

**DESPIECE
PEÇAS
SPARE PARTS**



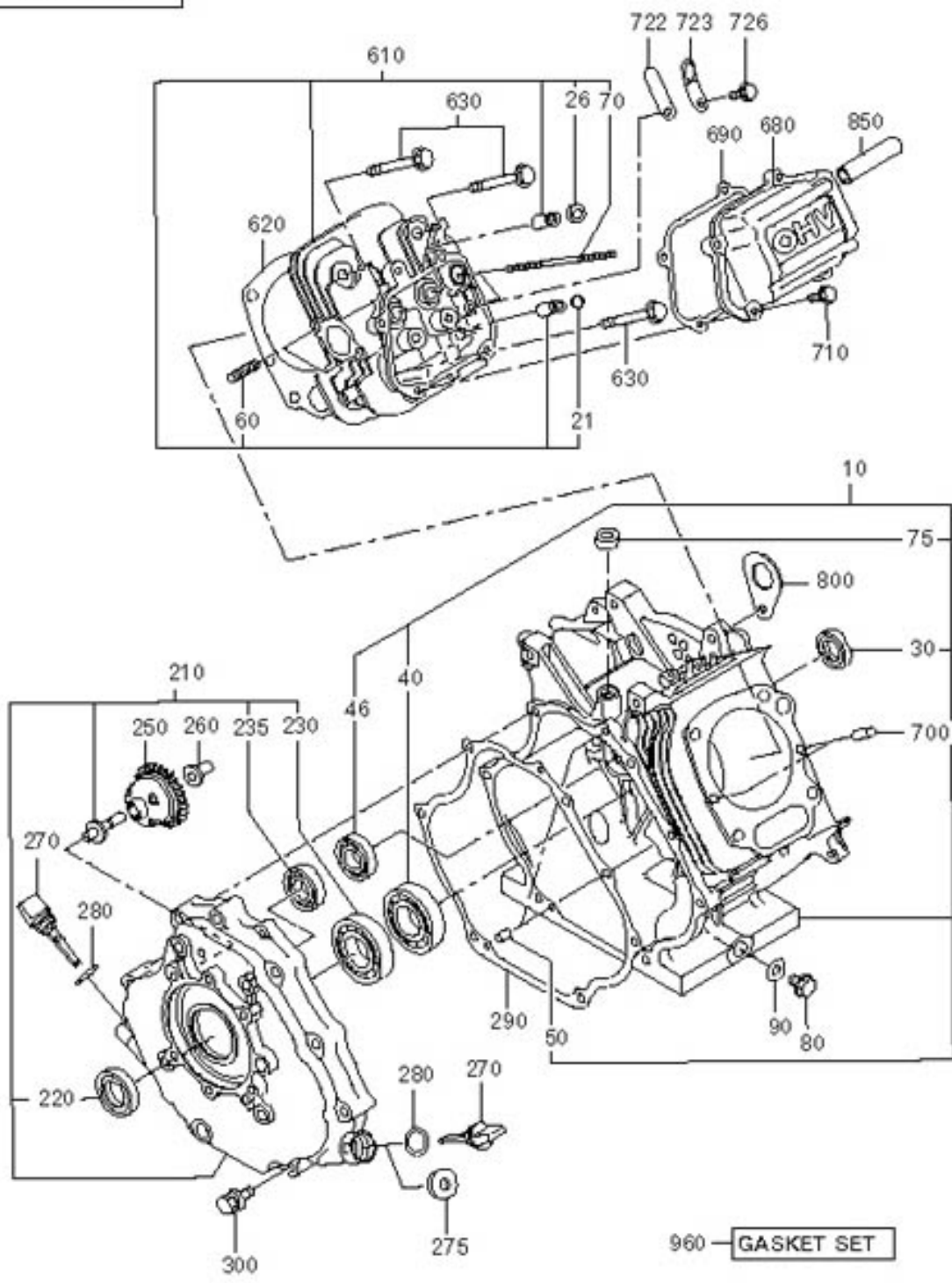
BENZA
www.benza.es



<i>Modelo</i> <i>Modêlo</i> <i>Model</i>	ES 6000CD
<i>Motor</i> <i>Motor</i> <i>Engine</i>	
<i>Alternador</i> <i>Alternador</i> <i>Alternator</i>	
<i>Chasis</i> <i>Chassis</i> <i>Chassis</i>	

EH410DS6230

FIG.100



1 CRANKCASE

REF.	PART NUMBER	PART NAME	QTY	R E M A R K S	CODE NO.	INTERCHANGE P/NO.	UNIT P	FIG.
10	267-10102-51	CRANKCASE CP	1		4993-	267-10102-61		100
	267-10102-41	CRANKCASE CP	1		4809-4992	267-10102-51		100
	267-10102-31	CRANKCASE CP	1		4565-4808	267-10102-41		100
	267-10102-21	CRANKCASE CP	1		4323-4564	267-10102-31		100
	267-10102-11	CRANKCASE CP	1		-4322	267-10102-21		100
21	056-51000-40	CLIP	1	10.4DX0.8D	-			100
26	132-07AA0-50	SEAL-INT VALVE	1		-			100
30	044-03500-90	OIL SEAL	1	35DX48DX8B	-			100
40	060-03500-10	BALL BEARING	1	35DX72DX17B	-			100
46	060-01500-10	BALL BEARING	1	15DX35DX11B	-			100
50	031-00600-20	DOWEL PIN	2	6DX14.5L	-			100
60	010-50802-90	STUD	2	M8X1.25X30L	-			100
70	010-50602-91	STUD	2	M6X1.0X115L	-			100
75	044-00800-10	OIL SEAL	1	8DX14DX4B	-			100
80	040-11400-30	PLUG	2	M14X1.5X20DX12L	-			100
90	021-11400-20	GASKET	2	14.1DX19DX2.3T	-			100
210	267-11002-31	MAIN BEARING COVER C	1		4901-	267-11002-41		100
	267-11002-21	MAIN BEARING COVER C	1		-4900	267-11002-31		100
220	044-03500-90	OIL SEAL	1	35DX48DX8B	-			100
230	060-03500-10	BALL BEARING	1	35DX72DX17B	-			100
235	060-01500-10	BALL BEARING	1	15DX35DX11B	-			100
250	267-45001-01	GOVERNOR GEAR CP	1	60DX36T N=28	-			100
260	205-41901-03	GOVERNOR SLEEVE	1	6DX9DX16DX26L	-			100
270	224-63601-03	OIL GAUGE	2	M22X1.5 L=64+25	-			100
280	021-32000-10	GASKET	2	20DX27DX1.5T RUBBER	-	021-32000-50		100
290	267-15101-13	GASKET(BEARING COVER	1	T=0.6	-			100
300	267-19999-03	FLANGE BOLT	7	M8X1.25X17DX40L	-			100
610	267-13001-21	CYLINDER HEAD CP	1		4688-	267-13001-31		100
	267-13001-11	CYLINDER HEAD CP	1		4323-4687	267-13001-31		100
	267-13001-01	CYLINDER HEAD CP	1		-4322	267-13001-31		100
620	267-15001-13	GASKET(HEAD)	1	T=0.2	4993-			100
	267-15001-03	GASKET(HEAD)	1	T=0.2	-4992	267-15001-13		100
630	011-01000-30	FLANGE BOLT	4	M10X1.25X19DX65L	-			100
680	267-15501-11	ROCKER COVER CP	1		4504-			100
	267-15501-01	ROCKER COVER CP	1		-4503	267-15501-11		100
690	267-15201-13	GASKET(ROCKER COV)	1	T=0.5	4323-			100
	267-15201-03	GASKET(ROCKER COV)	1		-4322	267-15201-13		100
700	031-00600-20	DOWEL PIN	2	6DX14.5L	-			100
710	011-00601-30	FLANGE BOLT	4	M6X1.0X14DX25L	-			100
722	267-16001-A3	LEAF VALVE	1		-	267-16001-13		100

FIG.100

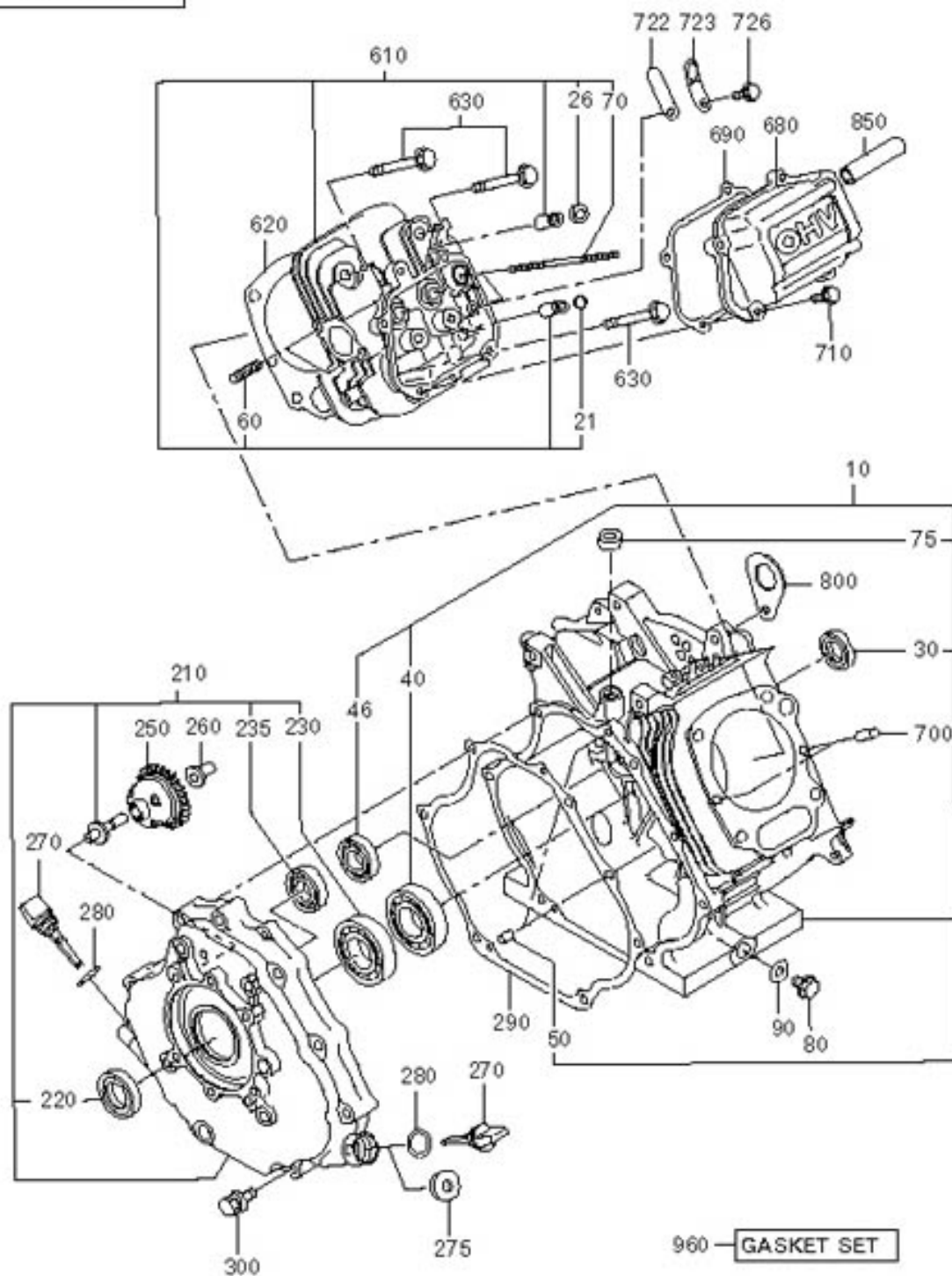
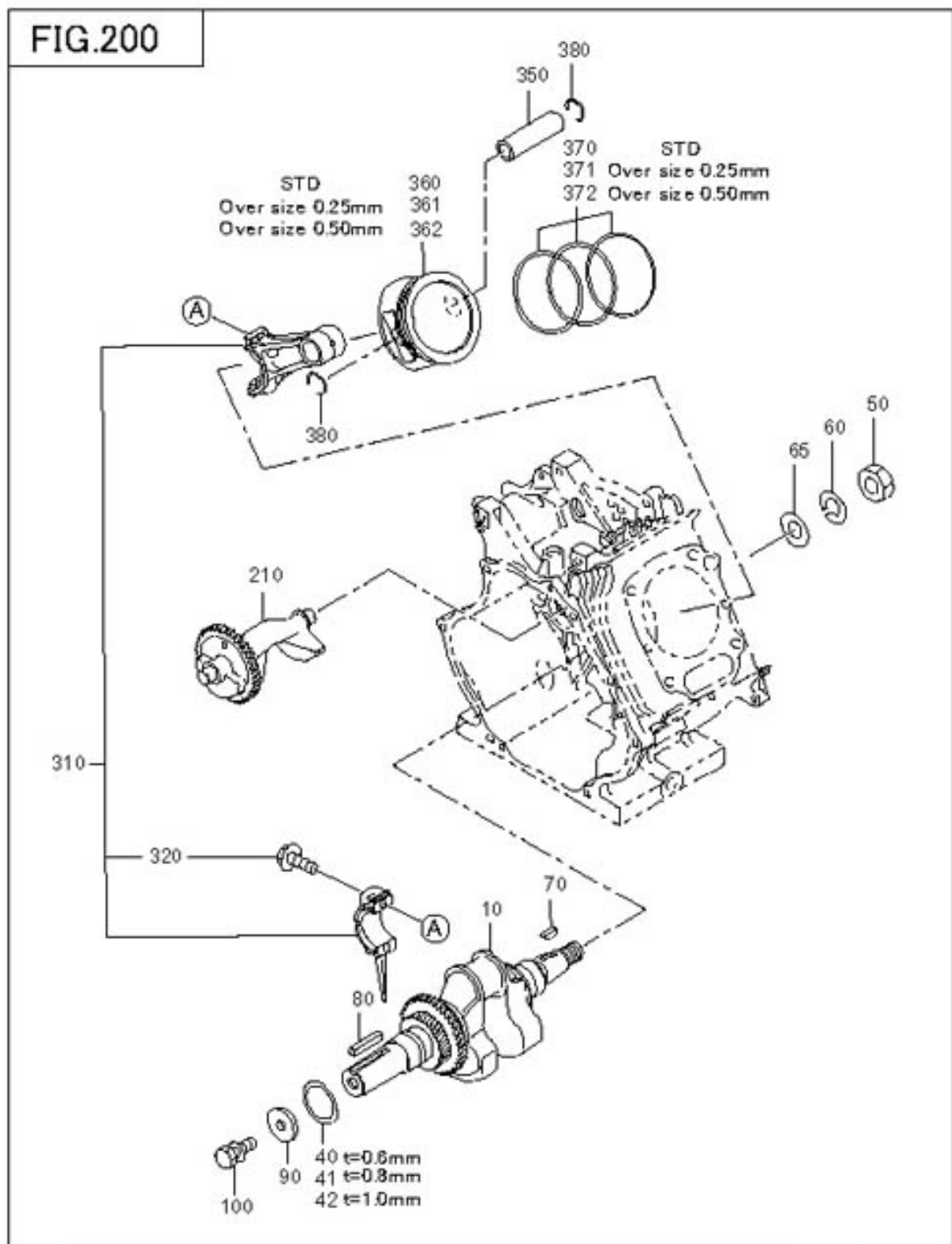


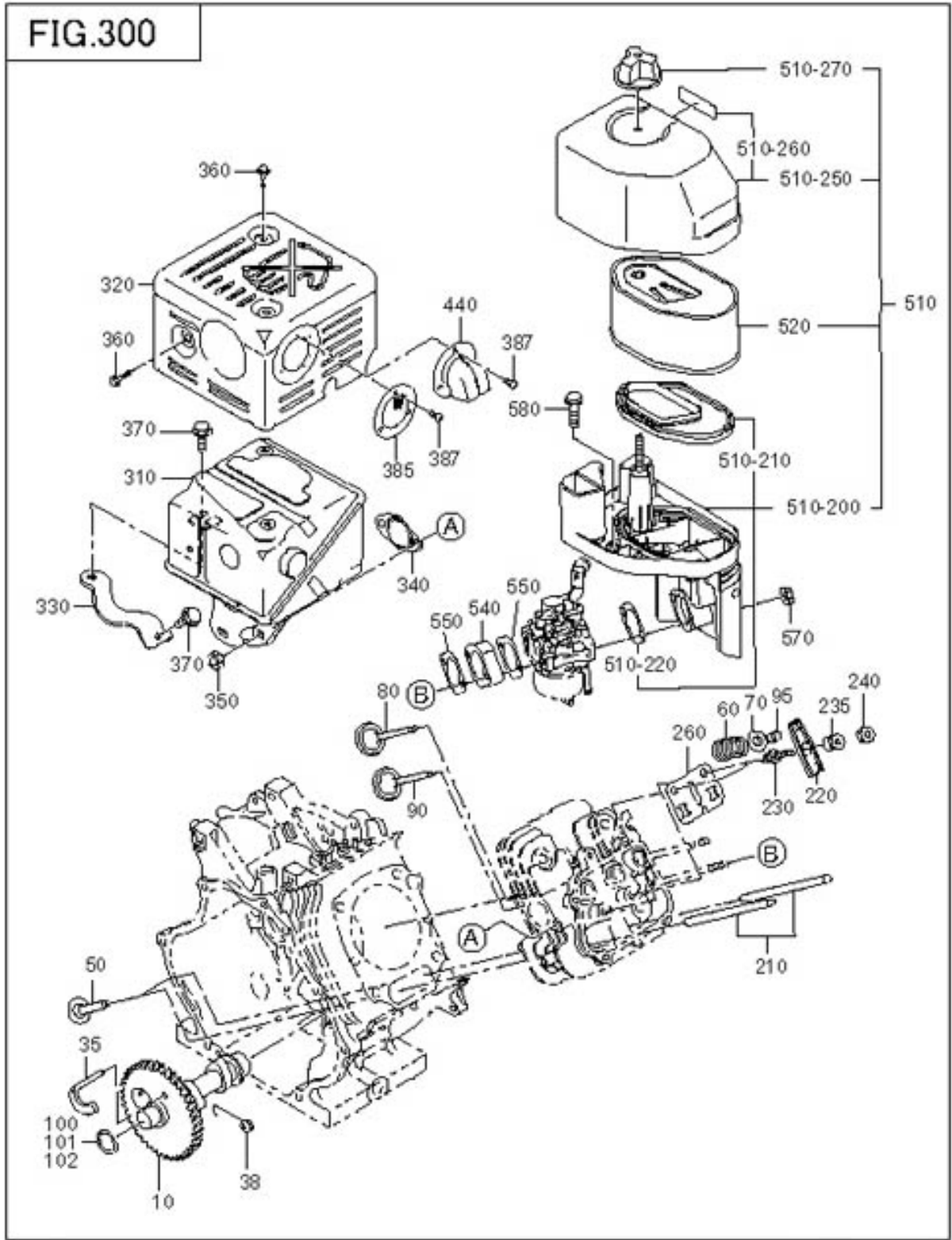
FIG.200



2 CRANKSHAFT,PISTON

REF.	PART NUMBER	PART NAME	QTY	R E M A R K S	CODE NO.	INTERCHANGE P/NO.	UNIT P	FIG.
10	267-21201-11	CRANKSHAFT CP	1		5115-			200
	267-21201-01	CRANKSHAFT CP	1		-5114			200
40	023-03501-60	SPACER	1	35.3DX45DX0.6T	-			200
41	023-03501-70	SPACER	1	35.3DX45DX0.8T	-			200
42	023-03501-80	SPACER	1	35.3DX45DX1.0T	-			200
50	002-18180-00	NUT	1		-			200
60	003-20180-00	SPRING WASHER	1		-			200
65	003-10180-00	WASHER	1		-			200
70	005-32054-01	WOODRUFF KEY	1		-			200
210	267-24101-13	BALANCER SHAFT	1	L=146 81DX8B N=38	4870-			200
	267-24101-03	BALANCER SHAFT	1	L=146 81DX8B N=38	-4869	267-24101-13		200
310	267-22501-00	CONNECTING ROD AY	1	110CDX31B 38D-21D	-	267-22501-10		200
320	001-05084-00	FLANGE BOLT	2		-			200
350	263-23301-03	PISTON PIN	1	21DX15DX64.2L	-	263-23301-23		200
360	267-23401-03	PISTON	1	STD(89DX55H)	-			200
361	267-23402-03	PISTON	1	0.25 O.S. (89DX55H)	-			200
362	267-23403-03	PISTON	1	0.50 O.S. (89DX55H)	-			200
370	267-23501-07	PISTON RING SET	1	STD(89D)	-			200
371	267-23502-07	PISTON RING SET	1	0.25 O.S. (89D)	-			200
372	267-23503-07	PISTON RING SET	1	0.50 O.S. (89D)	-			200
380	056-52100-20	CLIP	2	22.1DX1.4D	-			200

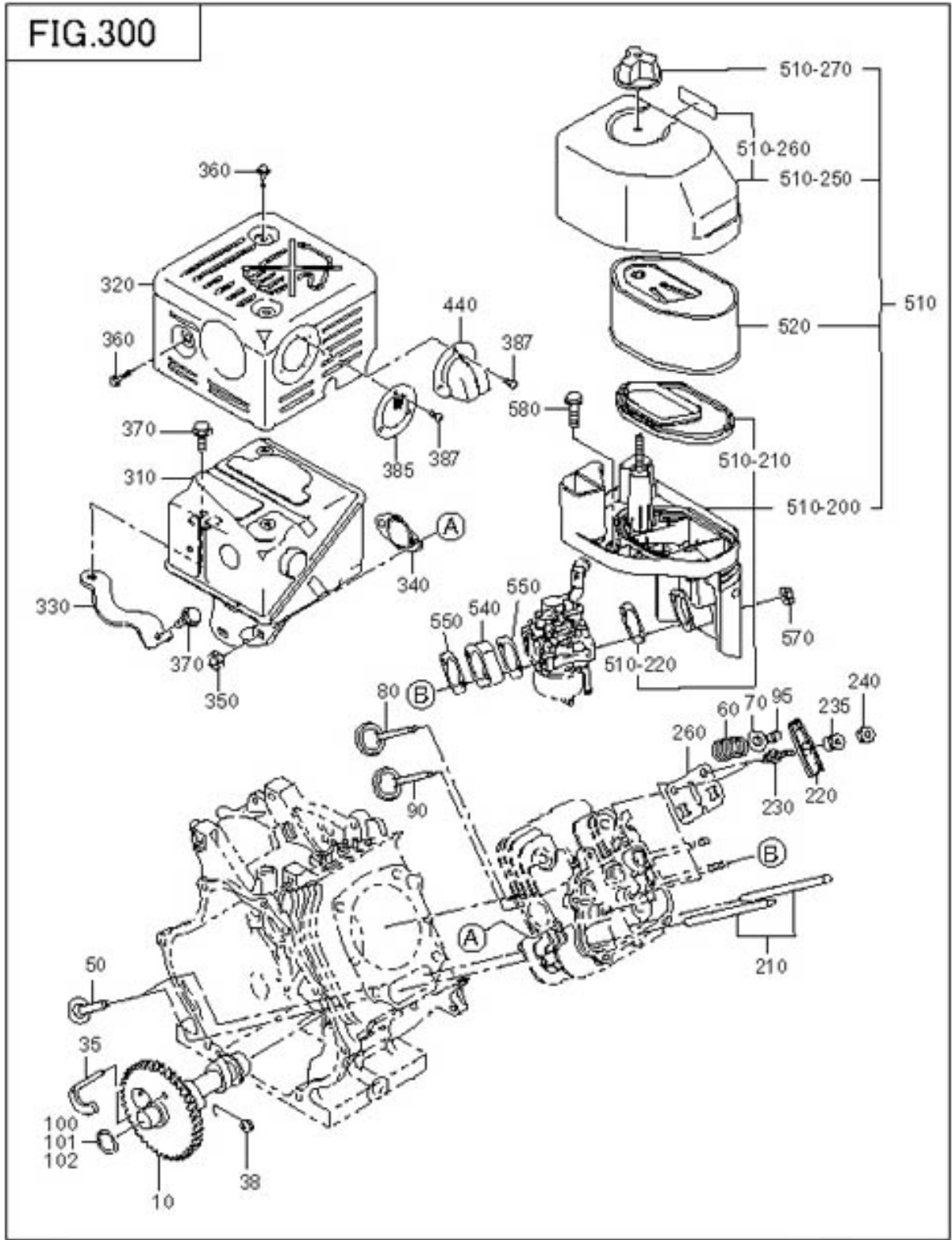
FIG.300



3 INTAKE, EXHAUST

REF.	PART NUMBER	PART NAME	QTY	R E M A R K S	CODE NO.	INTERCHANGE P/NO.	UNIT P	FIG.
10	267-31701-01	CAMSHAFT CP	1	L=142 109DX9.5B N=62	-			300
35	246-36201-11	RELEASE LEVER CP	1		4474-			300
	246-36201-01	RELEASE LEVER CP	1		-4473	246-36201-11		300
38	246-36701-03	RETURN SPRING	1	6.2DX0.3DX3L N=7.5	-			300
50	239-33301-13	TAPPET	2	26DX8DX48L	-			300
60	246-33611-03	VALVE SPRING	2	22.2DX2.9DX37L N=6.5	-			300
70	246-33711-03	SPRING RETAINER	2	7.6DX26DX8T	-	246-33711-13		300
80	263-33401-03	INTAKE VALVE	1	35DX6DX79.8L	-			300
90	263-33502-03	EXHAUST VALVE	1	31DX6DX80.3L	5054-	263-33502-13		300
	267-33501-03	EXHAUST VALVE	1	31DX6DX80.3L	4139-5053	263-33502-03		300
	263-33501-03	EXHAUST VALVE	1	31DX6DX80L	-4138			300
95	246-35501-03	COLLET-VALVE	4		-			300
100	023-02200-50	SPACER	1	22.2DX32.5DX0.6T	-			300
101	023-02200-60	SPACER	1	22.2DX32.5DX0.7T	-			300
102	023-02200-70	SPACER	1	22.2DX32.5DX0.8T	-			300
210	267-35301-B1	PUSH ROD CP	2	8DX158L	4443-	267-35301-C1		300
	267-35301-A1	PUSH ROD CP	2		-4442			300
220	267-36101-A3	ROCKER ARM	2		-	267-36101-13		300
230	261-35801-13	BOLT(PIVOT)	2		4657-			300
	261-35801-03	BOLT(PIVOT)	2		-4656	261-35801-13		300
235	261-35701-B3	PIVOT	2		-	261-35701-03		300
240	017-00601-10	NUT	2	M6X0.75X3.6H	-			300
260	267-36501-A3	GUIDE PLATE	1		-	267-36501-13		300
310	267-30101-02	MUFFLER UN	1		-	267-30101-12		300
320	267-34201-01	MUFFLER COVER CP	1		-			300
330	267-37001-01	MUFFLER BRACKET CP	1		-			300
340	246-35201-03	GASKET(MUFFLER)	1	T=0.2 30D 8.5DX52P	-			300
350	017-00800-30	NUT	2	M8X1.25X6.5H	-			300
360	015-20601-10	TAPPING SCREW	5	M6X13DX10L	4323-			300
	004-74061-03	TAPPING SCREW	5		-4322			300
370	001-04081-60	FLANGE BOLT	2		-			300
385	267-37101-02	TAIL SCREEN UN	1		-			300
387	015-00400-60	TAPPING SCREW	3	M4X6L	-			300
510	267-32601-20	AIR CLEANER AY	1		4750-			300
	267-32601-10	AIR CLEANER AY	1		-4749	267-32601-20		300
-200	267-35001-11	BASE CP.	1		-			300
-210	267-35004-03	PACKING	1		-			300
-220	270-32720-08	PACKING	1		-			300
-250	267-35002-11	COVER CP.	1		-			300
-260	267-35005-03	LABEL	1		-			300

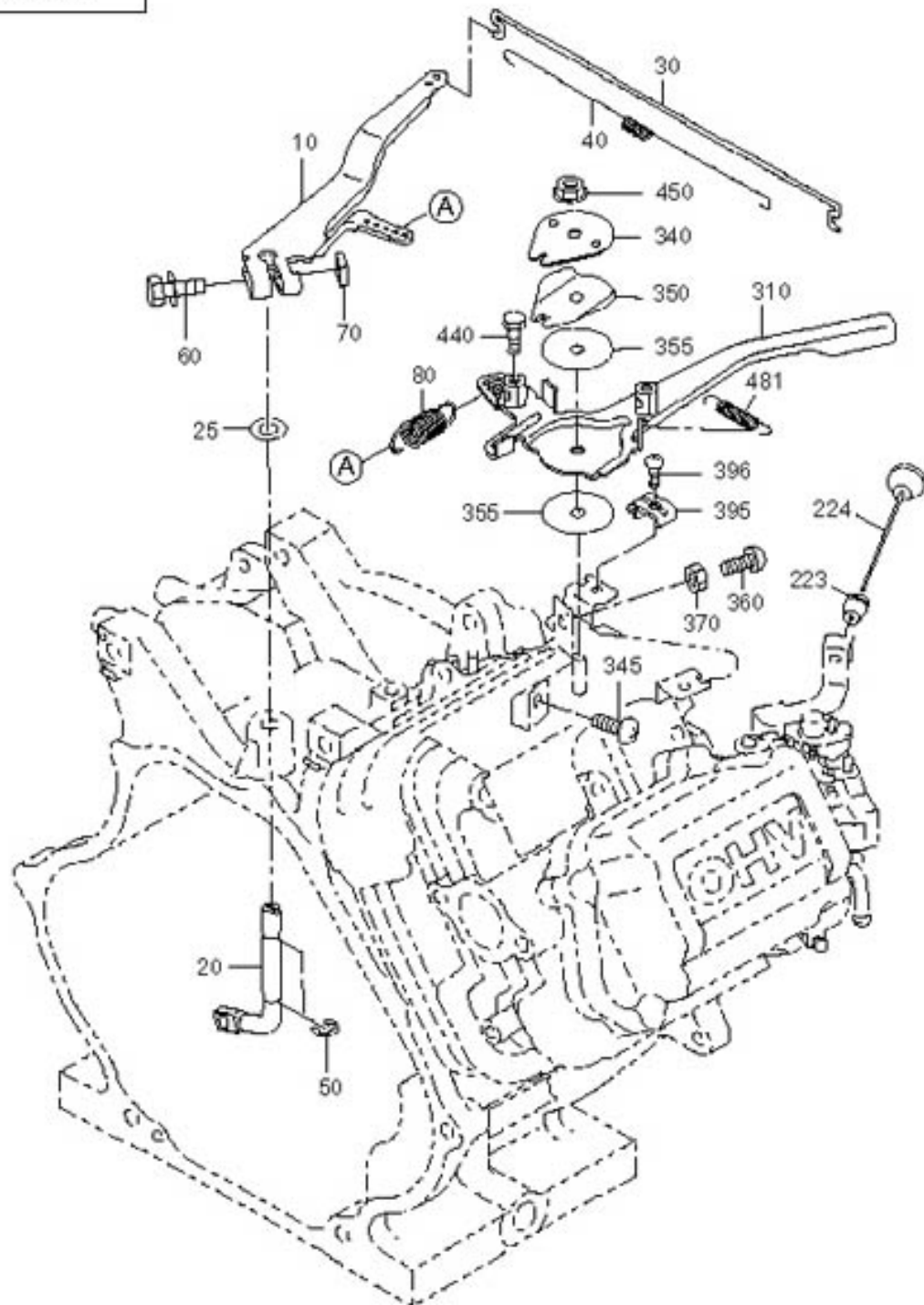
FIG.300



3 INTAKE, EXHAUST

REF.	PART NUMBER	PART NAME	QTY	R E M A R K S	CODE NO.	INTERCHANGE P/NO.	UNIT P	FIG.
-270	227-36523-03	CAP NUT	1		-			300
520	267-35003-11	CLEANER ELEMENT CP	1		4750-			300
	267-35003-01	CLEANER ELEMENT CP	1		-4749	267-35003-11		300
540	267-32901-03	INSULATOR	1	T=15 26.5D 6.5DX46P	-			300
550	267-35901-A3	GASKET(INSULATOR)	2	T=0.4 26.5D 6.5DX46P	-	267-35901-13		300
570	002-38060-00	FLANGE NUT	2		-			300
580	011-00601-01	FLANGE BOLT	1	M6X1.0X13DX28L	-			300

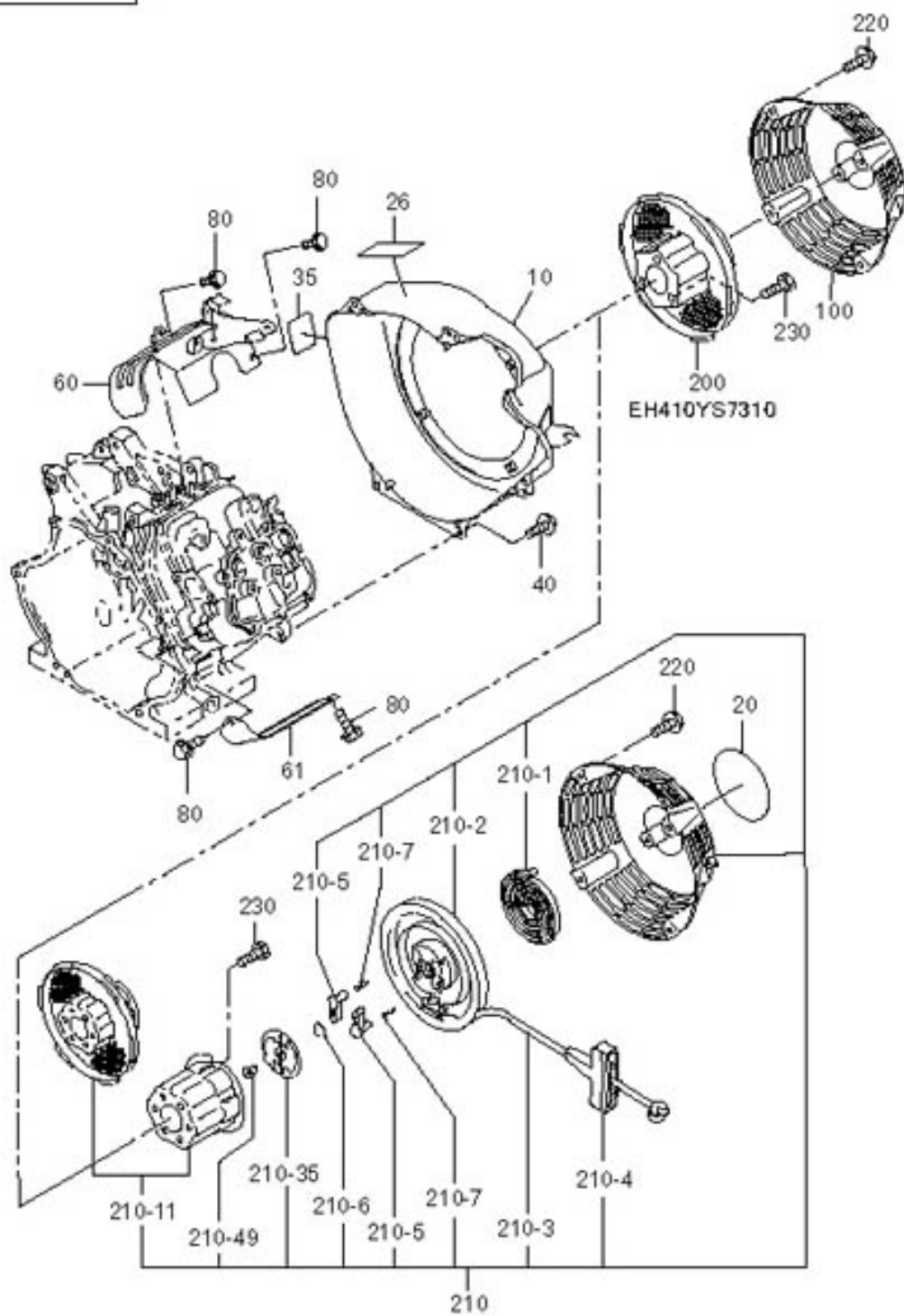
FIG.400



4 GOVERNOR OPERATION

REF.	PART NUMBER	PART NAME	QTY	R E M A R K S	CODE NO.	INTERCHANGE P/NO.	UNIT P	FIG.
10	267-42301-03	GOVERNOR LEVER	1		-	267-42301-13		400
20	267-42201-03	GOVERNOR SHAFT	1		-			400
25	003-11080-00	WASHER	1		-			400
30	267-42701-01	GOVERNOR ROD CP	1		-			400
40	267-42801-13	ROD SPRING	1	5.7DX0.4DX148L N=30.	4262-	267-42801-23		400
	267-42801-03	ROD SPRING	1		-4261			400
50	003-13060-00	CLIP	2		-			400
60	001-14063-00	BOLT AND WASHER AY	1		-			400
70	018-60600-20	NUT	1	M6X1.0X4.9H SQUARE	-			400
80	267-42501-03	GOVERNOR SPRING	1	11.3DX1.2DX40L N=12	-			400
223	024-10200-10	GROMMET	1	2DX6DX12H	-			400
224	246-45006-01	KNOB CP	1		-			400
310	267-43301-03	SPEED CONTROL LEVER	1		-			400
340	227-43501-13	STOP PLATE	1		-			400
345	004-31040-80	SCREW	1		-4352			400
350	227-45002-03	SPRING WASHER	1		-			400
355	021-70600-60	FRICTION WASHER	2	6.5DX33DX0.5T NYLON	-			400
360	004-31061-80	SCREW, PANHEAD	1		-	004-36061-80		400
370	002-27060-00	NUT	1		-			400
450	017-60600-20	SELF LOCK NUT	1	M6X1.0X13DX6.9H	-			400

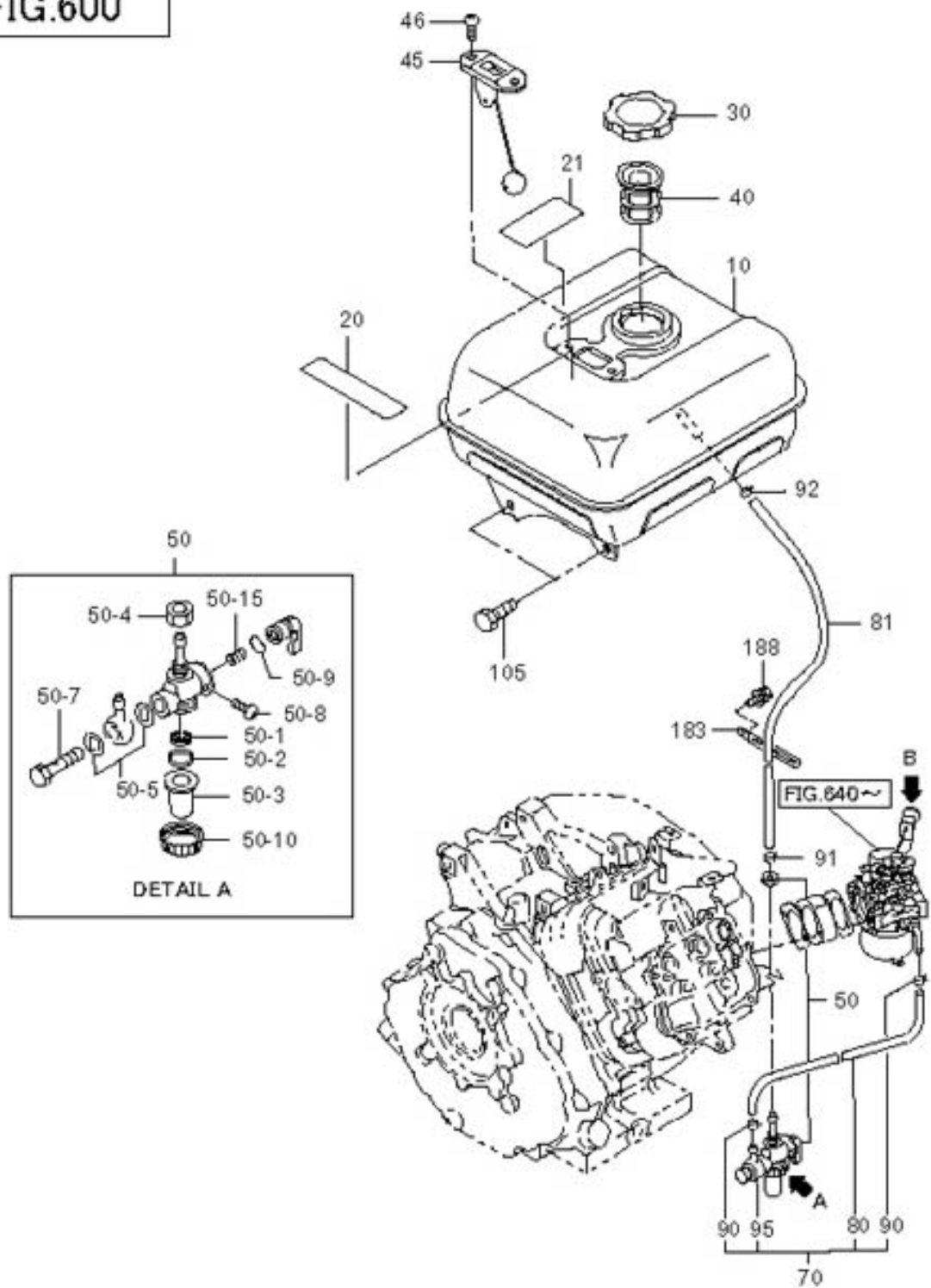
FIG.500



5 COOLING, STARTING

REF.	PART NUMBER	PART NAME	QTY	REMARKS	CODE NO.	INTERCHANGE P/NO.	UNIT P	FIG.
10	267-51201-01	BLOWER HOUSING CP	1	D ROBIN YELLOW	-			500
20	267-91701-03	LABEL (TRADE MARK)	1	88D	-			500
35	267-91862-03	LABEL (ENGINE NAME)	1	38X34 ENGLISH	-			500
40	011-00600-20	FLANGE BOLT	5	M6X1.0X14DX12L	-			500
60	267-52601-12	CYLINDER BAFFLE 1 UN	1		5023-			500
	267-52601-02	CYLINDER BAFFLE 1 UN	1		-5022	267-52601-12		500
61	267-52701-03	CYLINDER BAFFLE 2	1		-			500
80	011-00600-10	FLANGE BOLT	4	M6X1.0X14DX8L	-			500
210	267-50201-10	RECOIL STARTER AY	1	D 206PD	4780-			500
	267-50201-00	RECOIL STARTER AY	1		-4779	267-50201-10		500
- 1	261-50115-08	SPIRAL SPRING	1		-			500
- 2	246-50120-08	REEL	1		-			500
- 3	226-50113-08	STARTER ROPE	1		-			500
- 4	261-50100-08	STARTER KNOB	1		-			500
- 5	246-50125-08	RATCHET	2		-			500
- 6	246-50130-08	FRICTION SPRING	1		-			500
- 7	227-50135-08	RETURN SPRING	2		-			500
- 8	246-50160-08	RATCHET GUIDE	1		-			500
- 11	224-50150-08	STARTER PULLEY	1		-			500
- 49	227-50152-08	SET SCREW	1		-			500
220	011-00600-10	FLANGE BOLT	4	M6X1.0X14DX8L	-			500
230	001-65081-20	BOLT	3		-			500

FIG.600



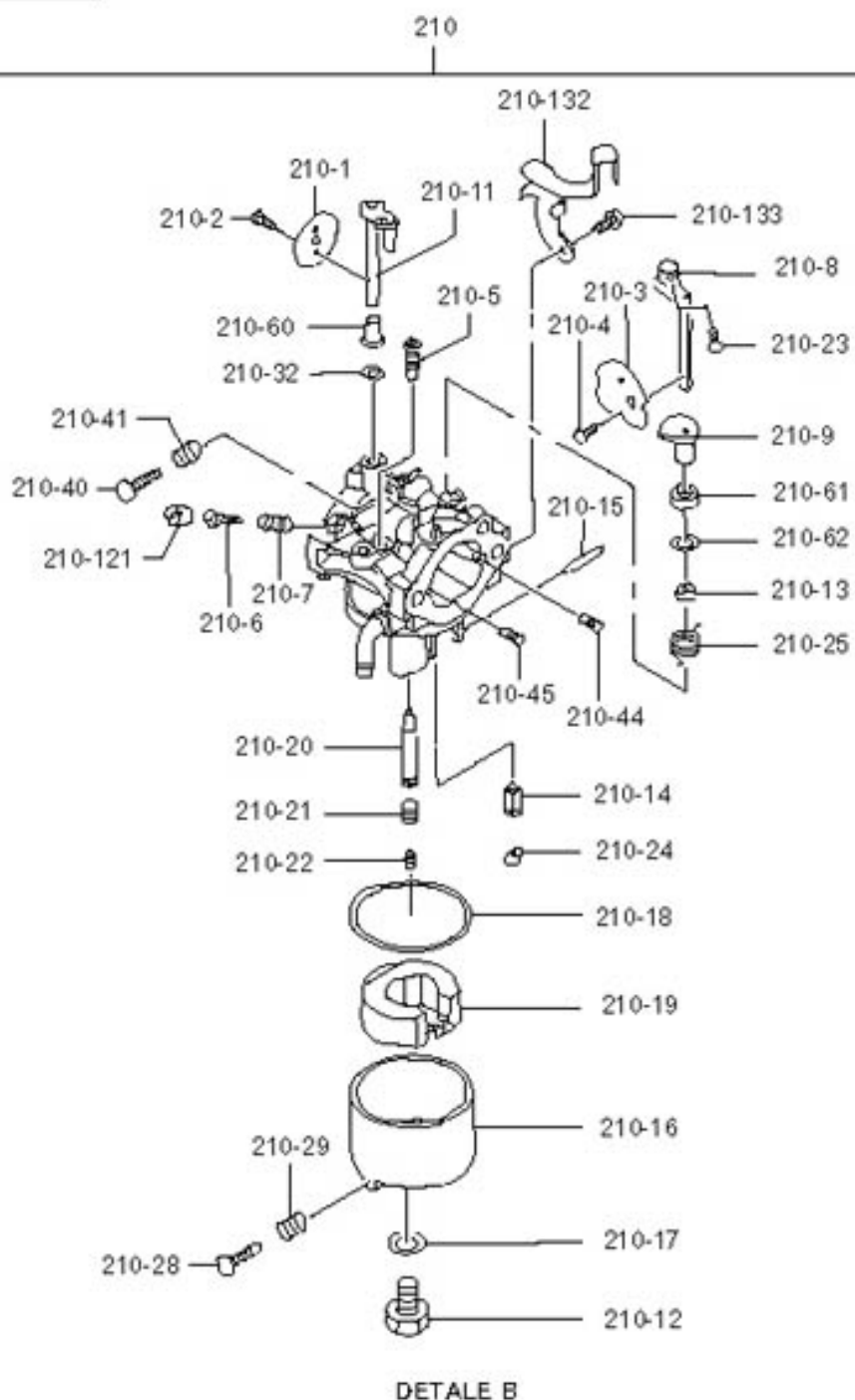
6 FUEL, LUBRICANT

REF.	PART NUMBER	PART NAME	QTY	R E M A R K S	CODE NO.	INTERCHANGE P/NO.	UNIT P	FIG.
10	267-60101-01	FUEL TANK CP	1	7L ROBIN YELLOW	-			600
20	073-20044-50	LABEL(CAUTION)	1	38X70 ILLUST	-			600
21	073-20039-00	LABEL(WARNING)	1	38X80 ENGLISH	-			600
30	043-04300-15	FUEL TANK CAP CP	1	42.5DX68DX14H	-			600
40	064-13600-10	FUEL FILTER	1	36DX46DX43H	-			600
50	064-20021-01	FUEL STRAINER AY	1		-			600
- 1	064-20002-20	FILTER	1		-			600
- 2	064-20002-30	GASKET	1		-			600
- 3	064-20019-10	CUP	1		-			600
- 4	064-20003-20	NUT	1		-			600
- 5	064-20002-50	FIBER GASKET	2		-			600
- 7	064-20002-40	BANJO BOLT	1		-			600
- 8	064-20027-90	BOLT	1		-			600
- 9	064-20003-30	O-RING	1		-			600
- 10	064-20024-10	LOCK NUT	1		-			600
- 15	064-20032-30	SPRING	1		-			600
70	224-62611-01	FUEL PIPE 11 CP	1	6DX12DX100L	-			600
80	085-10600-00	RUBBER PIPE	1	6DX12D	-			600
81	085-10600-00	RUBBER PIPE	1	6DX12D	-			600
90	056-11100-20	HOSE CLAMP	2	11.5DX8BX0.7T	-			600
91	056-11100-20	HOSE CLAMP	1	11.5DX8BX0.7T	-			600
92	056-11200-40	HOSE CLAMP	1	12DX8BX0.8T	-			600
95	052-10700-42	BANJO	1	7.2DX7.2DX25L	-			600
105	001-13082-00	BOLT & WASHER AY	4		-			600
210	267-62302-10	CARBURETOR AY	1		-			600
- 1	267-62535-08	THROTTLE VALVE	1		-			600
- 2	209-62351-08	SCREW	2		-			600
- 3	267-62525-08	CHOKE VALVE	1		-			600
- 4	237-62451-08	SCREW	2		-			600
- 5	227-62422-08	PILOT JET	1	#50	-			600
- 6	246-62436-08	PILOT SCREW	1		-			600
- 7	230-62446-08	SPRING	1		-			600
- 8	267-62520-08	CHOKE LEVER-A	1		-			600
- 9	239-62560-08	RING	1		-			600
- 11	267-62531-08	THROTTLE SHAFT A	1		-			600
- 12	150-62358-08	BOLT	1		-			600
- 13	226-62550-08	RING	1		-			600
- 14	224-62312-18	NEEDLE-A	1		-			600
- 15	214-62515-08	PIN	1		-			600
- 16	234-62552-08	FLOAT BODY-A	1		-			600

EH410DS6230

EX,RE,DH,OS,EPA, CE1

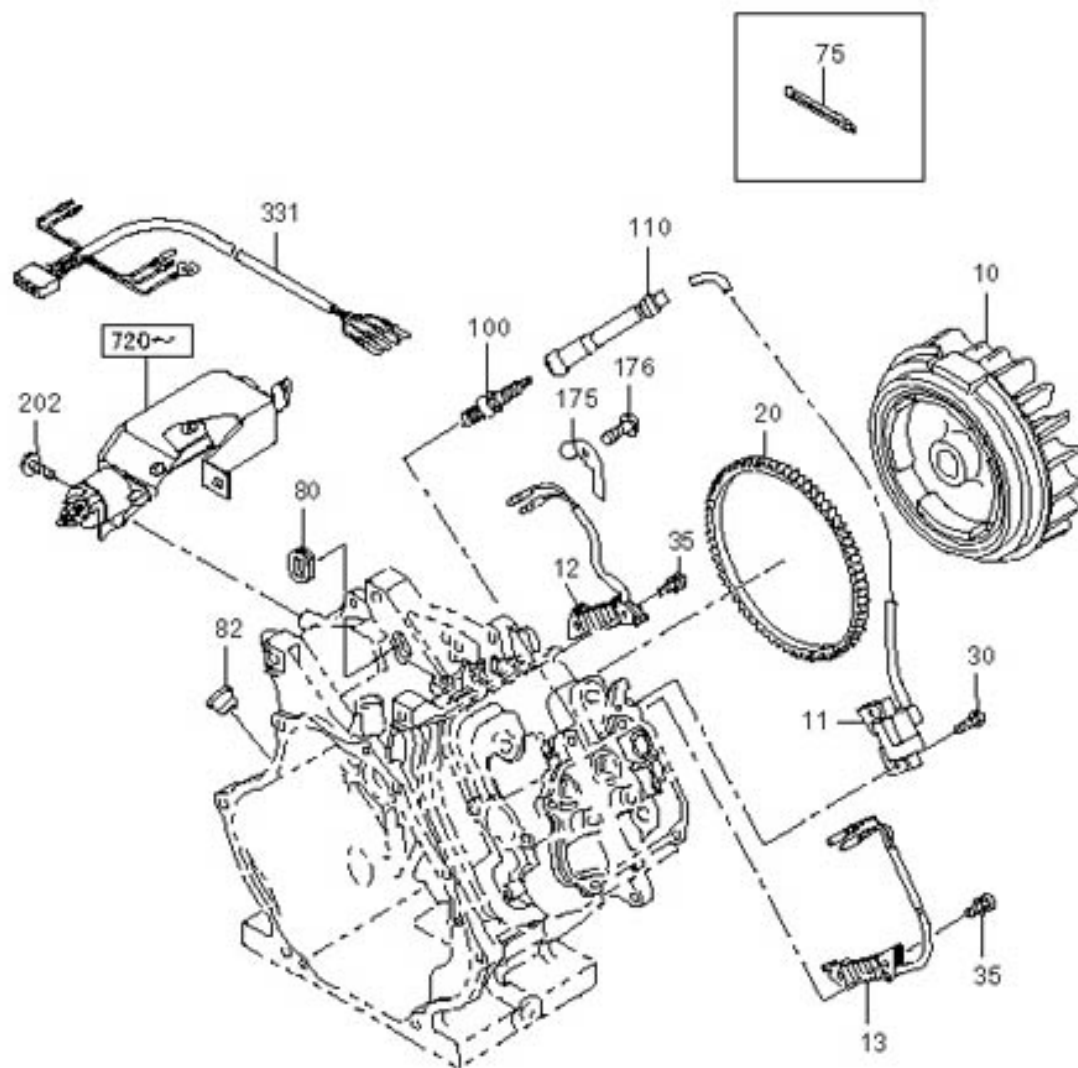
FIG.640



6 FUEL, LUBRICANT

REF.	PART NUMBER	PART NAME	QTY	R E M A R K S	CODE NO.	INTERCHANGE P/NO.	UNIT P	FIG.
- 17	207-62345-08	INSERT WASHER	1		-			600
- 18	206-62540-08	PACKING	1		-			600
- 19	234-62506-08	FLOT-A	1		-			600
- 20	267-62440-08	MAIN NOZZLE	1		-			600
- 21	246-62425-08	JET HOLDER	1		-			600
- 22	267-62402-08	MAIN JET	1		-			600
- 23	242-62323-08	SCREW	1		-			600
- 24	224-62569-18	CLIP	1		-			600
- 28	224-62450-08	SCREW	1		-			600
- 29	209-62445-08	SPRING	1		-			600
- 32	106-62392-08	SEAL	1		-			600
- 40	224-62452-08	SCREW	1		-			600
- 41	206-62446-08	SPRING	1		-			600
- 44	106-62411-08	AIR JET	1		-			600
- 45	246-62410-08	AIR JET	1		-			600
- 60	267-62450-08	RING	1		-			600
- 61	247-62550-08	CAP (CHOKE)	1		-			600
- 62	236-62680-08	SEAL	1		-			600
-121	246-62551-08	CAP	1		-			600
-132	267-62451-08	BRACKET	1		-			600
-133	267-62452-08	SCREW	1		-			600

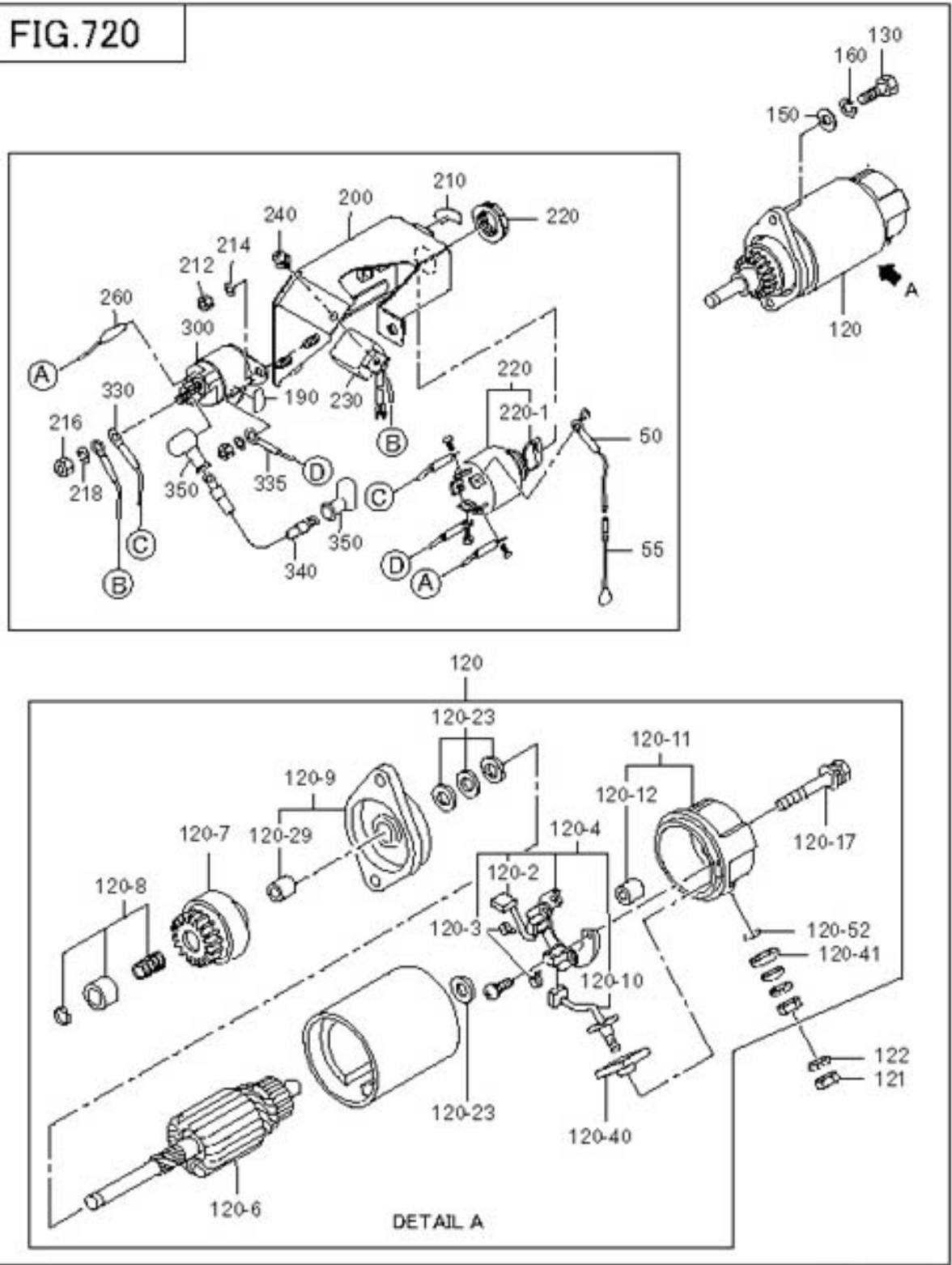
FIG.702



7 ELECTRIC DEVICE

REF.	PART NUMBER	PART NAME	QTY	R E M A R K S	CODE NO.	INTERCHANGE P/NO.	UNIT P	FIG.
11	267-79401-01	IGNITION COIL CP	1	MARK BM3748	-	267-79401-11		700
30	001-14062-50	BOLT AND WASHER AY	2		-			700
55	267-73101-01	WIRE 1 CP	1	L=330 BLACK	-			700
100	065-01404-80	SPARK PLUG	1	NGK BPR6ES	4262-			700
	065-01403-00	SPARK PLUG	1	NGK BP6ES	-4261			700
	RN9YC	SPARK PLUG	1	CHAMPION	4262-			700
	065-01414-40	SPARK PLUG	1	N9YC	-4261			700
110	065-50002-30	SPARK PLUG CAP	1		-			700

FIG.720



7 ELECTRIC DEVICE

REF.	PART NUMBER	PART NAME	QTY	R E M A R K S	CODE NO.	INTERCHANGE P/NO.	UNIT P	FIG.
10	267-79202-01	FLYWHEEL CP	1	MARK MF5120	-	267-79202-11		710
12	246-79301-01	CHARGE COIL CP	1		-			710
20	267-71002-03	RING GEAR	1	D 180DX217DX7B N=85	-			710
35	004-35062-00	SCREW & WASHER AY	2		-			710
50	224-73102-01	WIRE 3 CP	1	L=100 BLACK	-			710
80	226-75501-03	GROMMET	1	8DX14DX7.5H	-			710
120	224-70502-00	STARTING MOTOR AY	1		-			710
- 1	235-70560-08	YOKE AY	1		-			710
- 2	235-70535-08	BRUSH (+)	1		-			710
- 3	235-70545-08	SPRING (BRUSH)	2		-			710
- 4	235-70530-08	HOLDER AY (BRUSH)	1		-			710
- 6	235-70550-08	ARMATURE AY	1		-			710
- 7	224-70551-08	PINION AY	1		-			710
- 8	224-70553-08	STOPPER SET PINION	1		-			710
- 9	246-70500-08	COVER ASSY FRONT	1		-			710
- 10	235-70540-08	BRUSH (-)	1		-			710
- 11	246-70505-08	COVER AY REAR	1		-			710
- 12	113-70510-08	CASE METAL	1		-			710
- 17	235-70575-08	THROUGH BOLT	2		-			710
- 23	235-70555-08	WASHER KIT	1		-			710
- 29	214-70560-08	FRONT METAL	1		-			710
- 40	235-70565-08	M BUSH (1)	1		-			710
- 41	235-70566-08	M BUSH (2)	1		-			710
- 52	246-70580-08	O RING	1		-			710
121	002-27060-00	NUT	1		-			710
122	003-20060-00	SPRING WASHER	1		-			710
130	214-79007-01	BOLT CP, STARTER	2	M8X1.25X30L	-			710
150	003-10080-00	WASHER	2		-			710
160	003-20080-00	SPRING WASHER	2		-			710
175	246-75502-01	CLAMP CP	1		-			710
176	004-31060-80	SCREW, PANHEAD	1		-			710
190	073-20044-80	LABEL (BATTERY)	1		-			710
200	267-75101-01	CONTROL BOX CP	1		-			710
202	011-00600-20	FLANGE BOLT	1	M6X1.0X14DX12L	-			710
210	073-20044-60	LABEL (STARTER SWITCH	1		-			710
212	002-17050-00	NUT	2		-			710
214	003-20050-00	SPRING WASHER	2		-			710
216	002-27060-00	NUT	2		-			710
218	003-20060-00	SPRING WASHER	2		-			710
220	066-00003-30	SWITCH	1		-			710

FIG.720

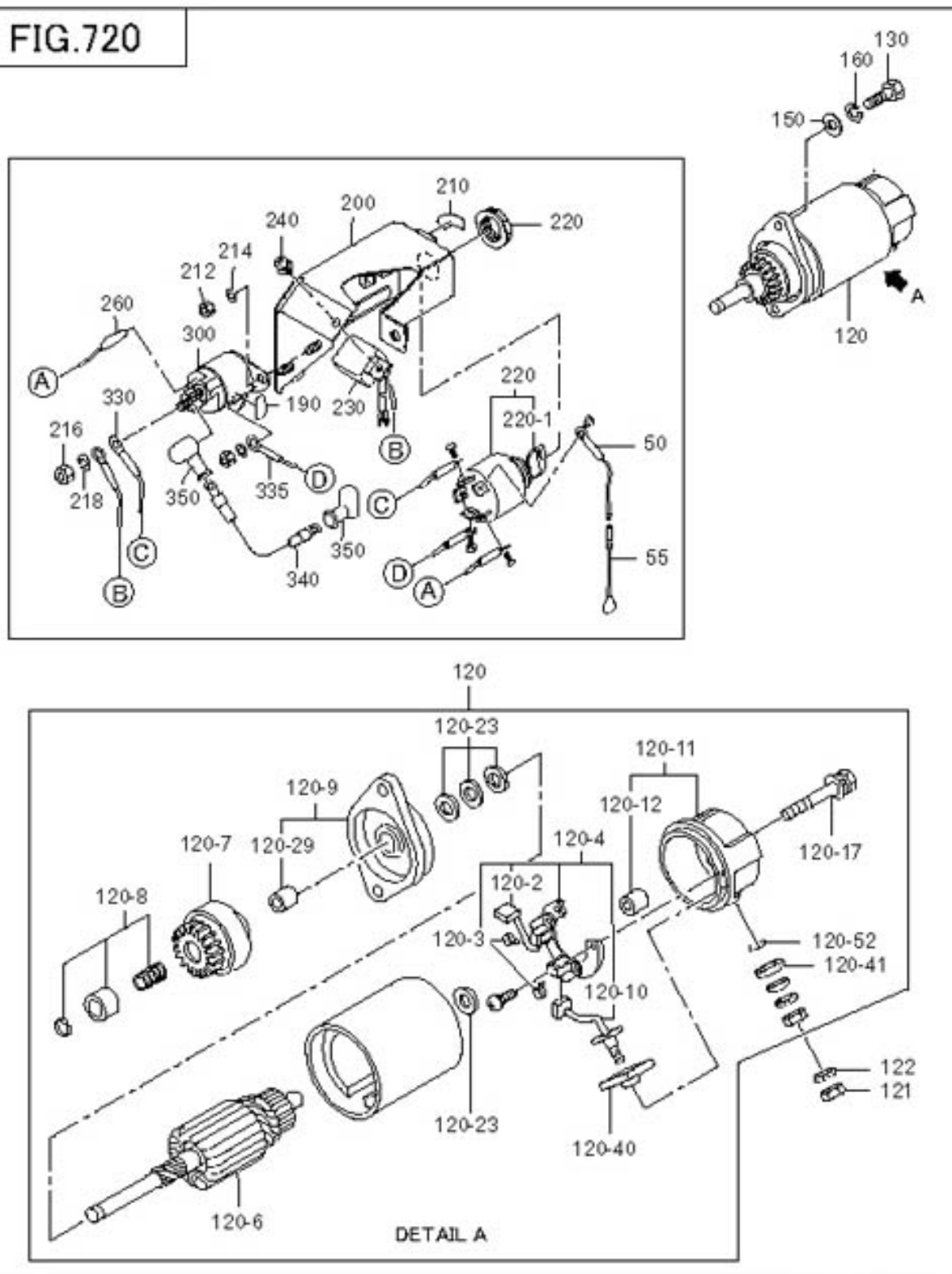


FIG.770

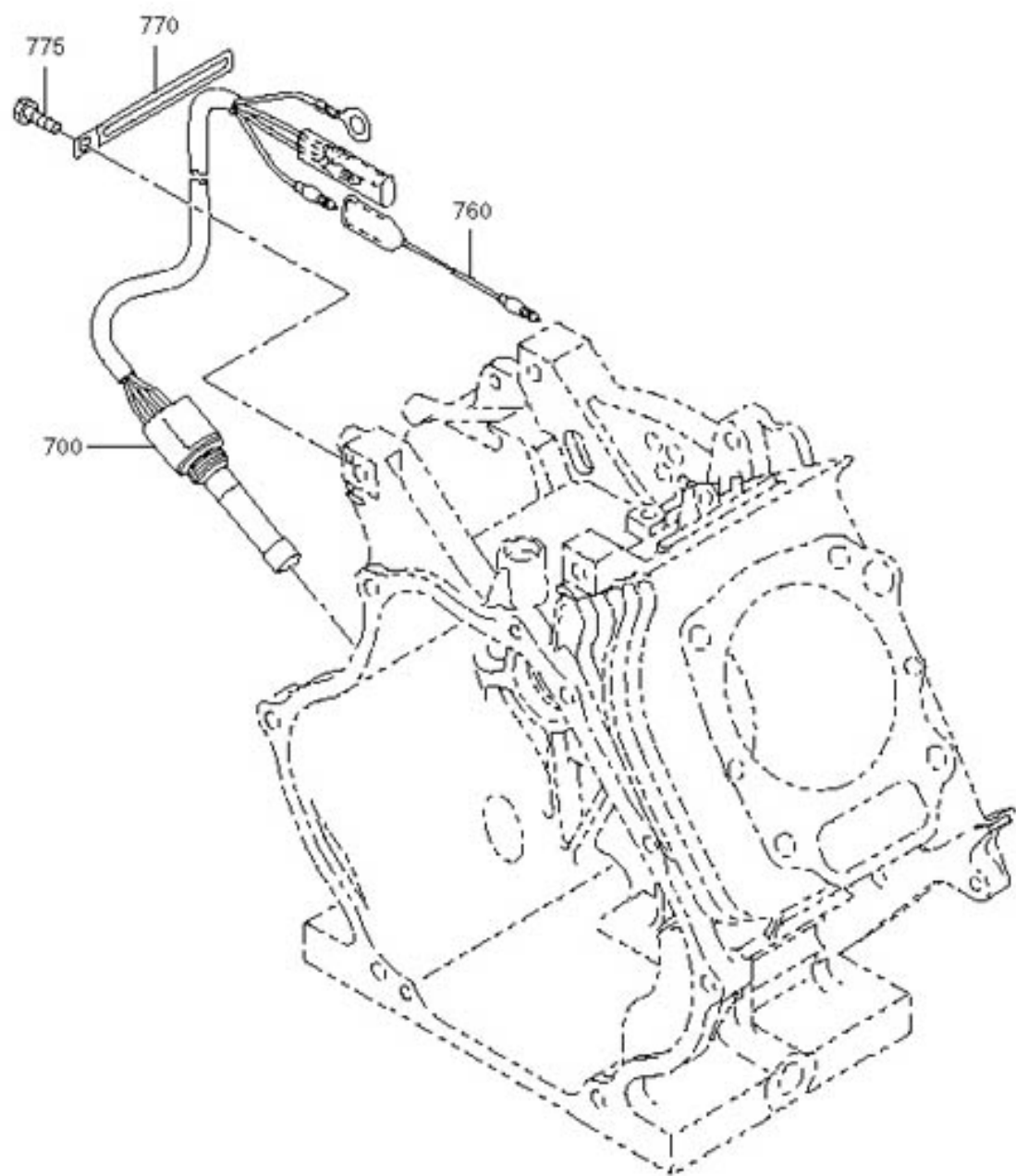
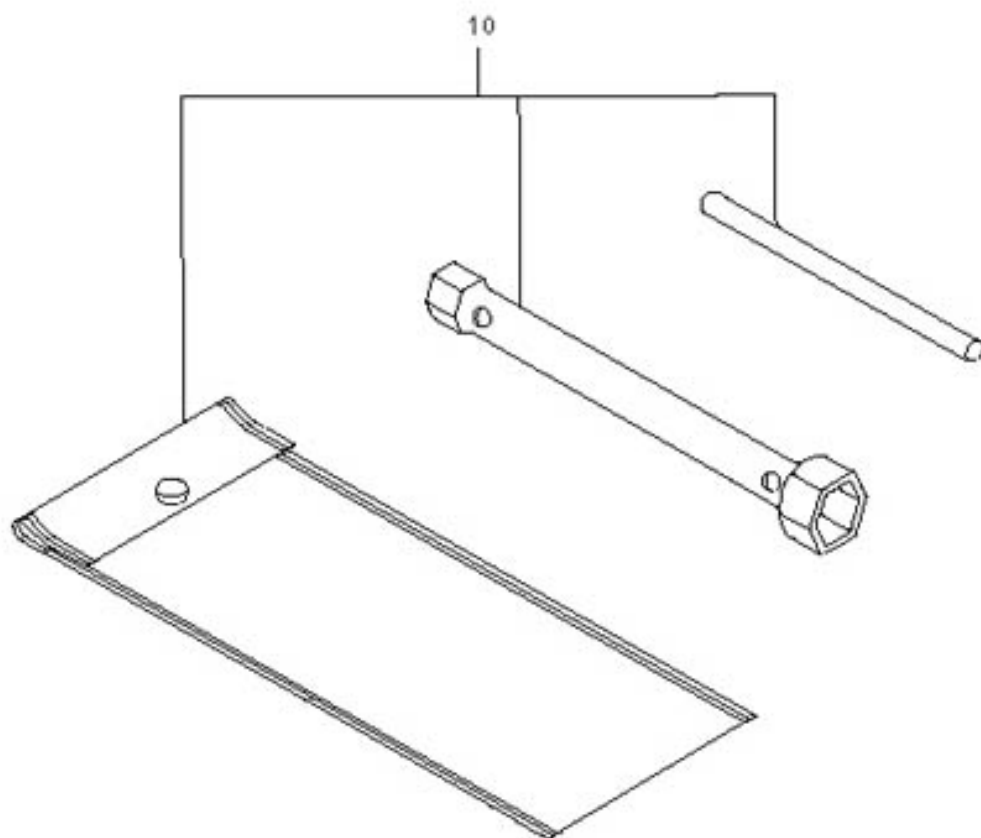


FIG.900





serie EK

MANUALE D'USO E MANUTENZIONE
USE AND MAINTENANCE MANUAL
MANUEL POUR L'EMPLOI ET L'ENTRETIEN
BEDIENUNGS - UND WARTUNGSANLEITUNG
MANUAL PARA EL USO Y MANTENIMIENTO



INFORMAZIONI GENERALI

Le presenti istruzioni hanno lo scopo d'indicare le corrette condizioni d'impiego e manutenzione dei generatori SINCRO.

VERIFICHE PRELIMINARI

Si raccomanda di esaminare l'alternatore per verificare che non abbia subito danni durante il trasporto.

IMMAGAZZINAGGIO

In caso di inutilizzo prolungato, l'alternatore deve essere immagazzinato in luogo asciutto e coperto.

Prima della messa in servizio, dopo lunghi periodi di inattività, controllare la bontà d'isolamento di tutti gli avvolgimenti; valori accettabili devono essere maggiori di 2 MΩ. In caso contrario si deve procedere all'essiccazione del solo alternatore in forno (60+80°C).

INSTALLAZIONE

Prima della messa in funzione, verificare la bontà dei collegamenti, e l'assenza d'impedimenti alla rotazione del rotore. Fare attenzione che le aperture per l'aspirazione e espulsione dell'aria non siano ostruite, evitare inoltre che l'alternatore aspiri l'aria calda espulsa dall'alternatore stesso e/o dal motore.

COLLEGAMENTO ELETTRICO

Rispettare le norme di sicurezza vigenti del paese d'utilizzo.

Verificare che i dati di targa siano conformi alle caratteristiche dell'impianto a cui la macchina verrà collegata.

Provvedere al collegamento a terra del gruppo.

MANUTENZIONE

Verificare che non ci siano anomalie, come vibrazioni - rumori - uscite d'aria ostruite.



ATTENZIONE!

Non toccare l'alternatore durante il funzionamento e subito dopo l'arresto del gruppo, in quanto vi potrebbero essere superfici a temperatura elevata

Le macchine elettriche rotanti sono macchine che presentano parti pericolose in quanto poste sotto tensione o dotate di movimento durante il funzionamento, pertanto:

- un uso improprio
- la rimozione delle protezioni e lo scollegamento dei dispositivi di protezione
- la carenza di ispezioni e manutenzione possono causare gravi danni a persone o cose.

Di conseguenza per ogni operazione di carattere elettrico o meccanico si richiede personale qualificato.

GENERAL INFORMATION

The object of these instructions is to indicate correct operating - maintenance conditions.

PRELIMINARY CHECKS

We recommend inspecting the alternator after shipping for damage.

STORAGE

In case the alternator is not installed immediately, it should be kept indoors in a dry place.

Before starting the alternator, after a long period of inactivity or storage, the insulation resistance of the winding must be measured. An acceptable value is at least 2 MΩ.

If this is not reached, only the alternator must be dried in an oven at 60 + 80 °C.

INSTALLATION

Before starting we recommended checking the connections and make sure that there is no obstacle to the rotation of the rotor.

Make sure that the air inlet and outlet are free from obstacles.

Prevent the alternator from sucking the warm air from the motor or itself.

ELECTRIC CONNECTION

The electric connection must be performed in accordance with the local regulations in force. Make sure that the rating plate data correspond to the specifications of the power mains to which the machine will be connected. Provide the unit with adequate grounding.

MAINTENANCE

Check periodically if there are any anomalies such as vibrations - noise - obstructions of inlets and outlets.



WARNING!

Never touch the alternator during operation or immediately after the stopping of the unit because some surface parts might still be very hot.

Electric rotating machines have dangerous parts: when operating they have live and rotating components. Therefore:

- improper use
- the removal of protective covers and the disconnection of protection devices
- inadequate inspection and maintenance can cause personal injury or property damage.

Electrical and mechanical servicing must be performed by qualified personnel only.

INFORMATIONS GENERALES

Le présent mode d'emploi a pour objet de donner les informations nécessaires à un emploi et à un entretien correct des générateurs SINCRO.

VERIFICATIONS PRELIMINAIRES

Contrôler l'état de l'alternateur afin de relever les dommages éventuels subis durant le transport.

STOCKAGE

En cas de non-utilisation prolongée de l'alternateur, ce dernier doit être stocké dans un lieu sec et à l'abri des agents atmosphériques.

Après une période de non-utilisation prolongée, la mise en service doit être précédée par un contrôle de l'isolement de tous les enroulements. Les valeurs acceptables doivent être supérieures à 2MΩ. Si tel n'est pas le cas, procéder à la dessiccation de l'alternateur dans un four (60+80°C).

INSTALLATION

Avant la mise en service, vérifier la qualité des connexions et qu'il n'existe aucun empêchement à la rotation du rotor.

S'assurer que les ouvertures pour la ventilation ne sont pas obstruées. Eviter que l'alternateur aspire ses propres émanations d'air chaud ou celles émises par le moteur.

CONNEXION ELECTRIQUE

Respecter les normes de sécurité en vigueur dans le pays d'installation. Vérifier la conformité des données de plaque aux caractéristiques de l'installation à laquelle la machine sera branchée. Effectuer la liaison du groupe avec la borne de terre.

ENTRETIEN

Vérifier périodiquement le bon fonctionnement du groupe afin de relever d'éventuelles anomalies comme, vibrations - bruits suspects - obstruction des sorties d'air.



ATTENTION!

Ne pas toucher l'alternateur lors de son fonctionnement et tout de suite après l'arrêt du groupe à cause d'un risque de température élevée des surfaces.

Les machines électriques rotatives présentent des parties dangereuses car elles sont sous tension ou dotées de mouvement. C'est pourquoi:

- Une utilisation non conforme,
- La violation des protections et le débranchement de ces dernières,
- Un manquement dans les contrôles et l'entretien,

peuvent causer de graves dommages aux personnes et aux matériels.

Toutes les opérations à caractère électrique ou mécanique demandent donc l'intervention de personnel qualifié.

ALLGEMEINE INFORMATIONEN

Diese Anleitung dient zur richtigen Verwendung und Wartung der SINCRO Generatoren.

VORPRÜFUNG

Es wird empfohlen, sich zu überzeugen, daß der Generator keinen Versandschaden erlitten hat.

LAGERUNG

Wenn man für eine lange Zeit den Generator nicht verwendet, soll er auf einer trockenen Stelle gelagert werden. Vor der Inbetriebsetzung ist es besser, die Isolierung aller Wicklungen zu prüfen; nur ein über $2\text{M}\Omega$ liegender Wert ist akzeptabel, sonst ist das Trocknen des Generators im Ofen ($60+80^{\circ}\text{C}$) erforderlich.

INSTALLATION

Vor der Inbetriebnahme, sind die Anschlüsse auf ihre guten Zustand zu prüfen, der Rotor soll hindernisfrei rotieren können. Sich überzeugen, daß die Öffnungen für die Luftansaugung und den Luftauslaß nicht verstopft sind.

Es ist zu vermeiden, daß der Wechselstromgenerator die vom Generator selbst bzw. vom Motor ausgestoßene Warmluft ansaugt.

ANSCHLUSS

Für den Anschluß die landesgültigen Unfallschutzvorschriften einhalten.

Sich überzeugen, daß die Daten des Schildes den Eigenschaften der Anlage entsprechen, an die die Maschine angeschlossen wird.

Für den Erdungsanschluß des Aggregats vorsehen.

WARTUNG

Es ist wichtig, daß keine Schwingungen, Geräusche, verstopfte Luftauslässe vorhanden sind.



ACHTUNG

Den Generator während des Betriebs und gleich nach dem Anhalten des Aggregats nicht anfassen, da die Flächen heiß sein könnten.

Elektrische Rotationsmaschinen weisen gefährliche Teile auf, die entweder unter Spannung stehen oder während des Maschinenbetriebs drehen.

Daher können:

- unsachgemäßer Gebrauch;
- Entfernen der Schutzverkleidungen und Überbrücken oder Abklemmen der Schutzeinrichtungen
- mangelhafte Inspektion oder Wartung zu schweren Personen- oder Sachschäden führen.

Daher soll jeder elektrische oder mechanische Eingriff von Fachpersonal vorgenommen werden.

INFORMACIONES GENERALES

Este manual ha sido recopilado con el objetivo de suministrar al usuario todas las indicaciones necesarias sobre el correcto empleo y mantenimiento de los alternadores SINCRO.

VERIFICACIÓN PRELIMINAR

Aconsejamos comprobar que el alternador no haya sufrido daños durante el transporte.

ALMACENAJE

En caso de largos períodos de inactividad, hay que almacenar el alternador en un lugar seco y cubierto.

Antes de la puesta en marcha, después de un periodo largo de inactividad, controlar el aislamiento de todos los bobinados, valores aceptables tienen que ser mayores de los $2\text{M}\Omega$. En caso contrario hay que secar sólo el alternador en horno ($60+80^{\circ}\text{C}$).

INSTALACIÓN

Antes de la puesta en marcha verificar el estado de las conexiones y comprobar que no hay nada que pueda impedir la rotación del rotor.

Controlar que los orificios de aspiración-expulsión del aire no están obstruidos, además evitar que el alternador aspire aire caliente evacuado por el mismo alternador y/o por el motor.

CONEXIÓN ELÉCTRICA

Respetar las normas de seguridad vigentes en el país de utilización.

Verificar que los datos de placa corresponden a las características de la red en el lugar de instalación de la máquina.

Efectuar la puesta a tierra del grupo.

MANTENIMIENTO

Comprobar que no hay anomalías como vibraciones, ruidos y salidas de aire obstruidas.



ATENCIÓN

Nunca tocar el alternador durante el funcionamiento o inmediatamente después de la parada del grupo, dado que hay superficies de temperatura elevada

Las máquinas eléctricas giratorias son máquinas que tienen piezas peligrosas ya que están bajo tensión o se mueven durante el funcionamiento. Por lo tanto:

- el uso inadecuado
- la remoción de las protecciones y la desconexión de los dispositivos de seguridad
- la falta de chequeo y mantenimiento, pueden causar daños graves a personas o cosas.

Por consiguiente, las operaciones de carácter eléctrico o mecánico deben llevarse a cabo únicamente por personas cualificadas.

ISTRUZIONI PER IL MONTAGGIO (FORMA IM B35)

ATTENZIONE: prima del montaggio verificare che le sedi coniche di accoppiamento (sia dell'alternatore che del motore) siano regolari e ben pulite.

- 1) Fissare lo scudo copriventola (3) al motore (dopo averlo tolto dall'alternatore).
- 2) Applicare il tirante (18) per il fissaggio assiale del rotore avvitandolo sulla sporgenza dell'albero motore.
- 3) Fissare l'alternatore completo (statore e rotore assieme) allo scudo usando i 4 tiranti M8 (17) e i dadi autobloccanti M8 (D)
- 4) Bloccare assialmente il rotore avvitando il dado autobloccante M8 (D) sul tirante (18).
Attenzione: prima di applicare il dado osservare che parte della porzione filettata del tirante entri nel rotore permettendo così un sicuro bloccaggio.
- 5) Montare il tappo (13).
Fissare le due griglie di protezione (1).
- 6) Supportare il gruppo con adeguati antivibranti (A) curando il corretto allineamento tra motore e alternatore

ASSEMBLY INSTRUCTIONS (IM B35 COUPLING)

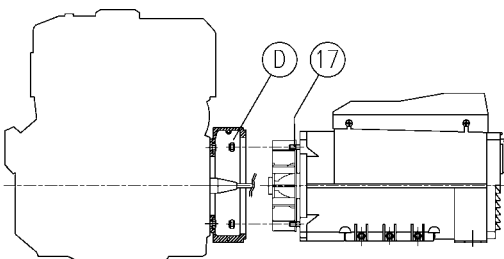
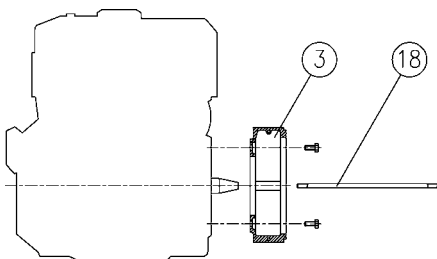
ON: before assembly make sure that the conical coupling housings for both the alternator and the motor are in order and clean.

- 1) Clamp the fan shield (3) on the drive motor (after removing it from the alternator).
- 2) Apply the tie rod (18) for the axial clamping of the rotor, and screw it on the drive shaft.
- 3) Fasten the complete alternator (stator and rotor together) to its shield, using the 4 tie rods M8 (17) and the M8 (D) self-locking nuts.
- 4) Axially lock the rotor in place by tightening the M8 (D) self-locking nut on the tie rod (18).
Caution: before applying the nut, make sure that the threaded part of the rod partially enters the rotor in order to obtain tight locking.
- 5) Fasten the tap (13).
Fasten the protection grid (1).
- 6) Support the unit on appropriate vibration dampeners (A) taking care on the alignment between engine and alternator.

INSTRUCTIONS POUR LE MONTAGE (FORME IM B35)

ATTENTION: Avant d'effectuer le montage, vérifier que les sièges coniques d'accouplement (de l'alternateur comme du moteur) sont en ordre et bien nettoyés.

- 1) Fixer le bouclier couvre-rotor (3) au moteur (après l'avoir désolidarisé de l'alternateur).
- 2) Mettre en place la tige (18) de fixation axiale du rotor en la vissant à l'ergot de l'arbre moteur.
- 3) Fixer l'alternateur (complet avec stator et rotor) au bouclier au moyen de 4 tiges M8 (17) et les écrous autobloquants M8 (D).
- 4) Bloquer l'axe du rotor en serrant l'écrou autobloquant M8 (D) sur la tige centrale (18).
Attention: Avant de mettre en place l'écrou, contrôler que la partie filetée de la tige est insérée dans le rotor permettant ainsi un blocage sûr.
- 5) Fixer le bouchon (13).
Fixer les deux grilles de protection (1).
- 6) Soutenir le groupe avec des amortisseurs de vibrations (A) en faisant attention que le moteur et l'alternateur soient dans le même axe.



REGOLAZIONE DELLA VELOCITA'

La frequenza e la tensione dipendono direttamente dalla velocità di rotazione, la quale deve quindi rimanere il più possibile costante al variare del carico.

Considerando che il sistema di regolazione della velocità dei motori di trascinamento presenta in generale una leggera caduta di giri tra vuoto e carico, si raccomanda di regolare la velocità a vuoto circa il 3-4% superiore alla velocità nominale.

Con questa regolazione la tensione erogata dall'alternatore a vuoto risulta circa il 5% superiore al valore nominale.

SPEED ADJUSTMENT

Frequency and voltage depend directly on the speed of revolution, which must therefore remain as constant as possible when the load varies.

The speed adjustment system of the drive motors usually gives a slight drop in revolutions between no load and load, so when the no load speed is being adjusted, it is best to set it at approx. 3-4% above the rated speed.

With this adjustment the no load voltage supplied by the alternator will be about 5% over its rated value.

RÉGLAGE DE LA VITESSE

La fréquence et la tension dépendent directement de la vitesse de rotation qui doit rester le plus possible constante quand la charge varie.

Vu que le système de réglage de la vitesse des moteurs d'entraînement présente en général une légère baisse du nombre de tours à vide ou en charge, il est conseillé de régler la vitesse à vide à une valeur supérieure de 3 à 4% par rapport à la vitesse nominale.

Avec ce réglage, la tension générée par l'alternateur à vide est supérieure d'environ 5% par rapport à la vitesse nominale.

MONTAGEANLEITUNG (IMB35 ANSCHLUSS)

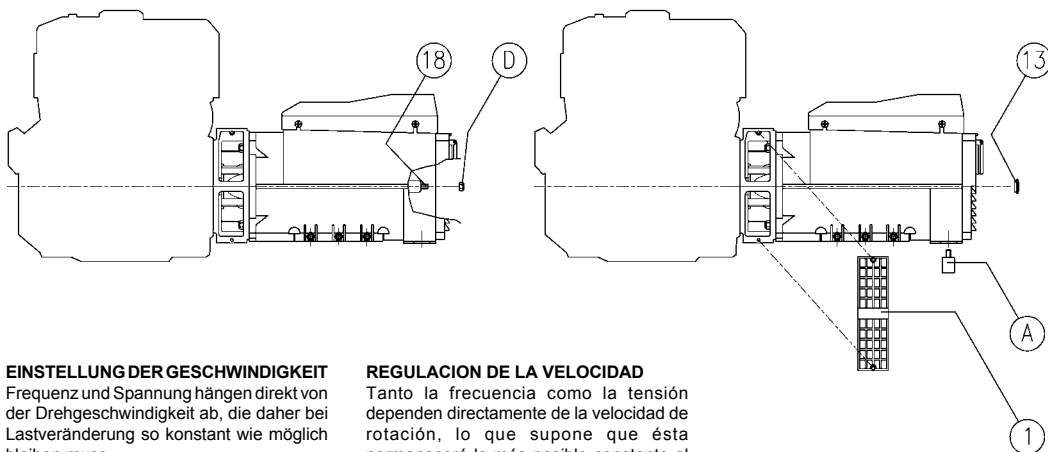
ACHTUNG: Sich vor dem Einbau überzeugen, daß die kegelförmigen Kupplungssitze (sowohl des Generators als auch des Motors) regelmässig und sauber ist.

- 1) Das Flügelrad-Abdeckschild (3) am Motor befestigen (nachdem es vom Generator entfernt wurde).
- 2) Die Spannstange (18) für die Längsbefestigung des Rotors anbringen und sie auf der Vorkragung der Motorwelle festschrauben.
- 3) Den vollständigen Generator (Stator und Rotor zusammen) mit den 4 Spannstangen M8 (17) und den selbstsperrenden M8 Muttern (D) am Kasten befestigen.
- 4) Den Rotor axial blockieren, und die selbstsperrende M8 Mutter (D) an die Spannstange (18) anzuschrauben.
Achtung: bevor die Mutter angebracht wird, beachten, dass ein Teil des Gewindes der Spannstange in den Rotor eintritt und dadurch eine sichere Blockierung ermöglicht.
- 5) Den Stopfen (13) montieren.
Den zwei Schutzgitter (1) montieren.
- 6) Das Aggregat mit geeigneten Schwingungsdämpfern (A) stützen, dabei die korrekte Ausrichtung zwischen Motor und Generator beachten.

INSTRUCCIONES DE MONTAJE (ACOPLAMIENTO IMB35)

AVISO: Antes del montaje cerciorarse de que los asientos cónicos de acoplamiento (tanto del alternador como del motor) son regulares y limpios.

- 1) Fijar el escudo cubreventilador (3) al motor (después de haberlo sacado del alternador).
- 2) Aplicar el tirante (18) para la fijación axial del rotor enroscándolo en la parte saliente del eje motor.
- 3) Fijar el alternador completo (estator y rotor juntos) en el escudo utilizando los 4 tirantes M8 (17) y las tuercas de seguridad M8 (D).
- 4) Bloquear axialmente el rotor enroscando la tuerca autobloqueante M8 (D) en el tirante (18).
Aviso: para realizar un bloqueo seguro, antes de aplicar la tuerca hacer entrar una parte de la pieza fileteada del tirante en el rotor.
- 5) Montar el tapón (13).
Fijar las dos rejillas de protección (1)
- 6) Sostener el grupo con antivibradores (A) adecuados cuidando de que el motor y el alternador se encuentren correctamente alineados.



EINSTELLUNG DER GESCHWINDIGKEIT

Frequenz und Spannung hängen direkt von der Drehgeschwindigkeit ab, die daher bei Lastveränderung so konstant wie möglich bleiben muss.

Unter Berücksichtigung, dass das Regulierungssystem der Geschwindigkeit der Mitnehmermotoren im allgemeinen einen leichten Drehzahlabfall zwischen Leerlauf und Last aufweist, wird empfohlen, die Leerlaufgeschwindigkeit auf ca. 3+4% höher als die Nenngeschwindigkeit einzustellen.

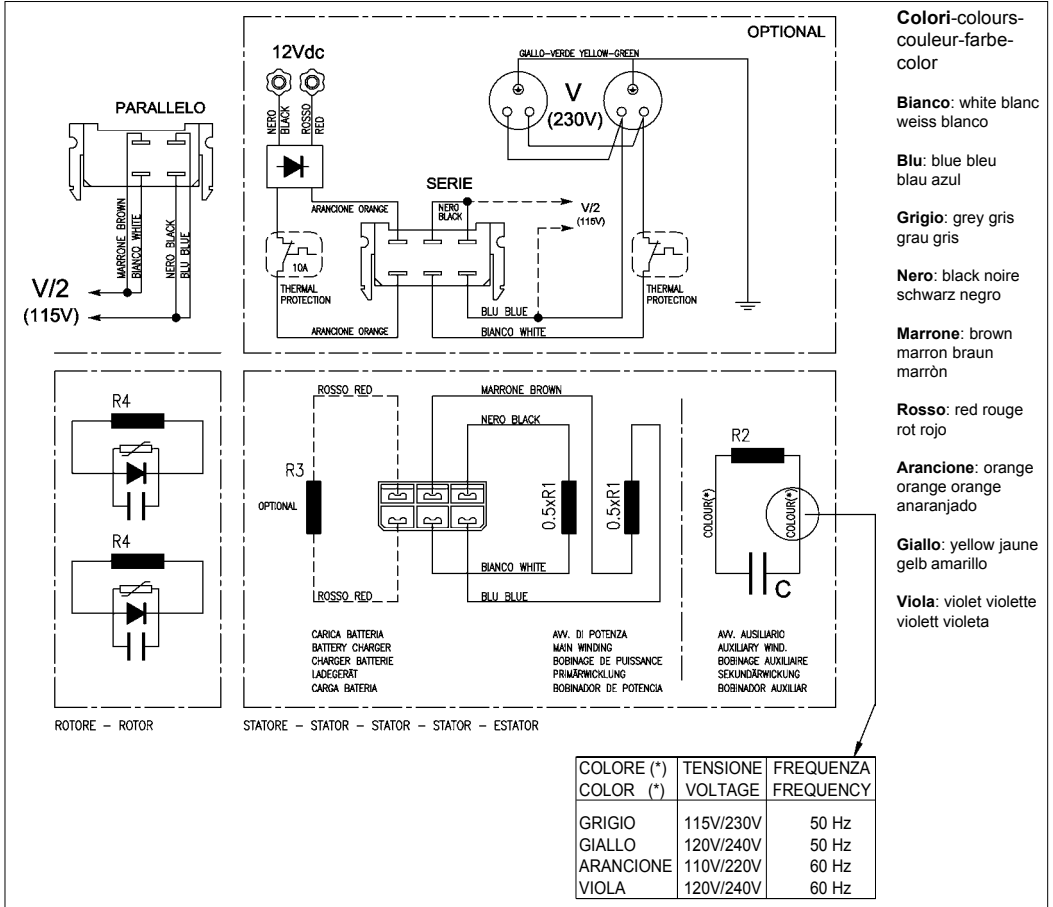
Mit dieser Regulierung wird die vom Wechselstromgenerator bei Leerlauf gelieferte Spannung ca. 5% höher als der Nennwert sein.

REGULACIÓN DE LA VELOCIDAD

Tanto la frecuencia como la tensión dependen directamente de la velocidad de rotación, lo que supone que ésta permanecerá lo más posible constante al variar la carga.

Dado que el sistema de regulación de la velocidad de los motores de arrastre presenta una ligera disminución de revoluciones entre vacío y cargado, se recomienda regular la velocidad en vacío alrededor del 3+4% superior a la velocidad nominal.

De hacerlo así, la tensión suministrada por el alternador en vacío resultará de casi el 5% superior al valor nominal.



COLORE (*) COLOR (*)	TENSIONE VOLTAGE	FREQUENZA FREQUENCY
GRIGIO	115V/230V	50 Hz
GIALLO	120V/240V	50 Hz
ARANCIONE	110V/220V	60 Hz
VIOLA	120V/240V	60 Hz

Resistenze degli avvolgimenti a 20°C

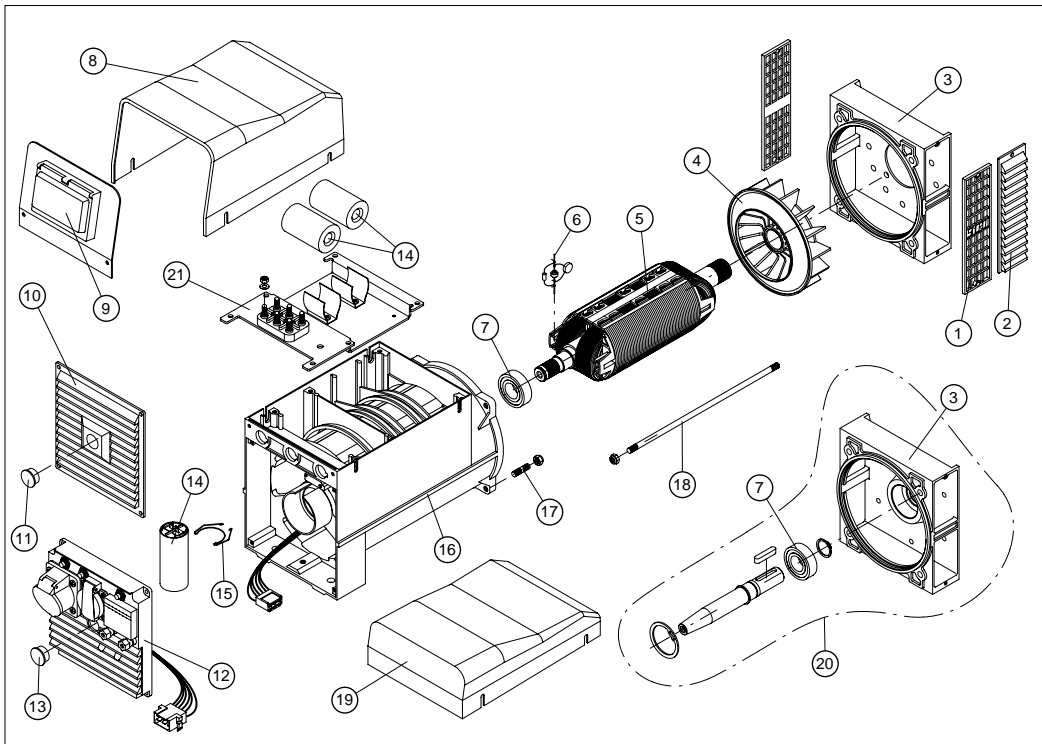
Winding resistances at 20°C

Résistances bobines à 20°C

Widerstand der Wicklung bei 20°C

Resistencias de los bobinados a 20°

Tipo Type Type Typ Tipo	50 Hz - 3000 r.p.m. - 230V						60 Hz - 3600 r.p.m. - 240V					
	Potenza Power Puissance Leistung Potencia	Statore Stator Stator Estator	Ausiliario Auxiliary Excitation Erregung Excitación	Carica batt. Batt. charger Char. batt Ladegerät Carga batería	Rotore Rotor Rotor Rotor	Condensat. Capacitor Condensat. Kondensator. Condensat.	Potenza Power Puissance Leistung Potencia	Statore Stator Stator Estator	Ausiliario Auxiliary Excitation Erregung Excitación	Carica batt. Batt. charger Char. batt Ladegerät Carga batería	Rotore Rotor Rotor Rotor	Condensat. Capacitor Condensat. Kondensator. Condensat.
	kVA	(R1)	(R2)	(R3)	(R4)	(450V)	kVA	(R1)	(R2)	(R3)	(R4)	(450V)
	Ω	Ω	Ω	Ω	μF		Ω	Ω	Ω	Ω	Ω	μF
EK2MCL	5	0.87	1.5	0.14	2.4	36	6.2	0.62	1.2	0.12	2.4	40
EK2LAL	6	0.6	1.6	0.12	2.7	36	7.5	0.48	1.1	0.1	2.7	40
EK2LBL	7	0.48	1.5	0.12	3.0	40	8.8	0.37	1.0	0.1	3.0	40
EK2LCL	8	0.4	1.5	0.11	3.1	40	10	0.34	0.75	0.092	3.1	25+25



Parti di ricambio

Spare parts list

Pieces detachees

Ersatzteilliste

Partes de recambio

N.RIF	CODICE SINCRO	DESCRIZIONE	DESCRIPTION	DESCRIPTION	BESCHREIBUNG	DESCRIPCIÓN
1	266062001	Griglia anteriore IP21	Front grid IP21	Grille de protection antérieure IP21	Vorderes Gitter IP21	Rejilla anterior IP21
2	266042001	Griglia anteriore IP23	Front grid IP23	Grille de protection antérieure IP23	Vorderes Gitter IP23	Rejilla anterior IP23
3(*)	4061011023	Scudo anteriore "E" IMB35 J609A	Front shield "E" IMB35 J609A	Flasque antérieur "E" IMB35 J609A	Vorderer Kasten "E" IMB35 J609A	Escudo anterior "E" IMB35 J609A
	4061011031	Scudo anteriore "E" IMB35 J609B	Front shield "E" IMB35 J609B	Flasque antérieur "E" IMB35 J609B	Vorderer Kasten "E" IMB35 J609B	Escudo anterior "E" IMB35 J609B
	4061011022	Scudo anteriore "E" IMB35 c.23-c.30	Front shield "E" IMB35 c.23-c.30	Flasque antérieur "E" IMB35 c.23-c.30	Vorderer Kasten "E" IMB35 c.23-c.30	Escudo anterior "E" IMB35 c.23-c.30
	4061011011	Scudo anteriore "E" IMB34 (B3/B14)	Front shield "E" IMB34 (B3/B14)	Flasque antérieur "E" IMB34 (B3/B14)	Vorderer Kasten "E" IMB34 (B3/B14)	Escudo anterior "E" IMB34 (B3/B14)
4(*)	266083001	Ventola (con foro d.30)	Fan (with hole d.30)	Ventilateur (avec trou d.30)	Lüfterrad mit Loch d.30	Ventilador agujero d.30
	266083002	Ventola (con foro d.35)	Fan (with hole d.35)	Ventilateur (avec trou d.35)	Lüfterrad mit Loch d.35	Ventilador agujero d.35
5(*)	521222---	Rotore EK-L (Accoppiamento ?) (1)	Rotor EK-L (Coupling ?) (1)	Rotor EK-L (Accouplement ?) (1)	Rotor EK-L (Kupplung ?) (1)	Rotor EK-L (Acoplamiento ?) (1)
6	79060	Diodo + Varistore + Condensatore EMC	Diode + Varistor + EMC Capacitor	Diode + Varistor + Condensateur EMC	Diode + Varistor + Kondensator EMC	Diodo + Varíador + Condensador EMC
7	1750016205	Cuscinetto 6205 2RS C3	Bearing - 6205 2RS C3	Roulement - 6205 2RS C3	Lager 6205 2RS C3	Cojinetes 6205 2RS C3
8	266024005	Coperchio ET-EW-EKM nero	ET-EW-EKM black top cover	Couvercle supérieur ET-EW-EKM noir	Gitterhalbedeckel ET-EW-EKM schwarz	Tapa negra (ET-EW-EKM)
	266014003	Coperchio ET-EW-EKM rosso	ET-EW-EKM red top cover	Couvercle supérieur ET-EW-EKM rouge	Gitterhalbedeckel ET-EW-EKM rot	Tapa roja (ET-EW-EKM)
9(*)	215009046	Mostrina E cieca	Blind E panel	Plaque E de base (sans trous)	E - Platte (blind)	Placa de aluminio E ciega
	70120--	Quadretto ET monofase (vedi...)	ET single-phase panel (see...)	Tableau monophasé ET (voir...)	Schalbrett ET einphasiger (siehe...)	Cuadro ET monofasico (Véase...)
10	266022004	Griglia posteriore IP23 GS100T	IP23 end cover (GS100T)	Couvercle postér. aspiration IP23	Hinteres Gitter IP23 GS100T	Rejilla trasera IP23 GS 100 T
11	266024008	Tappo GS100T / KS	Tap (GS100T / KS)	Bouchon (GS100T / KS)	Stopfen GS100T / KS	Tapón GS100T / KS
12(*)	266061004	Cuffia EK cieca	Blind EK end cover	Couvercle post. aspiration EK sans trous	EK Schutzkasten	Tapa EK ciega posterior
	7022--	Quadretto EK monofase (vedi...)	EK single-phase panel (see...)	Tableau monophasé EK (voir...)	Schalbrett EK einphasiger (siehe...)	Cuadro EK monofasico (Véase...)
13	266064007	Tappo EK	Tap (EK)	Bouchon (EK)	Stopfen (EK)	Tapa EK
14(*)	3001000--	Condensatore --µF 450V	Capacitor --µF 450V	Condensateur --µF 450V	Kondensator --µF 450V	Condensador --µF 450V
15	179005010	Molla portacondensatore EK (d.35-40)	EK (d.35-40) capacitor block spring	Ressort fixation condens. EK(d.35-40)	EK (d.35-40) - Kondensatorhaltefeder	Resorte portacondensador EK (d.35-40)
	179005041	Molla portacondensatore EK (d.45-50)	EK (d.45-50) capacitor block spring	Ressort fixation condens. EK(d.45-50)	EK (d.45-50) - Kondensatorhaltefeder	Resorte portacondensador EK (d.45-50)
16(*)	681273----	Carcazza + Stat. EK-L	Housing + Stat. EK-L	Carcasse + Stat. EK-L	Gehäuse + Stat. EK-L	Carcasa + Estat. EK-L
17	176002030	Tirante M8x30	Stay bolt - M8x30	Tige M8x30	Spannstange M8x30	Tirante M8x30
18(*)	17600--	Tirante albero (dimensioni-accoppiam.?)	Shaft stay bolt (dimensions-coupling ?)	Tige centrale (dimensions-accouplerm. ?)	Spannstange (Kupplungsabmessung ?)	Tirante árbol (dimens. - acoplamiento ?)
	266024003	Coperchio EK nero	EK black top cover	Couvercle supérieur EK noir	Gitterhalbedeckel EK schwarz	Tapa negra (EK)
	266014002	Coperchio EK rosso	EK red top cover	Couvercle supérieur EK rouge	Gitterhalbedeckel EK rot	Tapa roja (EK)
20	3000005	KIT: da IMB35 J609B a IMB34 (B3/B14)	KIT: from IMB35 J609B to IMB34 (B3/B14)	KIT: de IMB35 J609B a IMB34 (B3/B14)	KIT: von IMB35 J609B bis IMB34 (B3/B14)	KIT: da IMB35 J609B a IMB34 (B3/B14)

(1) Comprende il particolare 6

(1) 6 item is included

(1) Comprend la pièce 6

(1) Teil einbegriffen

(1) Incluye el particular 6

(*) Includere nella richiesta di pezzi di ricambio la descrizione dell'oggetto, il codice, il numero di matricola e le caratteristiche della macchina (rilevabili dalla targhetta).

(*) When ordering spare parts, please indicate the alternator code-number and machine serial number and characteristics (they are available on the label)

(*) Nous vous prions d'indiquer, dans vos commandes de pièces de rechange, la description de la pièce, le numéro de code et de série et les caractéristiques de la machine

(*) In den Ersatzteilanfrage sind die Gegenstandsbeschreibung, die Materialnummer, die Kennnummer und die Eigenschaften der Maschine (vom Schild zu entnehmen) anzugeben.

(*) Solicitar las piezas de recambio siempre indicando la descripción del objeto, el código, el número de matricula y las características de la máquina (descritas en la placa de identificación).

INCONVENIENTI	CAUSE	RIMEDIO
Il generatore non si eccita.	1) Macchina smagnetizzata. 2) Velocità ridotta. 3) Diodi rotanti difettosi. 4) Condensatore difettoso 5) Guasto negli avvolgimenti.	1) Applicare ai morsetti d'uscita per 1 sec. una tensione continua compresa tra 6 +12 V. 2) Controllare i giri e portarli al valore nominale. 3) Controllare e sostituire. 4) Controllare e sostituire. 5) Controllare le resistenze degli avvolgimenti come da tabella.
Tensione a vuoto bassa.	1) Velocità ridotta. 2) Diodi rotanti difettosi. 3) Condensatore di valore errato 4) Avvolgimenti avariati.	1) Controllare i giri e regolare. 2) Controllare e sostituire. 3) Controllare e sostituire. 4) Controllare le resistenze degli avvolgimenti come da tabella.
Tensione a vuoto troppo alta.	1) Velocità motore troppo alta. 2) Condensatore di valore errato	1) Controllare i giri e regolare. 2) Controllare e sostituire.
Tensione corretta a vuoto, troppo bassa a carico.	1) Possibile sovraccarico. 2) Il motore rallenta. 3) Diodi rotanti difettosi.	1) Controllare la corrente di carico. 2) Controllare dimensionamento motore. 3) Controllare e sostituire.
Tensione instabile.	1) Contatti incerti. 2) Irregolarità di rotazione.	1) Controllare le connessioni. 2) Verificare l'uniformità di rotazione.
Surriscaldamento della macchina.	1) Aperture di ventilazione parzialmente ostruite. 2) Possibile sovraccarico.	1) Smontare e pulire le cuffie di aspirazione ed espulsione aria. 2) Controllare la corrente di carico.
Macchina rumorosa.	1) Cuscinetti avariati. 2) Accoppiamento difettoso.	1) Controllare e sostituire. 2) Verificare e riparare.

DEFECT	CAUSE	REMEDY
The alternator does not excite.	1) Demagnetized machine. 2) Reduced speed. 3) Faulty rotating diodes. 4) Faulty rotating diodes. 5) Failure in the windings.	1) Apply to the terminal a DC voltage between 6+12V for 1 second. 2) Check the speed and bring it to the rated value. 3) Check and replace. 4) Check and replace. 5) Check the windings resistances as per the table.
Low no-load voltage	1) Reduced speed. 2) Faulty rotating diodes. 3) Wrong capacitor value. 4) Faulty windings.	1) Check the speed and regulate. 2) Check and replace. 3) Check and replace. 4) Check the resistance as per the table.
Too high no-load voltage	1) Excessive motor speed. 2) Wrong capacitor value.	1) Regulate the motor speed. 2) Check and replace.
Correct no-load voltage and too low full-load voltage.	1) Probable overload. 2) The engine speed slows down. 3) Faulty rectifier bridge.	1) Check the load current. 2) Check motor dimensions. 3) Check and replace.
Unstable voltage.	1) Loose connections. 2) Irregular rotation.	1) Check the connections. 2) Verify the rotation uniformity.
Machine overheating.	1) Partially obstructed ventilation openings. 2) Probable overload.	1) Remove and clean the air inlet and outlet grids. 2) Check the load current.
Noisy machine.	1) Faulty bearings. 2) Faulty coupling.	1) Check and replace. 2) Verify and repair.

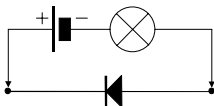
PANNES	CAUSES	SOLUTIONS
Le générateur ne s'excite pas.	1) Machine démagnétisée. 2) Vitesse réduite. 3) Diodes roullantes défectueuses. 4) Condensateur défectueux. 5) Pannes au niveau des bobines.	1) Appliquer aux bornes en sortie durant 1 seconde une tension continue comprise entre $6 \pm 12V$. 2) Contrôler les tours et les porter à la valeur nominale. 3) Contrôler et substituer si nécessaire. 4) Contrôler et substituer si nécessaire. 5) Contrôler les résistances des bobines en suivant les indications données par le tableau.
Tension à vide insuffisante.	1) Vitesse réduite. 2) Diodes roullantes défectueuses. 3) Valeur du condensateur erronée. 4) Bobines défectueuses.	1) Contrôler les tours et les régler si nécessaire. 2) Contrôler et substituer si nécessaire. 3) Contrôler et substituer si nécessaire. 4) Contrôler les résistances des bobines en suivant les indications données par le tableau.
Tension à vide trop élevée.	1) Vitesse moteur trop élevée. 2) Valeur du condensateur erronée.	1) Contrôler les tours et les régler si nécessaire. 2) Contrôler et substituer si nécessaire.
Tension à vide correcte.	1) Possible surcharge.	1) Contrôler le courant de charge.
Tension en charge insuffisante.	2) Le moteur ralenti. 3) Diodes roullantes défectueuses.	2) Contrôler dimensions moteur. 3) Contrôler et substituer si nécessaire.
Tension instable.	1) Contacts incertains. 2) Irrégularité dans la rotation.	1) Contrôler les connexions. 2) Vérifier l'uniformité de la rotation.
Surchauffe de la machine.	1) Ouvertures ventilation partiellement obstruées. 2) Possible surcharge.	1) Démontet et nettoyer les protecteurs aspiration et expulsion air. 2) Contrôler le courant de charge.
Niveau sonore machine élevé.	1) Coussinets endommagés. 2) Accouplement défectueux.	1) Contrôler et substituer si nécessaire. 2) Contrôler et réparer.

STÖRUNG	URSACHE	ABHILFE
Der Generator erregt sich nicht.	1) Entmagnetisierung der Maschine. 2) Antriebsdrehzahl zu niedrig. 3) Fehlerhafte drehende Diode. 4) Fehlerhafter Kondensator 5) Wicklungsstörung.	1) En den klemmen für eine Sekunde eine Gleichspannung zwischen 6 und 12 V anbringen 2) Drehzahl des Antriebsmotors auf Nennwert bringen. 3) Kontrollieren und ersetzen. 4) Wicklungswiderstände entsprechend der Tabelle überprüfen. 5) Kontrollieren und ersetzen.
Niedrige Leerlaufspannung.	1) Antriebsdrehzahl zu niedrig. 2) Fehlerhafte drehende Diode. 3) Wicklungen beschädigt. 4) Kondensator mit falschen Wert	1) Drehzahl kontrollieren und regeln. 2) Kontrollieren und ersetzen. 3) Wicklungswiderstände entsprechend der Tabelle überprüfen. 4) Kontrollieren und ersetzen
Zu hohe Leerlaufspannung.	1) Antriebsdrehzahl zu hoch. 4) Kondensator mit falschen Wert	1) Drehzahl kontrollieren und regeln. 4) Kontrollieren und ersetzen
Richtige Leerlaufspannung, Lastspannung zu gering.	1) Zu hohe Belastung. 2) Zu geringe Antriebsleistung. 3) Fehlerhafte drehende Dioden	1) Belastungsstrom überprüfen. 2) Abgabeleistung des Motors überprüfen. 3) Kontrollieren und ersetzen.
Spannungsschwankungen.	1) Fehlerhafte Kontakte. 2) Drehzahlschwankungen.	1) Elektrische Anschlüsse überprüfen. 2) Drehzahlregler des Antriebsmotors einstellen.
Zu starke Erwärmung der Maschine.	1) Lüftungsgitter verstopft. 2) Zu hohe Belastung.	1) Zu- und Abluftgitter demontieren und reinigen. 2) Belastungsstrom überprüfen.
Geräusentwicklung.	1) Schadhafte Kugellager. 2) Fehlerhafte Verbindung von Motor u. Generator.	1) Überprüfen und ersetzen. 2) Überprüfen und reparieren.

FALLA	CAUSA	SOLUCIÓN
El alternador no se excita.	1) Máquina desmagnetizada. 2) Velocidad reducida. 3) Diodos rotatorios defectuosos. 4) Condensador defectuoso 5) Avería en los bobinados.	1) Aplicar a los terminales de salida durante 1 segundo una tensión continua de entre 6-12 V. 2) Comprobar las RPM del motor y llevarlas a su valor nominal . 3) Comprobar y sustituir. 4) Comprobar y sustituir 5) Comprobar las resistencias de los bobinados, como se indica en la tabla.
Tensión en vacío baja.	1) Velocidad reducida. 2) Diodos rotatorios defectuosos. 3) Condensador de valor incorrecto 4) Avería en los bobinados.	1) Comprobar las RPM y regular. 2) Comprobar y sustituir. 3) Comprobar y sustituir 4) Comprobar las resistencias de los bobinados, como se indica en la tabla.
Tensión en vacío demasiado alta.	1) Velocidad del motor demasiado alta. 2) Entrehierro del compound alto.	1) Comprobar las RPM y regular. 2) Regularlo.
Tensión correcta en vacío, demasiado baja en carga.	1) Posible sobrecarga. 2) El motor decelera. 3) Diodos rotatorios defectuosos.	1) Comprobar la corriente de carga. 2) Comprobar el dimensionamiento del motor. 3) Comprobar y sustituir.
Tensión inestable.	1) Contactos inciertos. 2) Irregularidad de rotación.	1) Controlar las conexiones. 2) Verificar la uniformidad de rotación.
Sobrecalentamiento de la máquina.	1) Orificios de ventilación parcialmente obstruidos. 2) Posible sobrecarga.	1) Desmontar y limpiar las envolturas de aspiración y expulsión aire. 2) Comprobar la corriente de carga.
Ruido en la máquina.	1) Cojinetes defectuosos. 2) Acoplamiento defectuoso.	1) Comprobar y sustituir. 2) Comprobar y arreglar.

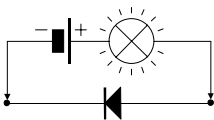
Verifica dei diodi.

Con un ohmmetro controllare ogni singolo diodo che dovrà indicare continuità in un solo senso. Oppure con una pila e una lampadina invertendo la polarità della pila la lampadina si deve accendere in un solo senso come da figura.



Checking the diodes.

Use an ohmmeter to check each individual diode. Diodes must show continuity in one direction only. This check can also be done using a battery and a light bulb. When inverting battery polarity, the light bulb must turn on and off, in one direction only, as shown in the figure below.



Contrôle des diodes.

A l'aide d'un ohmmètre, contrôler les diodes une à une. Chacune d'elle devra indiquer continuité en sens unique.

Ce test peut être réalisé avec une pile et une ampoule. En inversant les pôles de la pile, l'ampoule doit s'allumer dans le seul sens indiqué sur la figure.

Überprüfung des Gleichrichters (Dioden).

Die Dioden werden mit einem Widerstandsmessgerät (Ohmmeter) geprüft. Die Dioden müssen in einer Richtung sperren und in der anderen durchlassen. Die Messung kann auch mit einer Glühlampe und einer Hilfsspannung (Batterie) durchgeführt werden. Die Lampe muss in einer Stromrichtung aufleuchten und in der anderen dunkel bleiben (siehe Figur).

Verificación de los diodos.

Con un ohmímetro comprobar cada diodo que deberá indicar continuidad en un sólo sentido. O bien, con una pila y una bombilla, invirtiendo la polaridad de la pila, la bombilla tiene que encenderse solo en un sentido, tal como se indica en la figura.

La società

The company

La société

SINCRO s.r.l.

Via Tezze,3 - Loc. Cereda - 36073 - Cornedo Vicentino - (Vi) ITALY

dichiara sotto la propria responsabilità che gli alternatori

declares under its own responsibility that the alternators:

déclare sous sa propre responsabilité que les alternateurs

serie EK**serie EK****série EK**

sono costruiti e collaudati in accordo alle norme di seguito indicate:

have been manufactured and tested in compliance with the following standards

sont construits et testés dans le respect des normes indiquées ci-après:

CEI EN 60034-1 (CEI 2-3 - NF 51.100 - VDE 0530 - BS 4999-5000)
CEI EN 60204-1 (CEI 44-5)
EN 292-1, 292-2
IEC 34.1, 34.5

e risultano conformi:

and thereby conform to:

et sont conformes:

1) ai requisiti generali di sicurezza stabiliti dalla Direttiva Bassa Tensione del 19 Febbraio 1973 (73/23 CEE), recepita in Italia con la legge n°791 del 18 Ottobre 1977.

1) all General Safety Requirements as provided by the EEC Low Voltage Directive dated 19 February 1973 (73/23 EEC).

1) Aux conditions générales de sécurité établies par la Directive relative à la basse tension du 19 Février 1973 (73/23 CEE), adoptée par l'Italie par promulgation de la loi n°791 du 18 Octobre 1977.

2) alla Direttiva 89/336 CEE (mod. dalla 93/68 CEE) riguardante il ravvicinamento delle legislazioni degli stati membri in materia di compatibilità elettromagnetica. La verifica di compatibilità è stata condotta in base alle seguenti norme:

2) all principal safety requirement specified by the Committee for Adapting Member States Legal Regulation on Electromagnetic Compatibility (89/336 EEC, 93/68 EEC). The following standards were used to evaluate the electromagnetic compatibility:

2) A la Directive 89/336 CEE (et modification successive 93/68 CEE) concernant l'harmonisation des législations des états membres en matière de compatibilité électromagnétique. La vérification de compatibilité a été effectuée conformément aux normes suivantes:

EN 55011 (CEI 110-6)
EN 50081-1 (CEI 110-7)
EN 50082-1 (CEI 110-8)

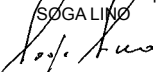
Gli alternatori oggetto della presente dichiarazione sono da intendersi come componenti; pertanto vige il divieto di messa in servizio prima che le macchine in cui saranno incorporati siano dichiarate conformi alle direttive riguardanti la sicurezza (CEE 89/392, art.4, allegato 2, lettera B; CEE 91/368, art.1) e la compatibilità elettromagnetica.

The alternators covered by this certificate must be considered as components and therefore prohibited from being placed in operation before the machine in which they will be used has been certificated for conformity to safety directives (EEC 89/392, art.4, point 2, letter B; EEC 91/368, art.1) and for electromagnetic compatibility.

Les alternateurs objets de la présente déclaration doivent être considérés comme étant des composants. En conséquence, la mise en service de ces derniers est interdite, avant la mise en conformité des machines auxquelles ils seront incorporés. Les dites machines devront être déclarées conformes aux directives regardant la sécurité (CEE 89/392, art.4, annexe 2, lettre B; CEE 91/368, art.1) et la compatibilité électromagnétique.

Cereda di Cornedo, li 02/01/97

SINCRO s.r.l.
L' amministratore unico
The chairman
L'Administrateur unique

SOGALINO


Die Firma

La sociedad

SINCRO s.r.l.

Via Tezze,3 - Loc. Cereda - 36073 - Cornedo Vicentino - (Vi) ITALY

erklärt unter der eigenen Verantwortung, daß der Bau und die Abnahme der Generatoren

declara bajo la propia responsabilidad que los alternadores

Baureihe EK

serie EK

den nachstehenden Vorschriften entspricht:

han sido fabricados y probados siguiendo la normativa que se detalla a continuación:

CEI EN 60034-1 (CEI 2-3 - NF 51.100 - VDE 0530 - BS 4999-5000)
 CEI EN 60204-1(CEI 44-5)
 EN 292-1, 292-2
 IEC 34.1, 34. 5

darüberhinaus erfüllen sie:

y cumplen:

1) die allgemeinen Sicherheitsanforderungen der Richtlinie für Niederspannung vom 19 Februar 1973 (73/23 CEE), in Italien mit dem Gesetz Nr. 791 vom 18 Oktober 1977 aufgenommen.

1) las prescripciones que sobre seguridad quedan definidas en la Norma sobre la Baja Tensión del 19 de Febrero del 1973 (73/23 CEE) introducida en Italia con la ley n° 791 del 18 de Octubre del 1977.

2) die Richtlinie 89/336CEE (Mod. der 93/68 CEE) bezüglich der Annäherung der Gesetzgebungen der Mitgliedsstaaten in Sachen elektromagnetischer Kompatibilität. Die Kompatibilitätsprüfung wurde mit Zugrundelegung folgender Normen ausgeführt:

2) la Norma 89/336 CEE (y sucesiva modificación 93/68 CEE) sobre la compatibilidad electromagnética. La prueba de compatibilidad se ha realizada en base a las siguientes normas:

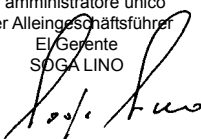
EN 55011 (CEI 110-6)
 EN 50081-1 (CEI 110-7)
 EN 50082-1 (CEI 110-8)

Die Generatoren, Gegenstand dieser Erklärung, sind als Komponenten zu verstehen; daher ist ihre Inbetriebnahme verboten, bevor nicht die Maschinen, in die sie integriert werden, mit den Richtlinien bezüglich Sicherheit (CEE 89/392, Art. 4, Anlage 2, Buchstabe B; CEE 91/368, Art. 1) und elektrischer Kompatibilität für konform erklärt werden.

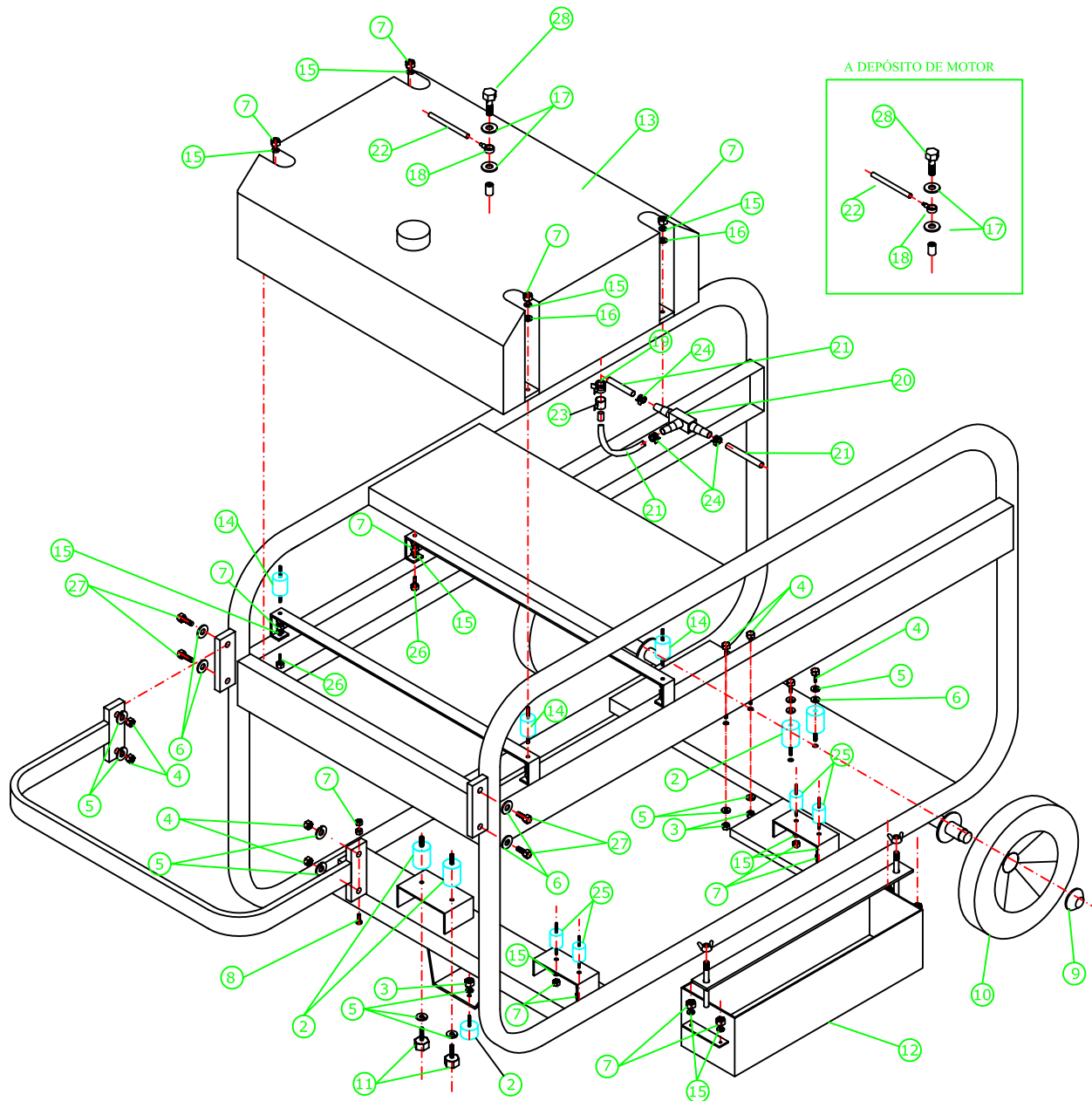
Los alternadores objeto de la presente declaración han de entenderse como componentes; por lo tanto se prohíbe su puesta en servicio antes de que las máquinas a las cuales se acoplarán no se declaren conformes a las normas sobre seguridad (CEE 89/392, art. 4, anexo 2, letra B; CEE 91/368, art. 1) y sobre compatibilidad electromagnética.

Cereda di Cornedo, li 02/01/97

SINCRO s.r.l.
 L' amministratore unico
 Der Alleingeschäftsführer
 El Gerente
 SOGA LINO



La SINCRO si riserva di apportare modifiche senza preavviso.
 The manufacturer reserves the right to modify features without notice.
 Les valeurs peuvent subir des variations sans préavis.
 Die Werte können ohne Vorankündigung Änderungen unterzogen werden.
 La Sincro se reserva el derecho de aportar las modificaciones sin preaviso.



ES 6000CD

Nº DE PIEZA	REFERENCIA	DESIGNACION
1	ES 6000 CD	CHASIS
2	230060	AMORTIGUADOR
3	140010000	TUERCA M10
4	171010030	TORNILLO M10X30
5	130310010	ARANDELA GROVER M10
6	130000010	ARANDELA PLANA M10
7	140006000	TUERCA M6
8	171006020	TORNILLO M6X20
9	06516913200	CLIP RUEDAS
10	17001	RUEDAS
11	181010016	TORNILLOS M10X16
12	CAJON	CAJA BATERIAS
13	20L	DEPOSITO DE COMBUSTIBLE
14	TH2530	AMORTIGUADOR
15	130300006	ARANDELA GROWER M6
16	130400006	ARANDELA CARROCERO M6
17	812	ARANDELA COBRE
18	ET85	ESFERICO
19	1222	ABRAZADERA
20	T6005	EMPALME EN T
21	301510	TUBO GASOLINA
22	30049	TUBO RESPIRO
23	16289	LLAVE COMBUSTIBLE
24	9910	ABRAZADERA
25	2020	AMORTIGUADOR
26	171006020	TORNILLO M6X20
27	171008020	TORNILLO M8X20
28	8100	TORNILLO M8 HUECO



PROYECTADO	FML	MODELO	ES 6000CD	Nº DE PLANO :	ESCALA	Nº REV.	FECHA	FIRMA
COMPROBADO	FML	DESCRIPCION		Nº DE HOJA DE				