

**DESPIECE
PEÇAS
SPARE PARTS**



BENZA
www.benza.es



<i>Modelo</i> <i>Modêlo</i> <i>Model</i>	E 4200CD
<i>Motor</i> <i>Motor</i> <i>Engine</i>	
<i>Alternador</i> <i>Alternador</i> <i>Alternator</i>	
<i>Chasis</i> <i>Chassis</i> <i>Chassis</i>	



Model EX21

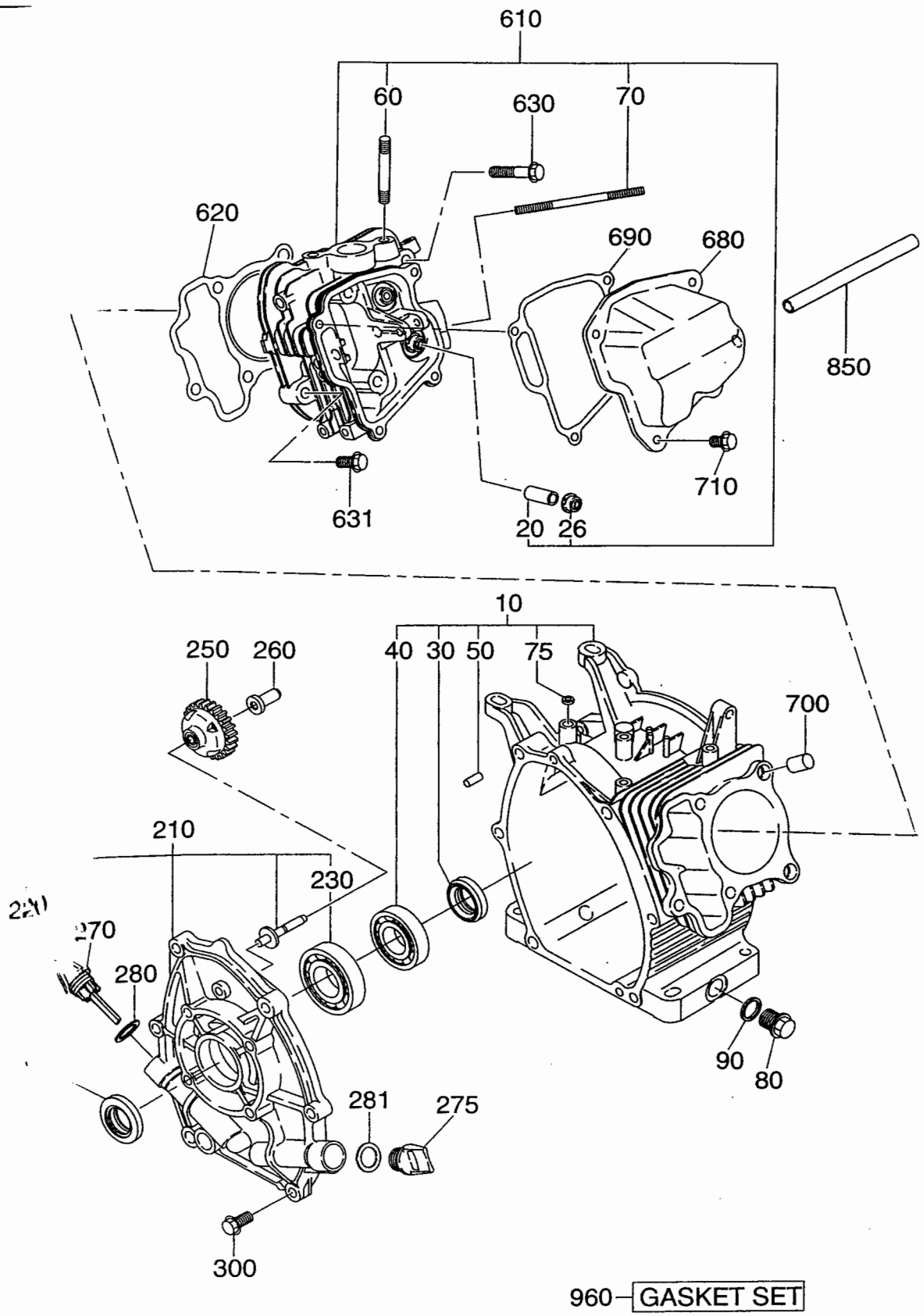
PARTS CATALOG

Spec. No.	Spec. Name
EX210D00000	STD
EX210D10010	EX, PUMP
EX210D10020	EX, DU, DUAL, CABLE CONTROL
EX210D20010	GEN, DUAL, OS
EX210D40010	DUAL, CABLE CONTROL
EX210D50000	EX, DU
EX210D50020	EX, DU, DUAL, CABLE CONTROL, OS
EX210D51010	EX, DP(5/8), DUAL, OS
EX210D52010	EX, DH, DUAL, OS
EX210D52020	EX, DH, 50, OS

 **FUJI HEAVY INDUSTRIES LTD.**

ISSUE EMD-EP5847	
ISSUE DATE	2002.3

FIG. 100



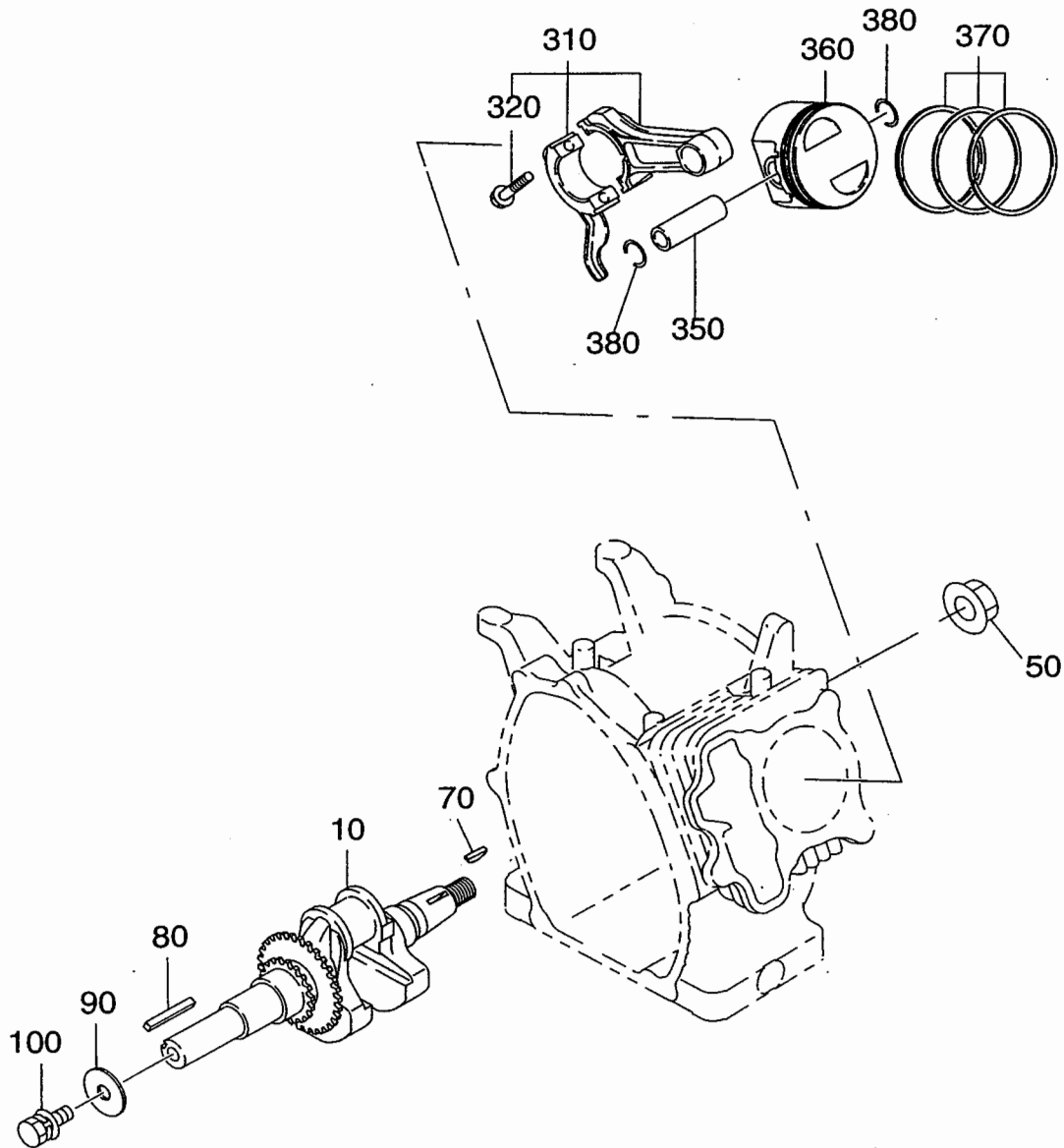
1 CRANK CASE

REF. NO.	PART NUMBER		PART NAME		CODE NO. FROM - TO	QTY	REMARKS	INTERCHANGEABLE PART NUMBER	FIG. NO.
		PART NUMBER		SPEC. NO.					
10	278-10101-01		CRANK CASE CP		-	1			100
	278-10102-01		EX210D20010		-	1	W/OIL SENSOR		100
			EX210D50020		-	1			100
			EX210D51010		-	1			100
			EX210D52010		-	1			100
			EX210D52020		-	1			100
20	237-14202-03		VALVE GUIDE		-	2	5. 5DX9. 5DX27L		100
26	277-16010-01		STEM SEAL		-	1	5DX11. 6DX15DX7. 8T		100
30	044-02502-00		OIL SEAL		-	1	24. 5DX38DX7T		100
40	060-02800-20		BALL BEARING		-	1	28DX58DX16B		100
50	277-15011-03		PIPE KNOCK		-	2	10DX8. 5DX14L		100
60	010-50802-50		STUD		-	2	M8X1. 25X25L		100
70	010-50603-51		STUD		-	2	M6X1. 0X98L		100
75	044-00600-20		OIL SEAL		-	1	5. 6DX10DX2. 5T		100
80	040-11400-30		PLUG		-	2	M14X1. 5X20DX12L		100
90	021-11400-20		GASKET		-	2	14. 1DX19DX2. 3T		100
210	277-11001-11		MAIN BEARING COVER C		-	1	FLANGE 4-M8X1. 25		100
	277-11002-01		EX210D10020		-	1	FLANGE 4-5/16-24UNF		100
			EX210D50000		-	1			100
			EX210D50020		-	1			100
			EX210D51010		-	1			100
			EX210D52010		-	1			100
			EX210D52020		-	1			100
220	044-02502-10		OIL SEAL		-	1	24. 5DX41. 25DX6T		100
230	060-02500-10		BALL BEARING		-	1	6205 25DX52DX15B		100
250	277-45004-21		GOVERNOR GEAR CP		-	1	52. 5DX29T N=33		100
260	263-41901-03		GOVERNOR SLEEVE		-	1	6DX7. 6DX16DX26L		100
270	277-63601-03		OIL GAUGE		-	1	M18X1. 5 L=70+18		100
275	277-65001-03		FILLER PLUG		-	1	M18X1. 5 L=12+18		100
280	021-31600-20		GASKET		-	1	16DX23DX2. 2T		100
281	021-31600-20		GASKET		-	1	16DX23DX2. 2T		100
300	001-04083-50		FLANGE BOLT		-	6			100
610	278-13001-01		CYLINDER HEAD CP		-	1			100
620	277-15001-13		GASKET (HEAD)		-	1			100
630	011-00802-40		FLANGE BOLT		-	4	M8X1. 25X68L		100
631	001-04083-50		FLANGE BOLT		-	1			100

1 CRANK CASE

REF. NO.	PART NUMBER		PART NAME		CODE NO. FROM - TO	QTY	REMARKS	INTERCHANGEABLE PART NUMBER	FIG. NO.
		PART NUMBER		SPEC. NO.					
680	277-15501-01		ROCKER COVER CP		-	1			100
690	277-16001-03		GASKET (ROCKER COVER)		-	1	T=0.7		100
700	277-15011-03		PIPE KNOCK		-	2	10DX8.5DX14L		100
710	011-00600-20		FLANGE BOLT		-	4	M6X1.0X12L		100
850	085-10800-00		RUBBER PIPE		-	1	8DX11D		100
960	277-99001-07		GASKET SET		-	1			100

FIG. 200



2 CRANKSHAFT, PISTON

REF. NO.	PART NUMBER		PART NAME		CODE NO. FROM - TO	QTY	REMARKS	INTERCHANGEABLE PART NUMBER	FIG. NO.
		PART NUMBER		SPEC. NO.					
10	278-20201-01		CRANKSHAFT CP		-	1	L=252 PTO=20DX50L M8		200
	278-20301-01		EX210D10010		-	1	L=277 20DX55. 4L+M18		200
	278-20701-01		EX210D20010		-	1	L=229 19DX1/5TAP M8		200
	278-20901-01		EX210D10020		-	1	L=260 19. 05DX58. 5 5/		200
			EX210D50000		-	1			200
			EX210D50020		-	1			200
	278-21001-01		EX210D51010		-	1	L=261 5/8-18UNFX23L		200
	278-21201-01		EX210D52010		-	1	L=271 17DX1/5TAPER		200
			EX210D52020		-	1			200
50	018-01400-20		FLANGE NUT		-	1	M14X28DX12H		200
70	032-30300-10		WOODRUFF KEY		-	1	3BX6HX16D		200
30	005-30053-01		KEY		-	1		032-00500-10	200
90	020-00800-50		WASHER		-	1	8. 5DX28DX2. 3T		200
100	001-13082-00		BOLT & WASHER AY		-	1			200
310	278-22501-10		CONNECTING ROD AY		-	1			200
320	277-23001-03		CONNECTING ROD BOLT		-	2	M6X1. 0X33L		200
350	277-23301-03		PISTON PIN		-	1	16DX11DX48. 5L		200
360	277-23401-03		PISTON		-	1	STD. (66DX40H)		200
370	277-23511-07		PISTON RING SET		-	1	STD. OIL:EXPANDER		200
	277-23501-07		EX210D20010		-	1	STD. OIL:3 PIECES		200
			EX210D52010		-	1			200
380	056-51600-10		CLIP		-	2	15. 7DX1. 4D		200

FIG. 300

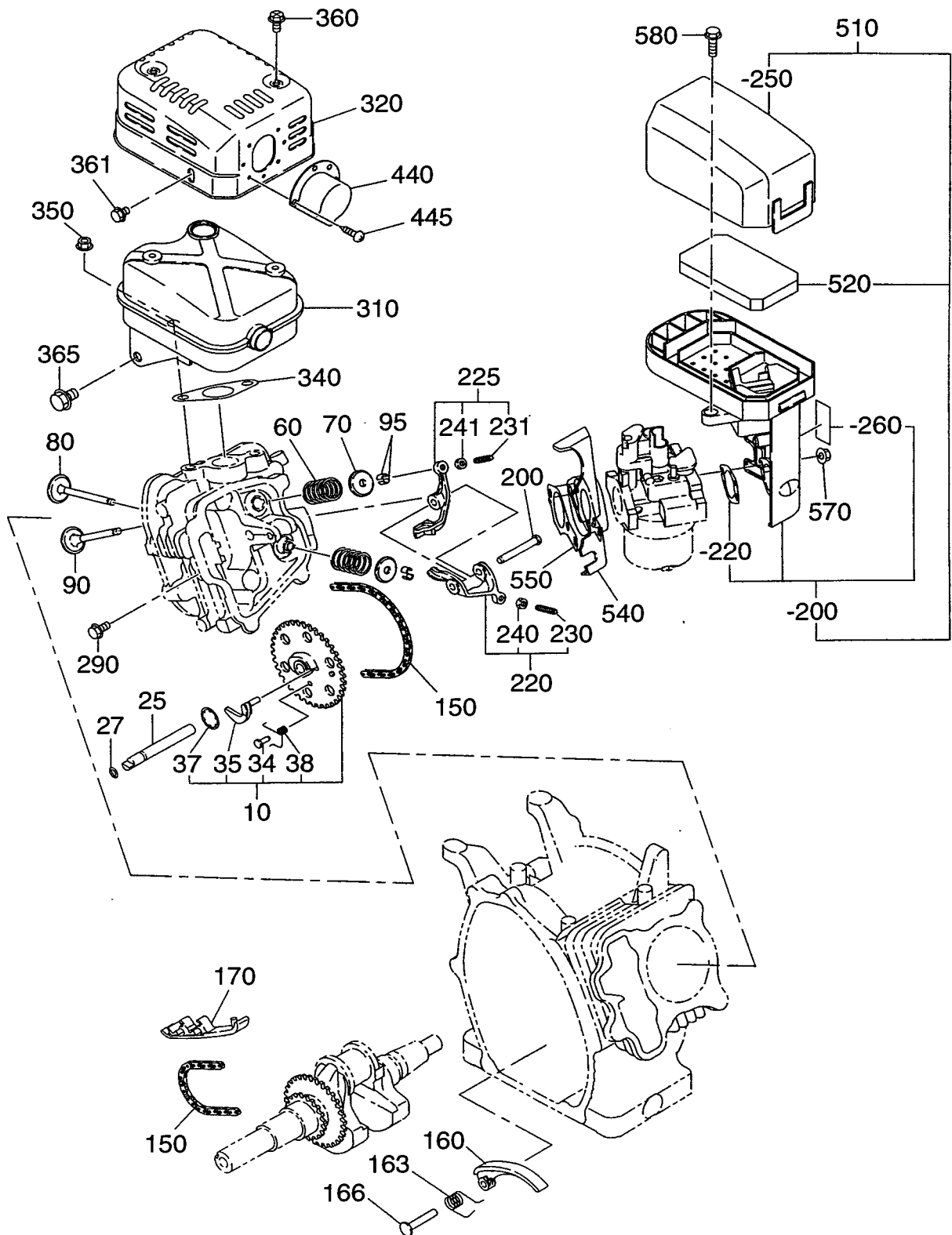
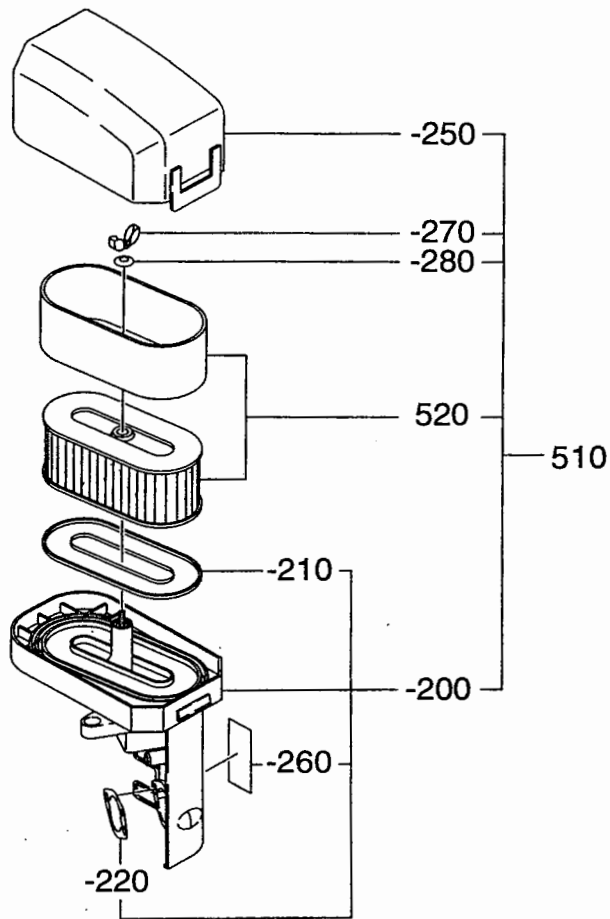


FIG. 315



3 INTAKE EXHAUST

REF. NO.	PART NUMBER		PART NAME		CODE NO. FROM - TO	QTY	REMARKS	INTERCHANGEABLE PART NUMBER	FIG. NO.
		PART NUMBER		SPEC. NO.					
10		277-31601-01		CAM SHAFT CP	-	1	84.5DX32.4B N=40		300
25		277-35101-03		PIN(CAM SHAFT)	-	1	9DX78.5L		300
27		024-00600-10		O RING	-	1	5.8DX9.6DX1.9T		300
34		277-38601-03		PIN(SPRING)	-	1	4DX7.5DX11L		300
35		277-36401-03		RELEASE LEVER	-	1			300
37		277-36501-03		CLIP	-	1	13.8DX20.3DX0.4T		300
38		277-38701-03		RETURN SPRING	-	1			300
60		279-33601-03		VALVE SPRING	-	2	17DX2.3DX27L N=5.8		300
70		269-33701-03		SPRING RETAINER	-	2			300
80		277-33401-13		INTAKE VALVE	-	1	25.5DX5.5DX68.1L		300
90		277-33501-13		EXHAUST VALVE	-	1	23.5DX5.5DX68.1L		300
95		132-10KA0-31		COLLET-VALVE	-	4			300
150		278-35601-01		TIMING CHAIN CP	-	1	92 LINK		300
160		277-36911-03		TENTIONER	-	1			300
163		277-37101-03		SPRING(TENTIONER)	-	1			300
166		277-36902-03		PIN(TENTIONER)	-	1	6DX13DX34L		300
170		277-36913-13		CHAIN GUIDE	-	1			300
200		277-35001-03		PIN(ROCKER)	-	1	6DX9DX41L		300
220		277-36101-00		ROCKER ARM(IN) AY	-	1			300
225		277-36102-00		ROCKER ARM(EX) AY	-	1			300
230		014-90500-10		ADJUST SCREW	-	1	M5X0.5X23L		300
231		014-90500-10		ADJUST SCREW	-	1	M5X0.5X23L		300
240		017-00500-20		NUT	-	1	M5X0.5X4.1H		300
241		017-00500-20		NUT	-	1	M5X0.5X4.1H		300
290		011-00600-20		FLANGE BOLT	-	1	M6X1.0X12L		300
310		278-30101-11		MUFFLER CP	-	1			300
320		277-34201-01		MUFFLER COVER CP	-	1			300
340		277-35201-03		GASKET(MUFFLER)	-	1	26D 9DX58P 0.2T		300
350		980-20082-80		FLANGE NUT	-	2			300
360		015-20600-90		TAPPING BOLT	-	2	M6X1.0X10L		300
361		011-00600-10		FLANGE BOLT	-	1	M6X1.0X8L		300
365		011-00801-50		FLANGE BOLT	-	1	M8X1.25X12L		300
440		*****		DEFLECTOR					
		277-37001-03		EX210D10020	-	1			300
				EX210D40010	-	1			300
				EX210D50020	-	1			300

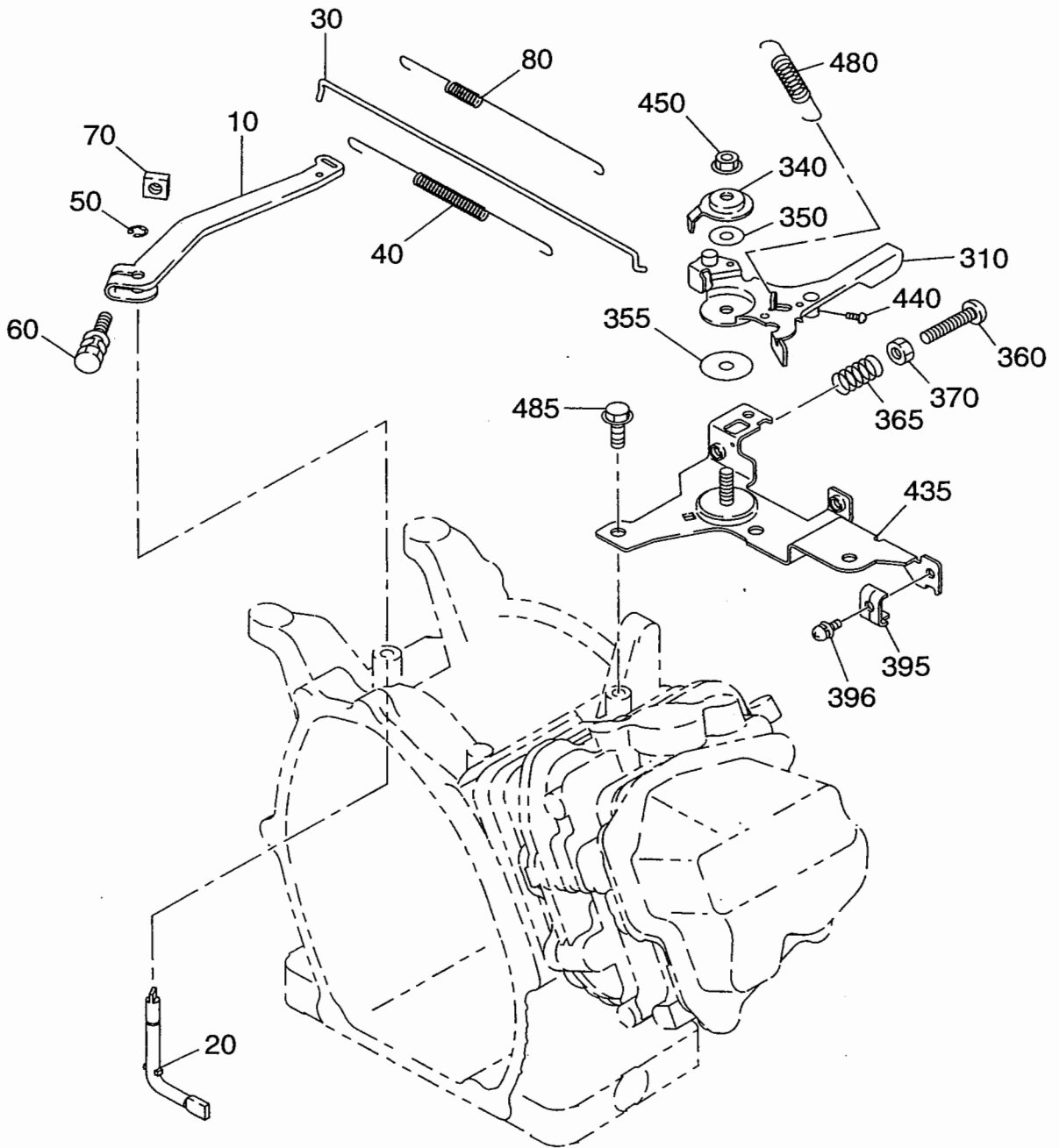
3 INTAKE EXHAUST

REF. NO.	PART NUMBER		PART NAME		CODE NO. FROM - TO	QTY	REMARKS	INTERCHANGEABLE PART NUMBER	FIG. NO.
				SPEC. NO.					
445	*****		TAPPING SCREW						
	015-00400-60		EX210D10020		-	2			300
			EX210D40010		-	2			300
			EX210D50020		-	2			300
510	277-32611-00		AIR CLEANER AY		-	1			300
	277-32612-00		EX210D10020		-	1	DUAL		315
			EX210D20010		-	1			315
			EX210D40010		-	1			315
			EX210D50020		-	1			315
			EX210D51010		-	1			315
			EX210D52010		-	1			315
-200	277-32601-08		BASE CP		-	1			300
	277-32605-08		EX210D10020		-	1			315
			EX210D20010		-	1			315
			EX210D40010		-	1			315
			EX210D50020		-	1			315
			EX210D51010		-	1			315
			EX210D52010		-	1			315
-210	*****		PACKING						
	277-32610-08		EX210D10020		-	1			315
			EX210D20010		-	1			315
			EX210D40010		-	1			315
			EX210D50020		-	1			315
			EX210D51010		-	1			315
			EX210D52010		-	1			315
-220	277-32604-08		PACKING		-	1			300
-250	277-32602-08		COVER CP		-	1			300
-260	277-32609-08		LABEL		-	1			300
-270	*****		WING NUT						
	277-32607-08		EX210D10020		-	1			315
			EX210D20010		-	1			315
			EX210D40010		-	1			315
			EX210D50020		-	1			315
			EX210D51010		-	1			315
			EX210D52010		-	1			315
-280	*****		WASHER						

3 INTAKE EXHAUST

REF. NO.	PART NUMBER		PART NAME		CODE NO. FROM - TO	QTY	REMARKS	INTERCHANGEABLE PART NUMBER	FIG. NO.
		PART NUMBER		SPEC. NO.					
-280		277-32608-08		EX210D10020	-	1			315
				EX210D20010	-	1			315
				EX210D40010	-	1			315
				EX210D50020	-	1			315
				EX210D51010	-	1			315
				EX210D52010	-	1			315
520		277-32603-08		ELEMENT	-	1			300
		277-32611-07		EX210D10020	-	1	DUAL		315
				EX210D20010	-	1			315
				EX210D40010	-	1			315
				EX210D50020	-	1			315
				EX210D51010	-	1			315
				EX210D52010	-	1			315
540		277-32901-13		INSULATOR	-	1			300
550		277-35901-13		GASKET (INSULATOR)	-	1			300
570		002-38060-00		FLANGE NUT	-	2			300
580		011-00600-50		FLANGE BOLT	-	1	M6X1.0X20L		300

FIG. 400



4 GOVERNOR OPERATION

REF. NO.	PART NUMBER		PART NAME		CODE NO. FROM - TO	QTY	REMARKS	INTERCHANGEABLE PART NUMBER	FIG. NO.
				SPEC. NO.					
10	277-42301-13		GOVERNOR LEVER		-	1			400
20	277-42201-13		GOVERNOR SHAFT		-	1			400
30	277-42701-01		GOVERNOR ROD CP		-	1			400
40	277-42801-13		ROD SPRING		-	1	7DX0.5DX182L N=16		400
50	003-13050-00		CLIP		-	1			400
60	013-00602-40		BOLT AND WASHER AY		-	1			400
70	018-60600-20		NUT		-	1	M6X1.0X4.9H		400
80	279-42502-23		GOVERNOR SPRING		-	1			400
	279-42505-23		EX210D20010		-	1			400
			EX210D52020		-	1			400
310	277-43301-13		SPEED CONTROL LEVER		-	1			400
	277-43302-01		EX210D10020		-	1	W/SWIVEL		400
			EX210D40010		-	1			400
			EX210D50020		-	1			400
340	277-43501-03		STOP PLATE		-	1			400
350	020-00601-70		WASHER		-	1	6DX24DX2T		400
355	021-70600-70		FRICITION WASHER		-	1	6.5DX24DX0.8T		400
360	014-00601-80		SCREW		-	1	M6X1.0X35L		400
365	237-45004-23		SPRING (ADJUST)		-	1			400
370	002-17060-00		NUT		-	1			400
395	*****		CLAMP						
	277-43901-03		EX210D10020		-	1			400
			EX210D40010		-	1			400
			EX210D50020		-	1			400
396	*****		SCREW AND WASHER AY						
	004-36051-60		EX210D10020		-	1		001-17051-60	400
			EX210D40010		-	1			400
			EX210D50020		-	1			400
435	277-46001-01		SPEED CONT. BRKT CP		-	1			400
440	*****		SCREW						
	004-31040-80		EX210D10020		-	1			400
			EX210D40010		-	1			400
			EX210D50020		-	1			400
450	002-35060-00		SELF LOCK NUT		-	1			400
480	*****		RETURN SPRING						
	277-45101-03		EX210D10020		-	1			400

4 GOVERNOR OPERATION

REF. NO.	PART NUMBER		PART NAME		CODE NO. FROM - TO	QTY	REMARKS	INTERCHANGEABLE PART NUMBER	FIG. NO.
	PART NUMBER	SPEC. NO.							
480	277-45101-03		EX210D40010		-	1			400
			EX210D50020		-	1			400
485	011-00600-20		FLANGE BOLT		-	2	M6X1.0X12L		400

FIG. 500

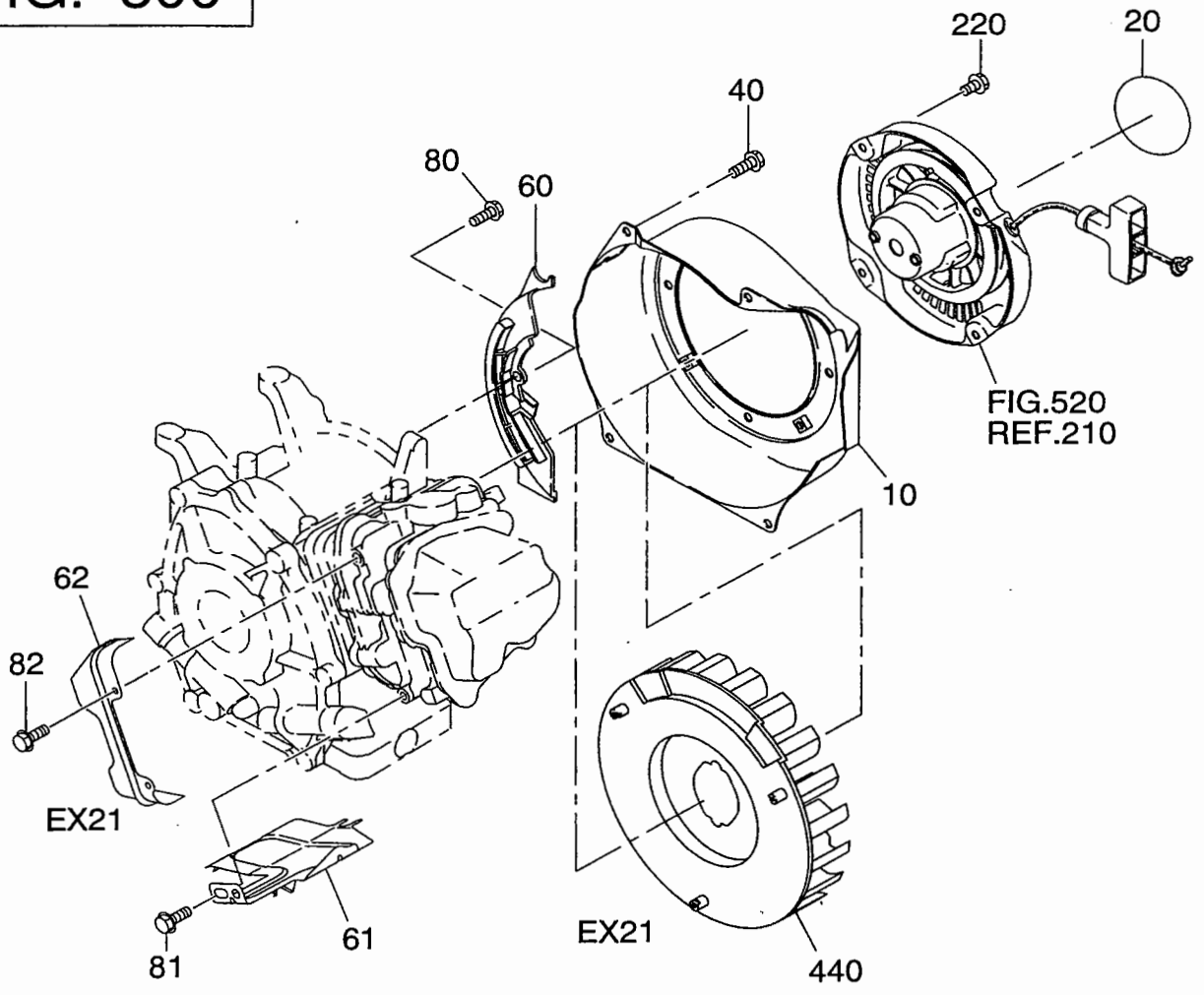
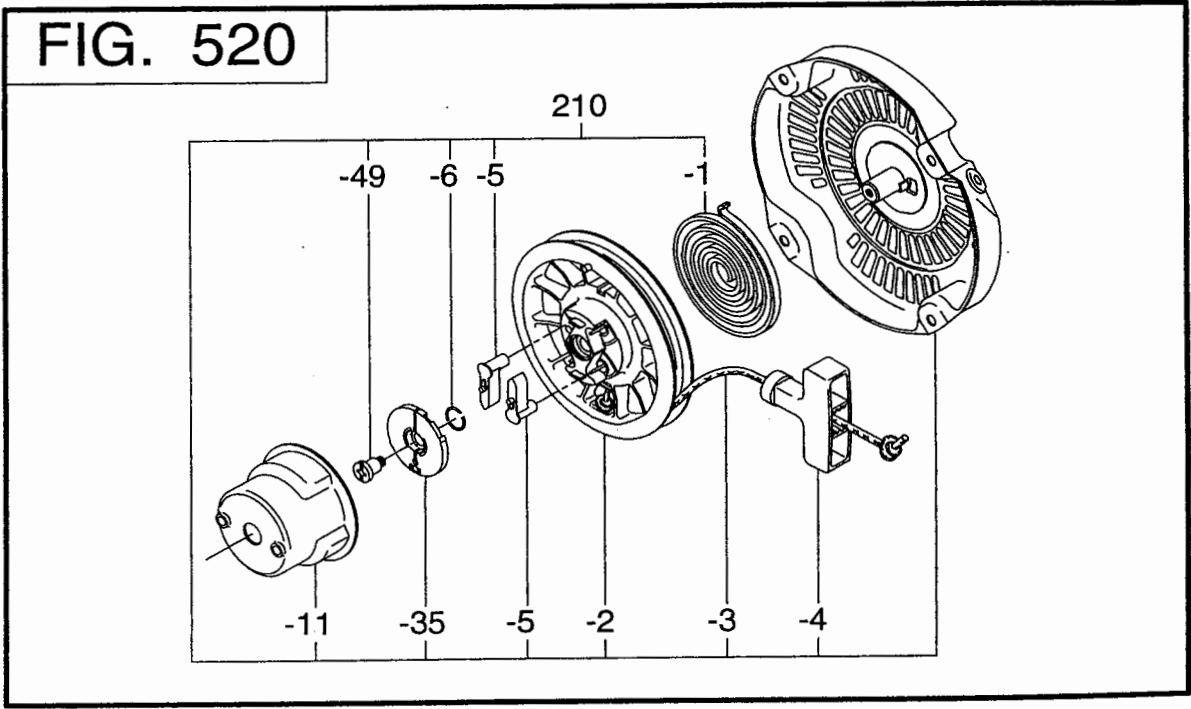


FIG. 520



5 COOLING STARTING

REF. NO.	PART NUMBER		PART NAME		CODE NO. FROM - TO	QTY	REMARKS	INTERCHANGEABLE PART NUMBER	FIG. NO.
		PART NUMBER		SPEC. NO.					
10	278-51201-01		BLOWER HOUSING CP		-	1	NEW R YELLOW		500
	278-51202-01		EX210D50020		-	1	BLACK		500
			EX210D51010		-	1			500
			EX210D52010		-	1			500
20	073-20051-40		LABEL (TRADE MARK)		-	1			500
40	011-00600-30		FLANGE BOLT		-	4	M6X1.0X14L		500
60	277-52711-01		BAFFLE 1 (CASE) CP		-	1			500
61	277-52702-03		BAFFLE 2 (HEAD)		-	1			500
62	278-52701-03		BAFFLE 3		-	1			500
80	011-00600-20		FLANGE BOLT		-	1	M6X1.0X12L		500
81	011-00600-20		FLANGE BOLT		-	1	M6X1.0X12L		500
82	015-20500-10		TAPPING SCREW		-	2	M5X10L		500
210	278-50201-10		RECOIL STARTER AY		-	1	D-STD		520
220	011-00600-10		FLANGE BOLT		-	4	M6X1.0X8L		500
440	278-54101-03		COOLING BLOWER		-	1			500

FIG. 600

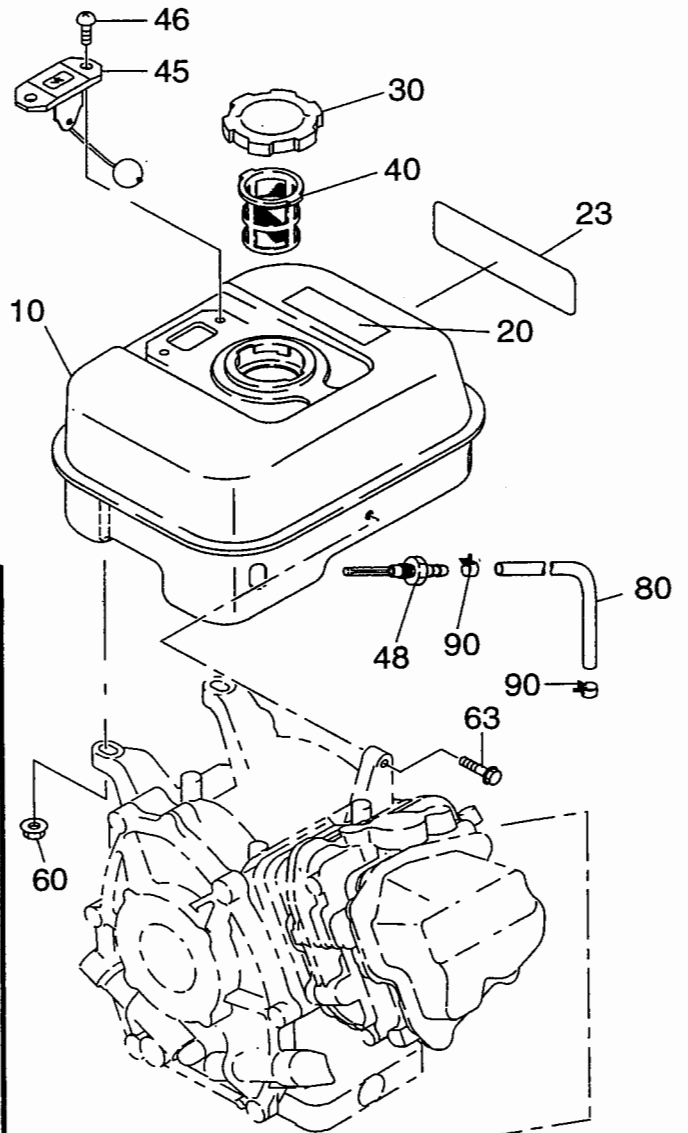
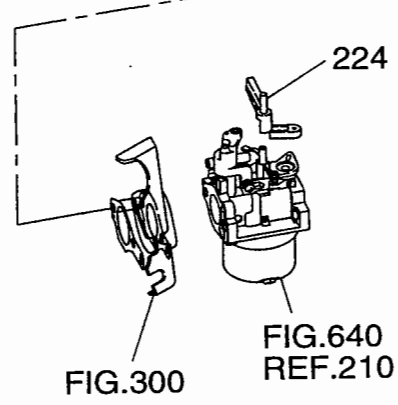
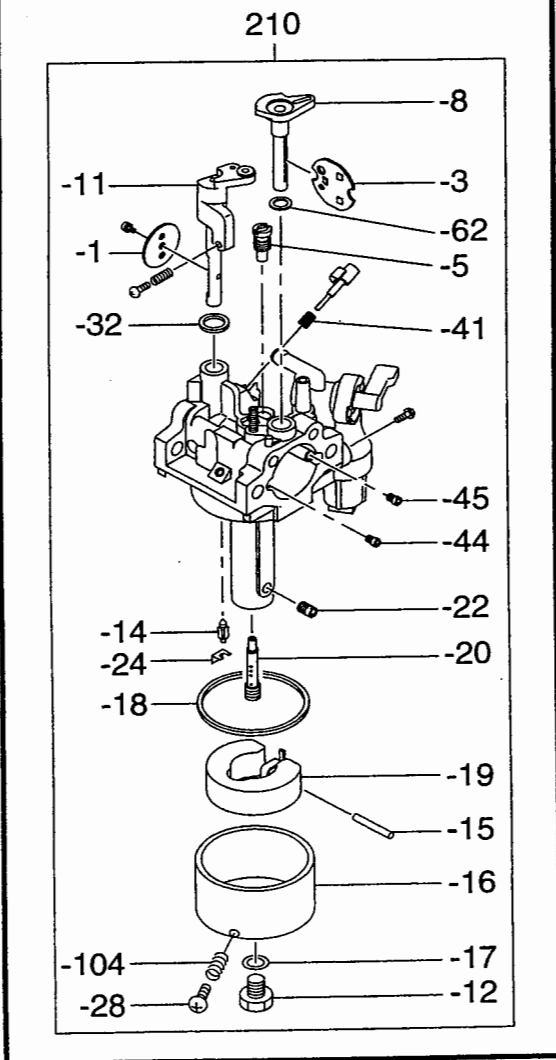


FIG. 640



6 FUEL LUBRICANT

REF. NO.	PART NUMBER		PART NAME		CODE NO. FROM - TO	QTY	REMARKS	INTERCHANGEABLE PART NUMBER	FIG. NO.
		PART NUMBER		SPEC. NO.					
10	277-60101-01		FUEL TANK CP		-	1	3. 6L NEW R YELLOW		600
	277-60102-01		EX210D50020		-	1	3. 6L BLACK		600
			EX210D51010		-	1			600
			EX210D52010		-	1			600
	277-60201-01		EX210D10020		-	1	3. 6L W/GAUGE N-R YEL		600
			EX210D20010		-	1			600
			EX210D40010		-	1			600
20	073-20049-80		LABEL (WARNING)		-	1			600
	073-20051-80		EX210D00010		-	1			600
			EX210D10010		-	1			600
			EX210D10020		-	1			600
			EX210D50000		-	1			600
			EX210D50020		-	1			600
			EX210D51010		-	1			600
			EX210D52010		-	1			600
			EX210D52020		-	1			600
23	278-95101-03		LABEL (MODEL)		-	1			600
30	043-04400-50		FUEL TANK CAP CP		-	1			600
40	064-13600-10		FUEL FILTER		-	1	36DX46DX43H		600
45	*****		FUEL GAUGE CP						
	064-80002-00		EX210D10020		-	1			600
			EX210D20010		-	1			600
			EX210D40010		-	1			600
3	*****		SCREW (COUNTER HEAD)						
	014-50500-40		EX210D10020		-	2	M5X0. 8X10L		600
			EX210D20010		-	2			600
			EX210D40010		-	2			600
48	050-51200-20		UNION		-	1			600
60	002-38060-00		FLANGE NUT		-	2			600
63	011-00601-30		FLANGE BOLT		-	1	M6X1. 0X25L		600
80	085-10600-00		RUBBER PIPE		-	1	6DX12D		600
90	056-11000-30		HOSE CLAMP		-	2	10DX8BX1T		600
210	278-62301-00		CARBURETOR AY		-	1			640
	278-62302-00		EX210D10020		-	1			640
			EX210D20010		-	1			640
			EX210D40010		-	1			640

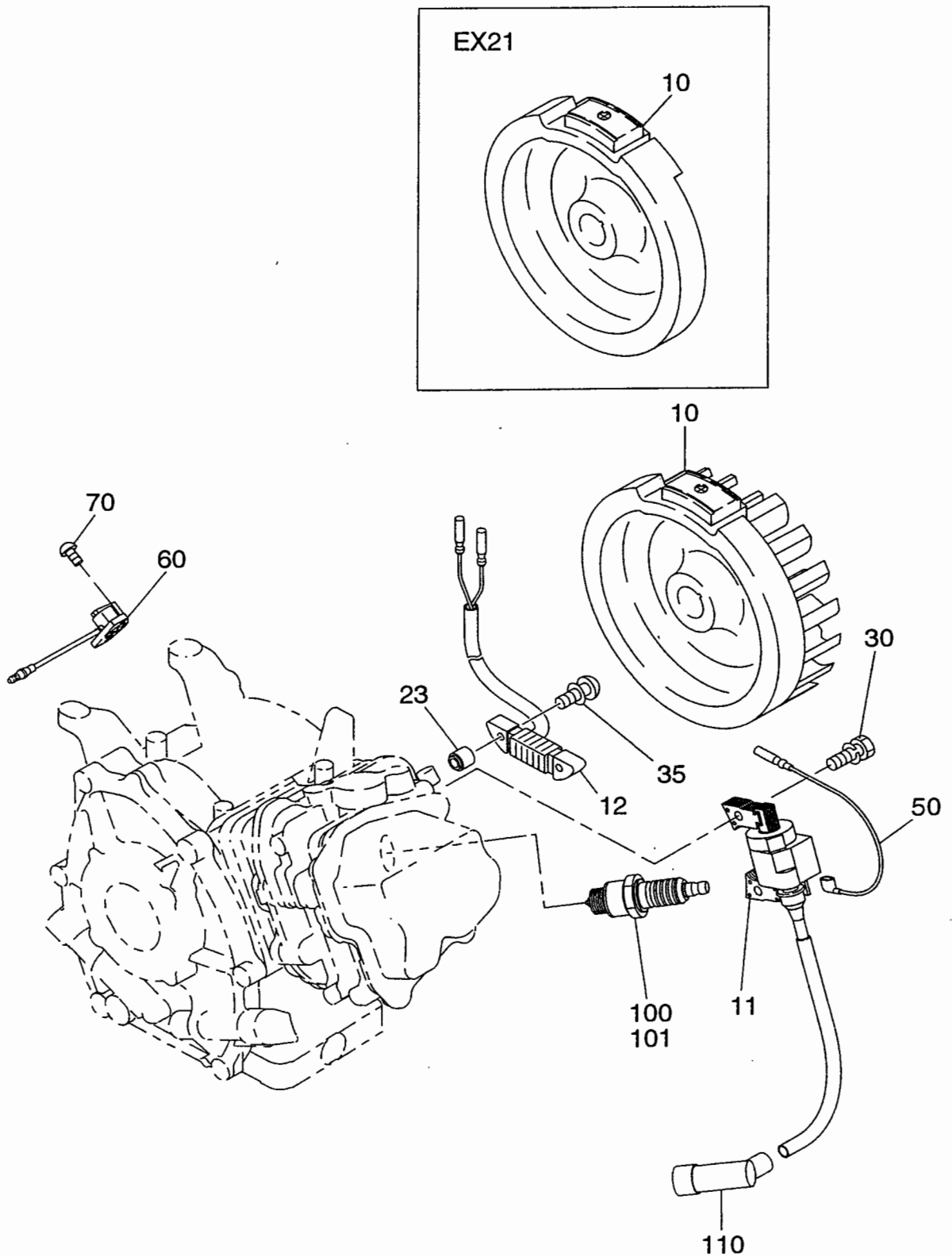
6 FUEL LUBRICANT

REF. NO.	PART NUMBER		PART NAME		CODE NO. FROM - TO	QTY	REMARKS	INTERCHANGEABLE PART NUMBER	FIG. NO.
		PART NUMBER		SPEC. NO.					
210		278-62302-00		EX210D50020	-	1			640
				EX210D51010	-	1			640
				EX210D52010	-	1			640
- 1		277-62535-08		THROTTLE VALVE	-	1			640
- 3		277-62525-08		CHOKE VALVE	-	1			640
- 5		252-62420-08		PILOT JET	-	1			640
- 8		277-62520-08		CHOKE LEVER	-	1			640
- 11		277-62530-08		THROTTLE SHAFT	-	1			640
		277-62531-08		EX210D10020	-	1			640
				EX210D20010	-	1			640
				EX210D40010	-	1			640
				EX210D50020	-	1			640
				EX210D51010	-	1			640
				EX210D52010	-	1			640
- 12		227-62451-08		BOLT	-	1			640
- 14		277-62500-08		NEEDLE	-	1			640
- 15		277-62515-08		PIN	-	1			640
- 16		277-62505-08		FLOAT BODY	-	1			640
- 17		214-62450-08		PACKING	-	1			640
- 18		214-62540-08		CHAMBER PACKING	-	1			640
- 19		226-62506-08		FLOAT AY	-	1			640
- 20		278-62440-08		MAIN NOZZLE	-	1			640
- 22		278-62400-08		MAIN JET	-	1			640
		226-62412-08		EX210D10020	-	1			640
				EX210D20010	-	1			640
				EX210D40010	-	1			640
				EX210D50020	-	1			640
				EX210D51010	-	1			640
				EX210D52010	-	1			640
- 24		226-62701-08		CLIP	-	1			640
- 28		277-62350-08		BOLT	-	1			640
- 32		*****		SEAL					
		246-62390-08		EX210D10020	-	1			640
				EX210D20010	-	1			640
				EX210D40010	-	1			640
				EX210D50020	-	1			640

6 FUEL LUBRICANT

REF. NO.	PART NUMBER		PART NAME		CODE NO. FROM - TO	QTY	REMARKS	INTERCHANGEABLE PART NUMBER	FIG. NO.
				SPEC. NO.					
- 32	246-62390-08		EX210D51010		-	1			640
			EX210D52010		-	1			640
- 41	230-62446-08		SPRING		-	1			640
- 44	107-62410-08		AIR JET		-	1			640
- 45	106-62410-08		AIR JET (PILOT)		-	1			640
- 62	*****		SEAL						
	236-62680-08		EX210D10020		-	1			640
			EX210D20010		-	1			640
			EX210D40010		-	1			640
			EX210D50020		-	1			640
			EX210D51010		-	1			640
			EX210D52010		-	1			640
-104	236-62541-08		PACKING		-	1			640
224	277-43801-01		CHOKE LEVER CP		-	1			600

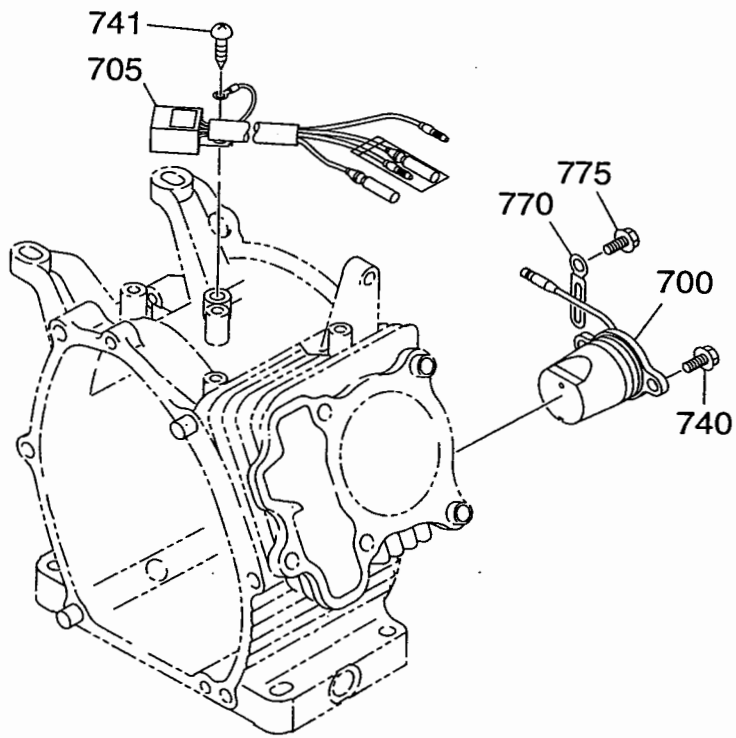
FIG. 700



EX13/17/21

2770700003

FIG. 770



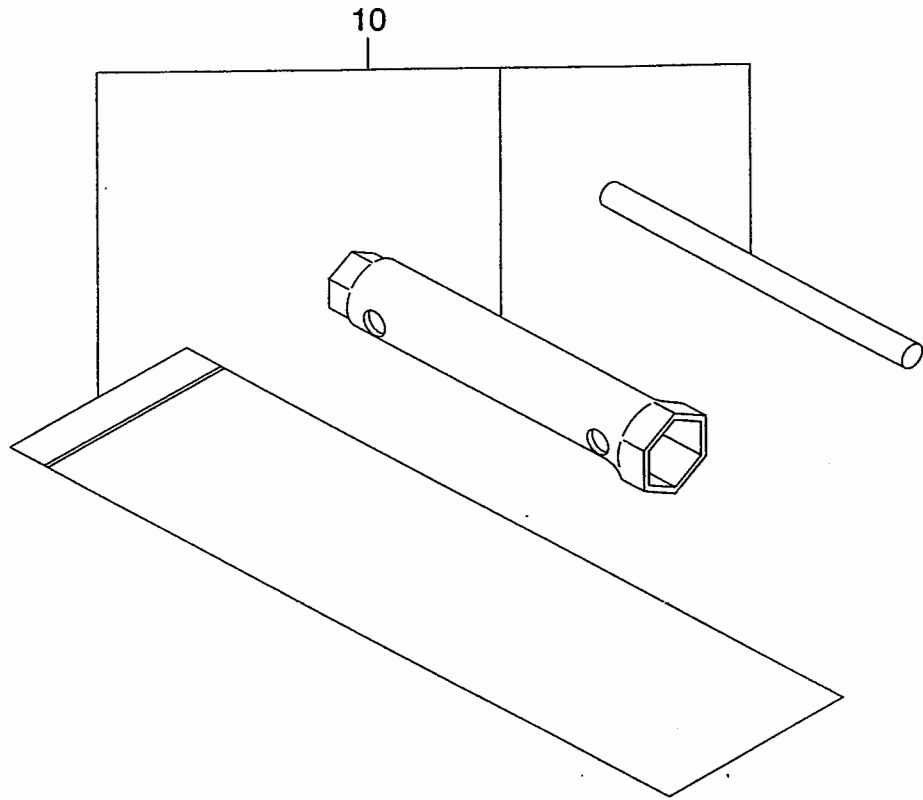
7 ELECTRIC DEVICE

REF. NO.	PART NUMBER		PART NAME		CODE NO. FROM - TO	QTY	REMARKS	INTERCHANGEABLE PART NUMBER	FIG. NO.
				SPEC. NO.					
10	278-79240-11		FLYWHEEL CP		-	1			700
	278-79241-01		EX210D20010		-	1			700
11	277-79430-11		IGNITION COIL CP		-	1			700
12	*****		LAMP COIL CP						
	277-79301-01		EX210D20010		-	1			700
23	*****		SPACER						
	277-79501-03		EX210D20010		-	1			700
30	001-14062-50		BOLT AND WASHER AY		-	2			700
35	*****		BOLT AND WASHER AY						
	001-13063-50		EX210D20010	5511-		2			700
	004-35062-50		EX210D20010	-5510		2			700
50	277-73101-01		WIRE 1 CP		-	1	L=360 BLACK CB104TER		700
	277-73102-01		EX210D20010		-	1	L=360 BLACK CW104TER		700
			EX210D50020		-	1			700
			EX210D51010		-	1			700
			EX210D52010		-	1			700
			EX210D52020		-	1			700
60	X66-00003-61		SWITCH AY		-	1			700
70	015-00400-90		TAPPING SCREW		-	2	M4X10L		700
100	065-01401-50		SPARK PLUG		-	1	NGK BR6HS		700
101	RL86C		SPARK PLUG		-	1	CHAMPION		700
110	065-50002-70		SPARK PLUG CAP		-	1			700
700	*****		OIL SENSOR CP						
	277-76301-01		EX210D20010		-	1			770
			EX210D50020		-	1			770
			EX210D51010		-	1			770
			EX210D52010		-	1			770
			EX210D52020		-	1			770
705	*****		FLOAT C/U CP3						
	KU3-11043-01		EX210D20010		-	1			770
			EX210D50020		-	1			770
			EX210D51010		-	1			770
			EX210D52010		-	1			770
			EX210D52020		-	1			770
740	*****		BOLT AND WASHER AY						
	001-14061-60		EX210D20010		-	2			770

7 ELECTRIC DEVICE

REF. NO.	PART NUMBER		PART NAME		CODE NO. FROM - TO	QTY	REMARKS	INTERCHANGEABLE PART NUMBER	FIG. NO.
		PART NUMBER		SPEC. NO.					
740		001-14061-60		EX210D50020	-	2			770
				EX210D51010	-	2			770
				EX210D52010	-	2			770
				EX210D52020	-	2			770
741		*****		TAPPING SCREW					
		015-20500-10		EX210D20010	-	1	M5X10L		770
				EX210D50020	-	1			770
				EX210D51010	-	1			770
				EX210D52010	-	1			770
				EX210D52020	-	1			770
770		*****		CLAMP CP					
		214-79006-01		EX210D20010	-	1			770
				EX210D50020	-	1			770
				EX210D51010	-	1			770
				EX210D52010	-	1			770
				EX210D52020	-	1			770
775		*****		FLANGE BOLT					
		011-00600-20		EX210D20010	-	1	M6X1.0X12L		770
				EX210D50020	-	1			770
				EX210D51010	-	1			770
				EX210D52010	-	1			770
				EX210D52020	-	1			770

FIG. 900

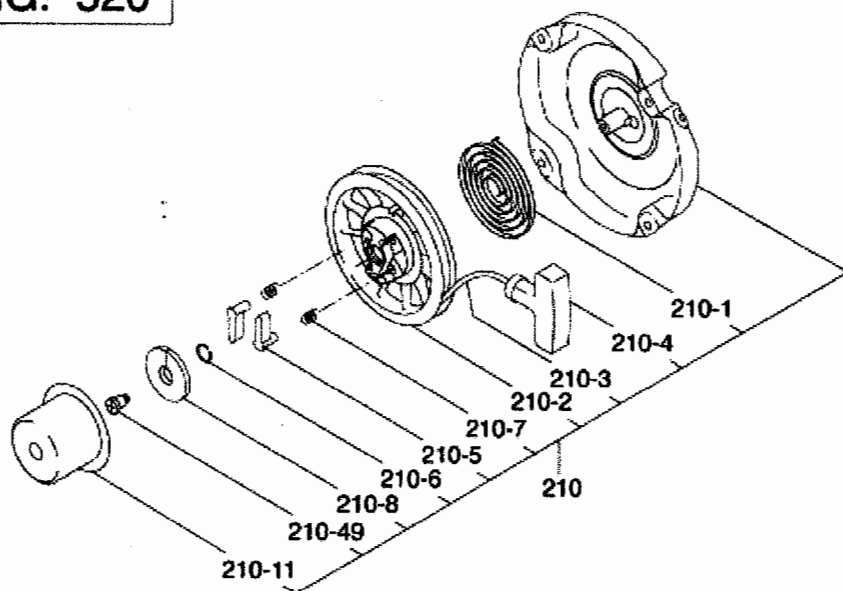


9 ACCESSORIES LABEL

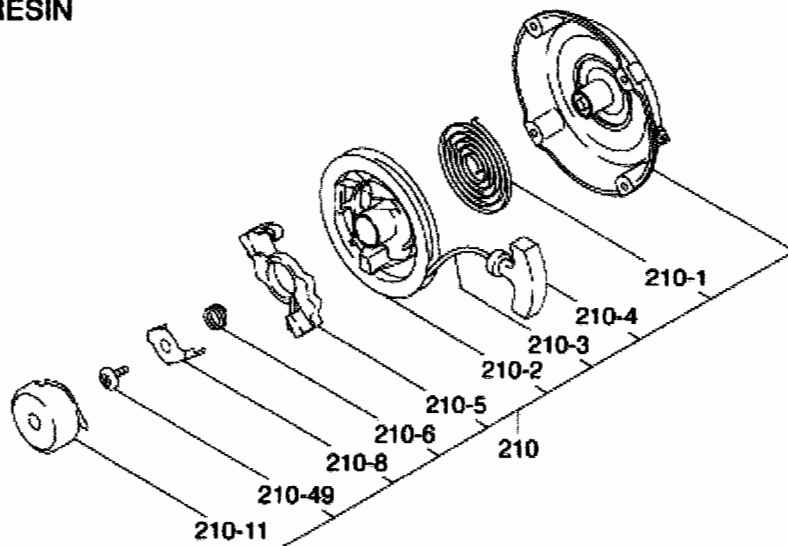
REF. NO.	PART NUMBER		PART NAME		CODE NO. FROM - TO	QTY	REMARKS	INTERCHANGEABLE PART NUMBER	FIG. NO.
		PART NUMBER		SPEC. NO.					
10		277-90301-H0		ACCESSORY TOOL KIT	-	1			900

EX210D00000/520 COOLING STARTING

FIG. 520



RESIN



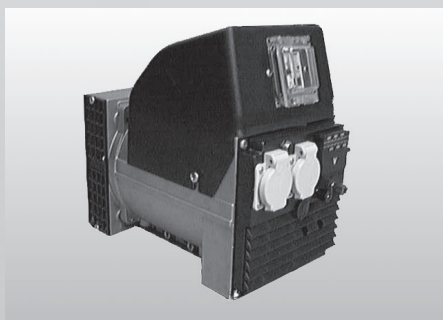
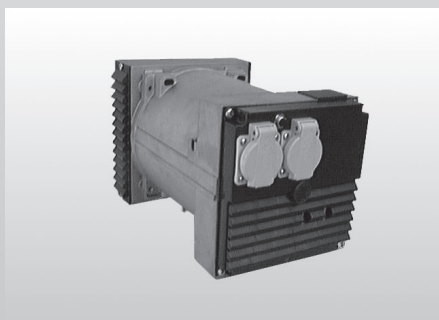
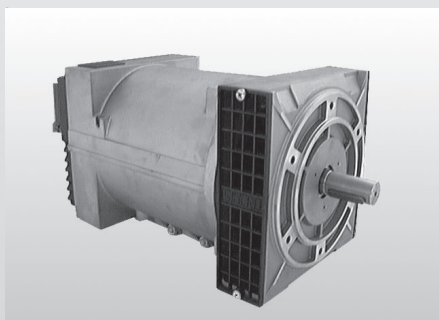
EX210D00000/520 COOLING STARTING

Ref.No.	Part Number	Description	Q'ty	Remarks	Code No.	Interchangeable Part Number
210	278-50201-20	RECOIL STARTER AY	1	160PD	5814-	
210	278-50201-10	RECOIL STARTER AY	1	160PD	-5813	278-50201-20
210-1	270-50115-08	SPIRAL SPRING	1		-	
210-2	269-50120-08	REEL	1		-	
210-3	282-50111-18	STARTER ROPE	1		5814-	
210-3	106-50111-08	STARTER ROPE,HI-JUM	1		-5813	
210-4	261-50100-08	STARTER KNOB	1		-	
210-5	270-50125-08	RATCHET	2		-	
210-6	227-50131-08	FRICTION SPRING	1		-	
210-7	227-50135-08	RETURN SPRING	2		5814-	
210-8	270-50261-08	RATCHET GUIDE	1		-	
210-11	278-50145-08	STARTER PULLEY	1		-	
210-49	227-50152-08	SET SCREW	1		-	



serie ER

**MANUALE D'USO E MANUTENZIONE
USE AND MAINTENANCE MANUAL
MANUEL POUR L'EMPLOI ET L'ENTRETIEN
BEDIENUNGS - UND WARTUNGANLEITUNG
MANUAL PARA EL USO Y MANTENIMIENTO**



INFORMAZIONI GENERALI

Le presenti istruzioni hanno lo scopo d'indicare le corrette condizioni d'impiego e manutenzione dei generatori SINCRO.

VERIFICHE PRELIMINARI

Si raccomanda di esaminare l'alternatore per verificare che non abbia subito danni durante il trasporto.

IMMAGAZZINAGGIO

In caso di inutilizzo prolungato, l'alternatore deve essere immagazzinato in luogo asciutto e coperto.

Prima della messa in servizio, dopo lunghi periodi di inattività, controllare la bontà d'isolamento di tutti gli avvolgimenti; valori accettabili devono essere maggiori di 2 MΩ. In caso contrario si deve procedere all'essiccazione del solo alternatore in forno (60+80°C).

INSTALLAZIONE

Prima della messa in funzione, verificare la bontà dei collegamenti, e l'assenza d'impedimenti alla rotazione del rotore.

Fare attenzione che le aperture per l'aspirazione e espulsione dell'aria non siano ostruite, evitare inoltre che l'alternatore aspiri l'aria calda espulsa dall'alternatore stesso e/o dal motore.

COLLEGAMENTO ELETTRICO

Rispettare le norme di sicurezza vigenti del paese d'utilizzo.

Verificare che i dati di targa siano conformi alle caratteristiche dell'impianto a cui la macchina verrà collegata.

Provvedere al collegamento a terra del gruppo.

MANUTENZIONE

Verificare che non ci siano anomalie, come vibrazioni - rumori - uscite d'aria ostruite.



ATTENZIONE!

Non toccare l'alternatore durante il funzionamento e subito dopo l'arresto del gruppo, in quanto vi potrebbero essere superfici a temperatura elevata

Le macchine elettriche rotanti sono macchine che presentano parti pericolose in quanto poste sotto tensione o dotate di movimento durante il funzionamento, pertanto:

- un uso improprio
- la rimozione delle protezioni e lo scollegamento dei dispositivi di protezione
- la carenza di ispezioni e manutenzione possono causare gravi danni a persone o cose.

Di conseguenza per ogni operazione di carattere elettrico o meccanico si richiede personale qualificato.

GENERAL INFORMATION

The object of these instructions is to indicate correct operating - maintenance conditions.

PRELIMINARY CHECKS

We recommend inspecting the alternator after shipping for damage.

STORAGE

In case the alternator is not installed immediately, it should be kept indoors in a dry place.

Before starting the alternator, after a long period of inactivity or storage, the insulation resistance of the winding must be measured. An acceptable value is at least 2 MΩ. If this is not reached, only the alternator must be dried in an oven at 60 + 80 °C.

INSTALLATION

Before starting we recommended checking the connections and make sure that there is no obstacle to the rotation of the rotor.

Make sure that the air inlet and outlet are free from obstacles.

Prevent the alternator from sucking the warm air from the motor or itself.

ELECTRIC CONNECTION

The electric connection must be performed in accordance with the local regulations in force. Make sure that the rating plate data correspond to the specifications of the power mains to which the machine will be connected. Provide the unit with adequate grounding.

MAINTENANCE

Check periodically if there are any anomalies such as vibrations - noise - obstructions of inlets and outlets.



WARNING!

Never touch the alternator during operation or immediately after the stopping of the unit because some surface parts might still be very hot.

Electric rotating machines have dangerous parts: when operating they have live and rotating components. Therefore:

- improper use
- the removal of protective covers and the disconnection of protection devices
- inadequate inspection and maintenance can cause personal injury or property damage.

Electrical and mechanical servicing must be performed by qualified personnel only.

INFORMATIONS GENERALES

Le présent mode d'emploi a pour objet de donner les informations nécessaires à un emploi et à un entretien correct des générateurs SINCRO.

VERIFICATIONS PRELIMINAIRES

Contrôler l'état de l'alternateur afin de relever les dommages éventuels subis durant le transport.

STOCKAGE

En cas de non-utilisation prolongée de l'alternateur, ce dernier doit être stocké dans un lieu sec et à l'abri des agents atmosphériques. Après une période de non-utilisation prolongée, la mise en service doit être précédée par un contrôle de l'isolement de tous les enroulements. Les valeurs acceptables doivent être supérieures à 2MΩ. Si tel n'est pas le cas, procéder à la dessiccation de l'alternateur dans un four (60+80°C).

INSTALLATION

Avant la mise en service, vérifier la qualité des connexions et qu'il n'existe aucun empêchement à la rotation du rotor.

S'assurer que les ouvertures pour la ventilation ne sont pas obstruées. Eviter que l'alternateur aspire ses propres émanations d'air chaud ou celles émises par le moteur.

CONNEXION ELECTRIQUE

Respecter les normes de sécurité en vigueur dans le pays d'installation. Vérifier la conformité des données de plaque aux caractéristiques de l'installation à laquelle la machine sera branchée. Effectuer la liaison du groupe avec la borne de terre.

ENTRETIEN

Vérifier périodiquement le bon fonctionnement du groupe afin de relever d'éventuelles anomalies comme, vibrations - bruits suspects - obstruction des sorties d'air.



ATTENTION!

Ne pas toucher l'alternateur lors de son fonctionnement et tout de suite après l'arrêt du groupe à cause d'un risque de température élevée des surfaces.

Les machines électriques rotatives présentent des parties dangereuses car elles sont sous tension ou dotées de mouvement. C'est pourquoi:

- Une utilisation non conforme,
- La violation des protections et le débranchement de ces derniers,
- Un manquement dans les contrôles et l'entretien,

peuvent causer de graves dommages aux personnes et aux matériels.

Toutes les opérations à caractère électrique ou mécanique demandent donc l'intervention de personnel qualifié.

ALLGEMEINE INFORMATIONEN

Diese Anleitung dient zur richtigen Verwendung und Wartung der SINCRO Generatoren.

VORPRÜFUNG

Es wird empfohlen, sich zu überzeugen, daß der Generator keinen Versandschaden erlitten hat.

LAGERUNG

Wenn man für eine lange Zeit den Generator nicht verwendet, soll er auf einer trockenen Stelle gelagert werden. Vor der Inbetriebsetzung ist es besser, die Isolierung aller Wicklungen zu prüfen; nur ein über $2M\Omega$ liegender Wert ist akzeptabel, sonst ist das Trocknen des Generators im Ofen ($60+80^{\circ}C$) erforderlich.

INSTALLATION

Vor der Inbetriebnahme, sind die Anschlüsse auf ihre guten Zustand zu prüfen, der Rotor soll hindernisfrei rotieren können. Sich überzeugen, daß die Öffnungen für die Luftansaugung und den Luftauslaß nicht verstopft sind.

Es ist zu vermeiden, daß der Wechselstromgenerator die vom Generator selbst bzw. vom Motor ausgestoßene Warmluft ansaugt.

ANSCHLUSS

Für den Anschluß die landesgültigen Unfallschutzvorschriften einhalten.

Sich überzeugen, daß die Daten des Schildes den Eigenschaften der Anlage entsprechen, an die die Maschine angeschlossen wird.

Für den Erdungsanschluß des Aggregats vorsehen.

WARTUNG

Es ist wichtig, daß keine Schwingungen, Geräusche, verstopfte Luftauslässe vorhanden sind.



ACHTUNG

Den Generator während des Betriebs und gleich nach dem Anhalten des Aggregats nicht anfassen, da die Flächen heiß sein könnten.

Elektrische Rotationmaschinen weisen gefährliche Teile auf, die entweder unter Spannung stehen oder während des Maschinenbetriebs drehen.

Daher können:

- unsachgemäßer Gebrauch;
- Entfernen der Schutzverkleidungen und Überbrücken oder Abklemmen der Schutzeinrichtungen
- mangelhafte Inspektion oder Wartung zu schweren Personen- oder Sachschäden führen.

Daher soll jeder elektrische oder mechanische Eingriff von Fachpersonal vorgenommen werden.

INFORMACIONES GENERALES

Este manual ha sido recopilado con el objetivo de suministrar al usuario todas las indicaciones necesarias sobre el correcto empleo y mantenimiento de los alternadores SINCRO.

VERIFICACIÓN PRELIMINAR

Aconsejamos comprobar que el alternador no haya sufrido daños durante el transporte.

ALMACENAJE

En caso de largos períodos de inactividad, hay que almacenar el alternador en un lugar seco y cubierto.

Antes de la puesta en marcha, después de un período largo de inactividad, controlar el aislamiento de todos los bobinados, valores aceptables tienen que ser mayores de los $2M\Omega$. En caso contrario hay que secar sólo el alternador en horno ($60+80^{\circ}C$).

INSTALACIÓN

Antes de la puesta en marcha verificar el estado de las conexiones y comprobar que no hay nada que pueda impedir la rotación del rotor.

Controlar que los orificios de aspiración-expulsión del aire no están obstruidos, además evitar que el alternador aspire aire caliente evacuado por el mismo alternador y/o por el motor.

CONEXIÓN ELÉCTRICA

Respetar las normas de seguridad vigentes en el país de utilización.

Verificar que los datos de placa corresponden a las características de la red en el lugar de instalación de la máquina.

Efectuar la puesta a tierra del grupo.

MANTENIMIENTO

Comprobar que no hay anomalías como vibraciones, ruidos y salidas de aire obstruidas.



ATENCIÓN

Nunca tocar el alternador durante el funcionamiento o inmediatamente después de la parada del grupo, dado que hay superficies de temperatura elevada

Las máquinas eléctricas giratorias son máquinas que tienen piezas peligrosas ya que están bajo tensión o se mueven durante el funcionamiento. Por lo tanto:

- el uso inadecuado
- la remoción de las protecciones y la desconexión de los dispositivos de seguridad
- la falta de chequeo y mantenimiento, pueden causar daños graves a personas o cosas.

Por consiguiente, las operaciones de carácter eléctrico o mecánico deben llevarse a cabo únicamente por personas cualificadas.

ISTRUZIONI PER IL MONTAGGIO (FORMA IM B35)

ATTENZIONE: prima del montaggio verificare che le sedi coniche di accoppiamento (sia dell'alternatore che del motore) siano regolari e ben pulite.

- 1) Fissare lo scudo copriventola (3) al motore (dopo averlo tolto dall'alternatore).
- 2) Applicare il tirante (6) per il fissaggio assiale del rotore avvitandolo sulla sporgenza dell'albero motore.
- 3) Fissare l'alternatore completo (statore e rotore assieme) allo scudo usando i 4 tiranti M8 (17) e i dadi autobloccanti M8 (D)
- 4) Bloccare assialmente il rotore avvitando il dado autobloccante M8 (D) sul tirante (6).
Attenzione: prima di applicare il dado osservare che parte della porzione filettata del tirante entri nel rotore permettendo così un sicuro bloccaggio.
- 5) Montare il tappo (13).
Fissare le due griglie di protezione (1).
- 6) Supportare il gruppo con adeguati antivibranti (A) curando il corretto allineamento tra motore e alternatore

ASSEMBLY INSTRUCTIONS (IM B35 COUPLING)

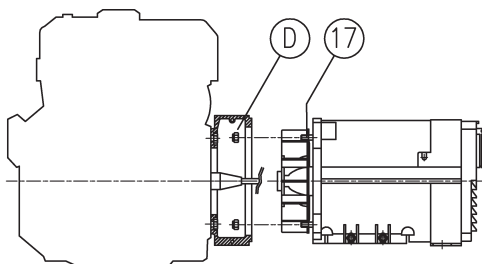
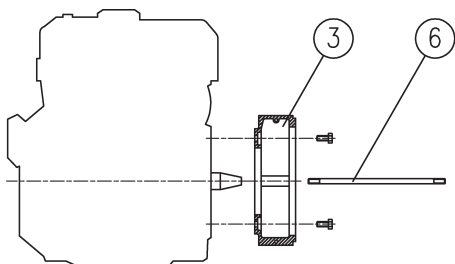
ON: before assembly make sure that the conical coupling housings for both the alternator and the motor are in order and clean.

- 1) Clamp the fan shield (3) on the drive motor (after removing it from the alternator).
- 2) Apply the tie rod (6) for the axial clamping of the rotor, and screw it on the drive shaft.
- 3) Fasten the complete alternator (stator and rotor together) to its shield, using the 4 tie rods M8 (17) and the M8 (D) self-locking nuts.
- 4) Axially lock the rotor in place by tightening the M8 (D) self-locking nut on the tie rod (6).
Caution: before applying the nut, make sure that the threaded part of the rod partially enters the rotor in order to obtain tight locking.
- 5) Fasten the tap (13).
Fasten the protection grid (1).
- 6) Support the unit on appropriate vibration dampeners (A) taking care on the alignment between engine and alternator.

INSTRUCTIONS POUR LE MONTAGE (FORME IM B35)

ATTENTION: Avant d'effectuer le montage, vérifier que les sièges coniques d'accouplement (de l'alternateur comme du moteur) sont en ordre et bien nettoyés.

- 1) Fixer le bouclier couvre-rotor (3) au moteur (après l'avoir désolidarisé de l'alternateur).
- 2) Mettre en place la tige (6) de fixation axiale du rotor en la vissant à l'ergot de l'arbre moteur.
- 3) Fixer l'alternateur (complet avec stator et rotor) au bouclier au moyen de 4 tiges M8 (17) et les écrous autobloquants M8 (D).
- 4) Bloquer l'axe du rotor en serrant l'écrou autobloquant M8 (D) sur la tige centrale (6).
Attention: Avant de mettre en place l'écrou, contrôler que la partie filetée de la tige est insérée dans le rotor permettant ainsi un blocage sûr.
- 5) Fixer le bouchon (13).
Fixer les deux grilles de protection (1).
- 6) Soutenir le groupe avec des amortisseurs de vibrations (A) en faisant attention que le moteur et l'alternateur soient dans le même axe.



REGOLAZIONE DELLA VELOCITA'

La frequenza e la tensione dipendono direttamente dalla velocità di rotazione, la quale deve quindi rimanere il più possibile costante al variare del carico.

Considerando che il sistema di regolazione della velocità dei motori di trascinamento presenta in generale una leggera caduta di giri tra vuoto e carico, si raccomanda di regolare la velocità a vuoto circa il 3-4% superiore alla velocità nominale.

Con questa regolazione la tensione erogata dall'alternatore a vuoto risulta circa il 5% superiore al valore nominale.

SPEED ADJUSTMENT

Frequency and voltage depend directly on the speed of revolution, which must therefore remain as constant as possible when the load varies.

The speed adjustment system of the drive motors usually gives a slight drop in revolutions between no load and load, so when the no load speed is being adjusted, it is best to set it at approx. 3-4% above the rated speed.

With this adjustment the no load voltage supplied by the alternator will be about 5% over its rated value.

RÉGLAGE DE LA VITESSE

La fréquence et la tension dépendent directement de la vitesse de rotation qui doit rester le plus possible constante quand la charge varie.

Vu que le système de réglage de la vitesse des moteurs d'entraînement présente en général une légère baisse du nombre de tours à vide ou en charge, il est conseillé de régler la vitesse à vide à une valeur supérieure de 3 à 4 % par rapport à la vitesse nominale.

Avec ce réglage, la tension générée par l'alternateur à vide est supérieure d'environ 5 % par rapport à la vitesse nominale.

MONTAGEANLEITUNG (IMB35 ANSCHLUSS)

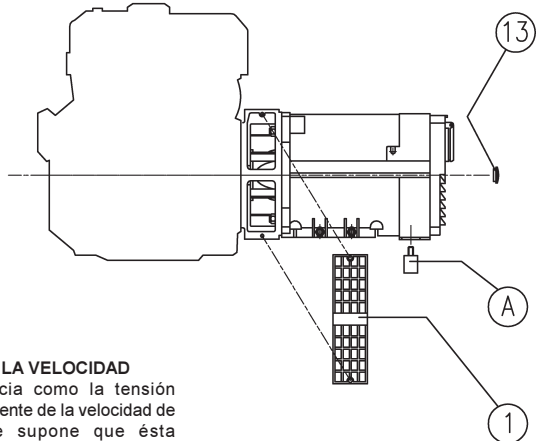
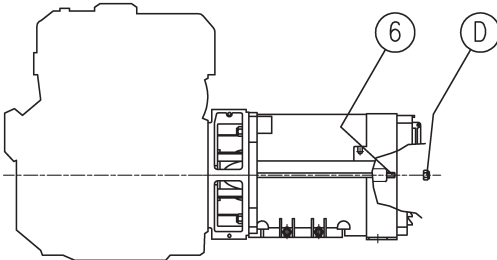
ACHTUNG: Sich vor dem Einbau überzeugen, daß die kegelförmigen Kupplungssitze (sowohl des Generators als auch des Motors) regelmäßig und sauber ist.

- 1) Das Flügelrad-Abdeckschild (3) am Motor befestigen (nachdem es vom Generator entfernt wurde).
- 2) Die Spannstange (6) für die Längsbefestigung des Rotors anbringen und sie auf der Vorkragung der Motorwelle festschrauben.
- 3) Den vollständigen Generator (Stator und Rotor zusammen) mit den 4 Spannstangen M8 (17) und den selbstsperrenden M8 Muttern (D) am Kasten befestigen.
- 4) Den Rotor axial blockieren, und die selbstsperrende M8 Mutter (D) an die Spannstange (6) anzuschrauben.
Achtung: bevor die Mutter angebracht wird, beachten, dass ein Teil des Gewindes der Spannstange in den Rotor eintritt und dadurch eine sichere Blockierung ermöglicht.
- 5) Den Stopfen (13) montieren.
Den zwei Schutzgitter (1) montieren.
- 6) Das Aggregat mit geeigneten Schwingungsdämpfern (A) stützen, dabei die korrekte Ausrichtung zwischen Motor und Generator beachten.

INSTRUCCIONES DE MONTAJE (ACOPLAMIENTO IMB35)

AVISO: Antes del montaje cerciorarse de que los asientos cónicos de acoplamiento (tanto del alternador como del motor) son regulares y limpios.

- 1) Fijar el escudo cubreventilador (3) al motor (después de haberlo sacado del alternador).
- 2) Aplicar el tirante (6) para la fijación axial del rotor enroscándolo en la parte saliente del eje motor.
- 3) Fijar el alternador completo (estator y rotor juntos) en el escudo utilizando los 4 tirantes M8 (17) y las tuercas de seguridad M8 (D).
- 4) Bloquear axialmente el rotor enroscando la tuerca autobloqueante M8 (D) en el tirante (6).
Aviso: para realizar un bloqueo seguro, antes de aplicar la tuerca hacer entrar una parte de la pieza fileteada del tirante en el rotor.
- 5) Montar el tapón (13).
Fijar las dos rejillas de protección (1)
- 6) Sostener el grupo con antivibradores (A) adecuados cuidando de que el motor y el alternador se encuentren correctamente alineados.



EINSTELLUNG DER GESCHWINDIGKEIT

Frequenz und Spannung hängen direkt von der Drehgeschwindigkeit ab, die daher bei Lastveränderung so konstant wie möglich bleiben muss.

Unter Berücksichtigung, dass das Regulierungssystem der Geschwindigkeit der Mitnehmermotoren im allgemeinen einen leichten Drehzahlabfall zwischen Leerlauf und Last aufweist, wird empfohlen, die Leerlaufgeschwindigkeit auf ca. 3-4% höher als die Nenngeschwindigkeit einzustellen.

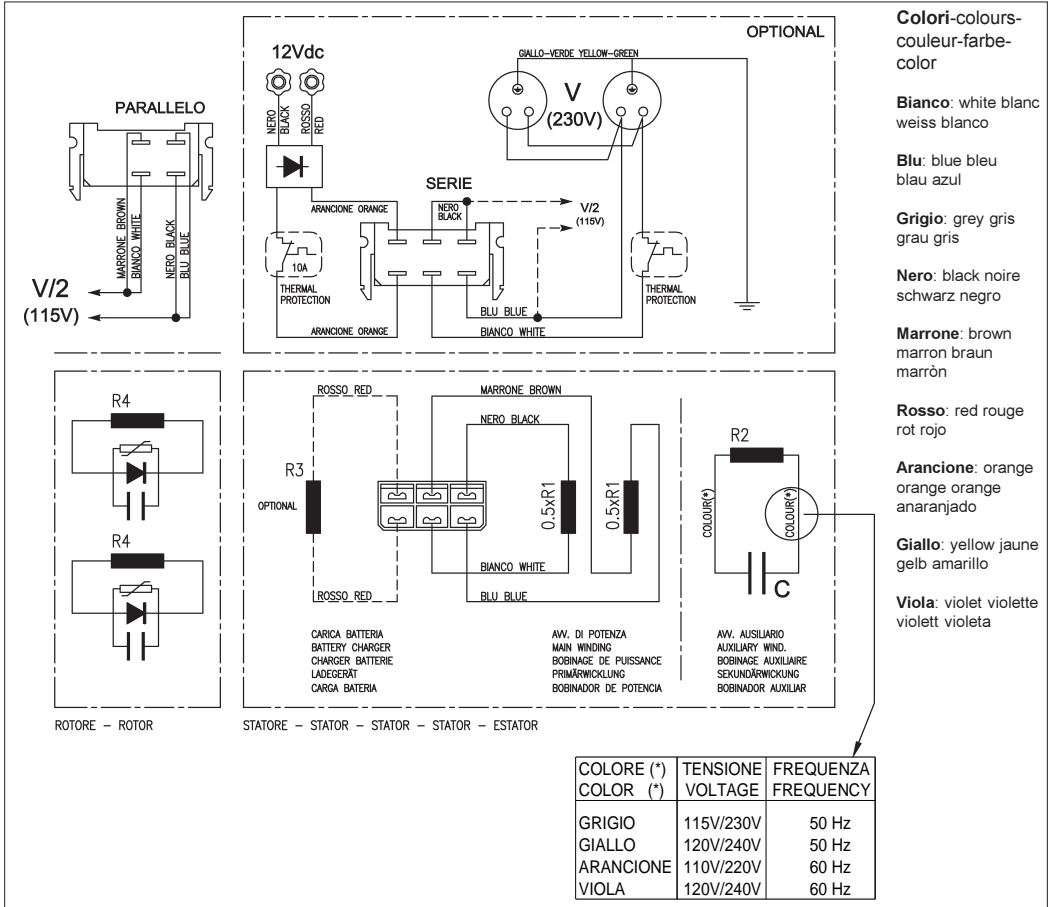
Mit dieser Regulierung wird die vom Wechselstromgenerator bei Leerlauf gelieferte Spannung ca. 5% höher als der Nennwert sein.

REGULACIÓN DE LA VELOCIDAD

Tanto la frecuencia como la tensión dependen directamente de la velocidad de rotación, lo que supone que ésta permanecerá lo más posible constante al variar la carga.

Dado que el sistema de regulación de la velocidad de los motores de arrastre presenta una ligera disminución de revoluciones entre vacío y cargado, se recomienda regular la velocidad en vacío alrededor del 3-4% superior a la velocidad nominal.

De hacerlo así, la tensión suministrada por el alternador en vacío resultará de casi el 5% superior al valor nominal.



Resistenze degli avvolgimenti a 20°C

Winding resistances at 20°C

Résistances bobines à 20°C

Widerstand der Wicklung bei 20°C

Resistencias de los bobinados a 20°

Tipo Type Type Typ Tipo	50 Hz - 3000 r.p.m. - 230V						60 Hz - 3600 r.p.m. - 240V					
	Potenza Power Puissance Leistung Potencia	Statore Stator Stator Stator Estator	Auxiliario Auxiliary Excitation Erregung Excitación	Carica batt. Batt. charger Char. Batt. Ladegerät Carga batería	Rotore Rotor Rotor Rotor Rotor	Condensat. Capacitor Condensat. Kondensator. Condensat.	Potenza Power Puissance Leistung Potencia	Statore Stator Stator Stator Estator	Auxiliario Auxiliary Excitation Erregung Excitación	Carica batt. Batt. charger Char. Batt. Ladegerät Carga batería	Rotore Rotor Rotor Rotor Rotor	Condensat. Capacitor Condensat. Kondensator. Condensat.
	kVA	(R1) Ω	(R2) Ω	(R3) Ω	(R4) Ω	(450V) μF	kVA	(R1) Ω	(R2) Ω	(R3) Ω	(R4) Ω	(450V) μF
ER2S-L	1.7	3.7	6.9	0.25	1.6	20	2.1	2.8	5.7	0.21	1.6	20
ER2S-L	2.2	2.8	5.6	0.2	1.7	25	2.7	2.11	4.7	0.18	1.7	25
ER2S-L	3	2.1	3.1	0.19	1.9	30	3.7	1.6	2.6	0.16	1.9	30
ER2C-L	4.2	1.23	2.4	0.15	2.1	36	5.2	0.93	2	0.13	2.1	36

Restituzione macchine in riparazione
Returning machines repaired
Rétour marchandises pour réparation
Rückgabe der maschinen zur reparatur
Devolución máquinas en reparación

Lo scopo della presente scheda è assicurare al Cliente un valido ed efficiente servizio di assistenza. Questa scheda dovrà essere consegnata all'utilizzatore finale da parte del venditore locale.

The scope of this card is to ensure the client with a valid and efficient assistance service. This card must be given to the purchaser by the local dealer.

Le but de la présente fiche est d'assurer au client un service après-vente rapide et efficace. Cette fiche devra être communiquée à l'utilisateur final de la part du revendeur agréé.

Zweck dieser Karte ist, dem Kunden einen guten und wirksamen Kundendienst zu gewährleisten. Diese Karte soll dem Endbenutzer vom lokalen Verkäufer übergeben werden.

Esta ficha se remite al Cliente con la finalidad de garantizarle un servicio de postventa válido y eficiente. El revendedor local tiene que suministrarla al usuario final.

PROCEDURA

Nel caso di guasti o anomalie di funzionamento delle macchine Sincro, il Cliente è invitato ad interpellare il nostro "Servizio Assistenza" telefonando al 0445-450500.

Se, dopo tale contatto, risultasse necessaria la restituzione del prodotto, il nostro "Servizio Assistenza" fornirà al Cliente un numero di "Rientro Materiale Autorizzato" (RMA), che dovrà essere riportato sui documenti di accompagnamento del materiale che nella presente Scheda di Riparazione.

Prodotti resi senza aver seguito la descritta procedura e privi della scheda di riparazione, verranno respinti al mittente dal magazzino accettazione.

Per l'eventuale concessione della garanzia è indispensabile che la Sincro sia contattata esclusivamente dal proprio Cliente. Richieste di riparazione provenienti direttamente dall'utilizzatore finale saranno in ogni caso considerate NON in garanzia.

Prima di procedere a riparazioni verrà comunicato un preventivo e si attenderà l'autorizzazione da parte del Cliente.

SCHEDA DI RIPARAZIONE

La scheda di riparazione deve essere compilata per ogni prodotto ed inclusa nell'imballo di restituzione. L'accuratezza nella compilazione renderà il nostro intervento rapido e risolutivo.

SPEEDIZIONE

La merce resa viaggia esclusivamente a spese e a rischio del Cliente indipendentemente dalla concessione dell'intervento in garanzia.

Curare che le macchine siano in ordine, pulite e che l'olio di eventuali moltiplicatori di giri sia stato vuotato.

Si raccomanda di restituire il materiale entro un imballo adeguato curando di proteggere il prodotto dagli urti.

PROCEDURE

Whenever any Sincro machine malfunctions, the client is invited to contact our "Assistance Service" by calling +39 0445 450500. If the decision is made to return the product, we will provide you with an "Authorized Material Return" (RMA) number that must be included both in the delivery documents that accompany the material and this Repair Card. Products that have been returned without following the procedure above and without a Repair Card will be returned to sender.

In order to obtain coverage under the warranty, Sincro must be contacted exclusively by its authorized dealer. Requests for repairs received directly from final user clients will be considered outside the terms of warranty coverage. Prior to performing repair, an estimate will be provided and authorization must be received from the authorized dealer before proceeding with the repair.

REPAIR CARD

A repair card must be compiled for every product and enclosed in the packaged product sent for repair. Providing accurate and complete information in the Repair Card will help us repair the product faster and better.

SHIPMENT

All products to be repaired are shipped at the risk and expense of the client regardless of whether warranty coverage will be claimed or not. The client must make sure that the machines sent for repair are in good order, clean, and that the oil in the overgear system has been drained. We recommend returning the products in adequate packaging that ensures protection against impact.

PROCEDURE

En cas de pannes ou d'anomalies de fonctionnement des machines Sincro, le client est invité à contacter notre "Service Assistance" en téléphonant au +39 0445 450500. Si la suite de ce contact, la restitution du produit s'avère nécessaire, notre "Service Assistance" communiquera au client un numéro pour le "Retour Matériel Autorisé" (RMA) qui devra être reporté sur le document d'accompagnement du matériel comme sur la présente Fiche technique de réparation.

Les produits rendus sans avoir suivi la procédure décrite et privés de la Fiche technique de réparation seront retournés à l'envoyeur. Pour une éventuelle concession de garantie il est indispensable que la Sincro soit contacté directement par le revendeur agréé. Les demandes de réparation effectuées par l'utilisateur final seront considérées comme étant hors garantie. Toute demande de réparation fera l'objet d'un devis.

FICHE TECHNIQUE DE REPARATION

La fiche technique de réparation doit être remplie pour chacun des produits et jointe à la marchandise restituée. La clarté des données fournies permettra une intervention rapide et décisive.

EXPEDITION

Les frais d'expédition sont à la charge du client et cela, indépendamment du fait que la marchandise soit encore sous garantie. Faire en sorte que les machines soient au complet, nettoyées et que l'huile des éventuels multiplicateurs de tours ait été évacuée. Il est conseillé d'expédier la machine dans un emballage adapté et antichoc.

VERFAHREN

Bei Schäden oder Betriebsstörungen der Sincro-Maschinen, ist der Kunde gebeten, unseren "Kundendienst" unter der Nummer +39 0445 450500 anzurufen.

Falls nach dieser Kontaktaufnahme eine Rückgabe des Produkts erforderlich sein sollte, gibt unser "Kundendienst" dem Kunden eine "Nummer für die Rückgabe von autorisiertem Material" (RMA), die sowohl in die Begleitunterlagen des Materials als auch in diese Reparaturkarte einzutragen ist. Produkte, die ohne o.g. Vorgang und ohne Reparaturkarte zurückgegeben werden, werden nicht akzeptiert und von der Annahmestelle an den Absender zurückgegeben. Für eine eventuelle Garantiegewährung ist es erforderlich, daß die Fa. Sincro ausschließlich vom Kunden selbst kontaktiert wird. Vom Endbenutzer gemachte Reparaturanfragen werden in jedem Fall als NICHT unter Garantie stehend falls bearbeitet. Vor der Reparaturausführung wird ein Kostenvoranschlag mitgeteilt und eine Genehmigung seitens des Kunden abgewartet.

REPARATURKARTE

Die Reparaturkarten müssen für jedes Produkt ausgefüllt werden und in der Rückgabeverpackung eingeschlossen sein. Die sorgfältige Ausfüllung ermöglicht einen unsersseitigen raschen und problemisenden Eingriff.

VERSAND

Unabhängig von der Gewährung des Garantieeingriffs, weist die zurückgegebene Ware ausschließlich auf Kosten und Risiken des Kunden. Sich überzeugen, daß die Maschinen in Ordnung und sauber sind und daß das Öl eventueller Drehzahlübersetzer ausgeleert wurde. Es wird empfohlen, das Material in einer entsprechend geeigneten Verpackung zurückzugeben, um das Produkt vor Stößen zu schützen.

PROCEDIMIENTO

En caso de averías o anomalías de funcionamiento de las máquinas Sincro, aconsejamos al Cliente que se ponga en contacto con el Servicio Postventa llamando al número +39 0445 450500. Si a continuación de la llamada fuera necesario devolver el producto, el Servicio de Postventa suministrará al Cliente un número de "Regreso Material Autorizado" (RMA), que deberá encontrarse tanto en los documentos de expedición del material, como en la presente Ficha de Reparación.

Productos devueltos sin haber efectuado el procedimiento descrito anteriormente y los que no tengan la ficha de reparación, se rechazará al Cliente del Almacén de aceptación.

Por lo que respecta a la posible concesión de la garantía, es preciso que Sincro se contacte únicamente por el Cliente; la petición de reparaciones directamente por parte del usuario final han de considerarse NON en garantía. Antes de proceder a la reparación se comunicará un presupuesto al Cliente y se esperará la autorización del mismo.

FICHA DE REPARACIÓN

La ficha de reparación debe completarse para cada producto e incluirse en el embalaje de devolución. La esmerada completación de la ficha permitirá una reparación rápida y eficiente.

ENVÍO

Los gastos de transporte corren por cuenta y riesgo del Cliente, independientemente de la concesión de la intervención en garantía.

Cerciorarse de que las máquinas están limpias y en buen estado, y que el aceite de los posibles multiplicadores de vueltas ha sido vaciado. Aconsejamos devolver el material en un embalaje que permita protegerlo durante el transporte.

Scheda di riparazione:
Repair card:
Fiche technique de réparation:
Reparaturkarte:
Ficha de reparación:

RMA: _____ DATA: _____

Tecnico contattato: _____
 Technician contacted: _____
 Technicien contacté: _____
 Kontaktierter Techniker: _____
 Técnico contactado: _____

Descrizione del prodotto: Description of product: Description du produit: Produktbezeichnung: Descripción del producto:	Modello: Model: Modèle: Modell: Modelo:	Matricola: Serial number: N° de série: Kennummer: Matrícula:
---	---	--

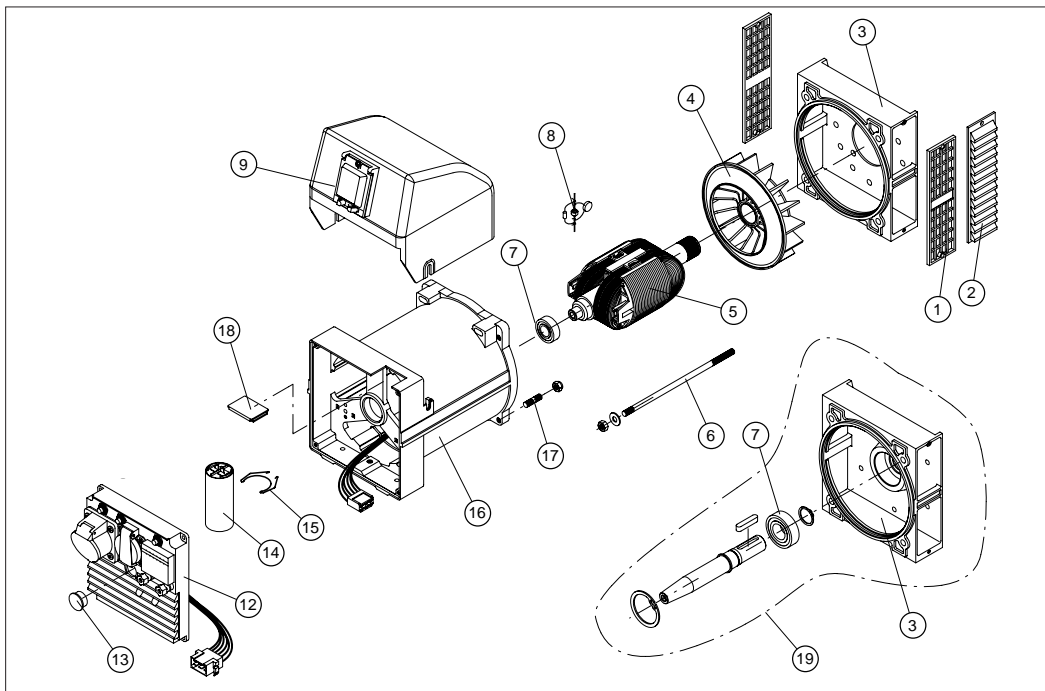
Ditta: Company: Entreprise: Firma: Empresa:	Tel/Fax: _____
	Persona da contattare: Contact person: Contact: Ansprechpartner: Persona a contactar:

*Barrare la casella corrispondente:
 Put an "X" in the corresponding box:
 Barrer la case correspondante:
 Das entsprechende Kästchen ankreuzen:
 Rellenar la casilla correspondiente:*

Motivo della restituzione: Reason for return:. Motif(s) de la restitution: Begründung d. Rückgabe: Motivo de la devolución:	Riparazione: Repair: Réparation: Reparatur: Reparación:	<input type="checkbox"/>	Manutenzione: Maintenance: Entretien: Wartung: Mantenimiento:	<input type="checkbox"/>
---	---	--------------------------	---	--------------------------

IDENTIFICAZIONE CLIENTE - CLIENT IDENTIFICATION - DONNEES D'IDENTIFICATION CLIENT - KUNDENBEZEICHNUNG - IDENTIFICACIÓN DEL CLIENTE			
Absenza di tensione: No voltage: Absence de tension: Spannungsmangel: Falta de tensión:	<input type="checkbox"/>	Problemi sul quadro elettrico: Electrical control panel problems: Problème au niveau des circuits électriques: Probleme am Schaltbrett: Problemas en el cuadro eléctrico:	<input type="checkbox"/>
Tensione bassa: Low voltage: Tension insuffisante: Niederspannung Tensión baja:	<input type="checkbox"/>	Tensione alta: High voltage: Surtension: Hochspannung: Tensión alta:	<input type="checkbox"/>
Problemi meccanici: Mechanical problems: Problèmes mécaniques: Mechanische Probleme: Problemas mecánicos:	_____		
Note: Notes: Remarques: Anmerkungen: Notas:	_____		





Parti di ricambio Spare parts list Pieces detachees Ersatzteilliste Partes de recambio

N.RIF	CODICE SINCRO	DESCRIZIONE	DESCRIPTION	DESCRIPTION	BESCHREIBUNG	DESCRIPCION
1	266062001	Griglia anteriore IP21	Front grid IP21	Grille de protection antérieure IP21	Vorderes Gitter IP21	Rejilla anterior IP21
2	266042001	Griglia anteriore IP23	Front grid IP23	Grille de protection antérieure IP23	Vorderes Gitter IP23	Rejilla anterior IP23
3(*)	4061011023	Scudo anteriore "E" IMB35 J609A	Front shield "E" IMB35 J609A	Flasque antérieure "E" IMB35 J609A	Vorderer Kasten "E" IMB35 J609A	Escudo anterior "E" IMB35 J609A
	4061011031	Scudo anteriore "E" IMB35 J609B	Front shield "E" IMB35 J609B	Flasque antérieure "E" IMB35 J609B	Vorderer Kasten "E" IMB35 J609B	Escudo anterior "E" IMB35 J609B
	4061011022	Scudo anteriore "E" IMB35 c.23-c.30	Front shield "E" IMB35 c.23-c.30	Flasque antérieure "E" IMB35 c.23-c.30	Vorderer Kasten "E" IMB35 c.23-c.30	Escudo anterior "E" IMB35 c.23-c.30
	4061011011	Scudo anteriore "E" IMB34 (B3/B14)	Front shield "E" IMB34 (B3/B14)	Flasque antérieure "E" IMB34 (B3/B14)	Vorderer Kasten "E" IMB34 (B3/B14)	Escudo anterior "E" IMB34 (B3/B14)
4(*)	266083001	Ventola (con foro ø30)	Fan (with hole ø30)	Tige centrale (dimensions-accouplem. ?)	Lüfterrad mit Loch Ø 30	Ventilador agujero ø30
5(*)	521226...	Rotore ER (Accoppiamento ?) (1)	Rotor ER (Coupling ?) (1)	Rotor ER (Accouplement ?) (1)	Rotor ER (Kupplung ?) (1)	Rotor ER (Acoplamiento ?) (1)
6(*)	17600...	Tirante albero (dimensioni-accoppiam.?)	Shaft stay bolt (dimensions-coupling ?)	Tige centrale (dimensions-accouplem. ?)	Spannstange (Kupplungsabmessung ?)	Tirante árbol (dimens. - acoplamiento ?)
7	1750016004	Cuscinetto 6004 C3	Bearing - 6004 C3	Roulement - 6004 C3	Lager 6004 C3	Cojinete 6004 C3
8	79080	Diode + Varistore + Condensatore EMC	Diode + Varistor + EMC Capacitor	Diode + Varistor + Condensateur EMC	Diode + Varistor + Kondens.EMC	Diodo+Varistor+Condensador EMC
9(*)	266014005	Coperchio ER rosso	ER red top cover	ER red top cover	Gitterhalterdeckel ER rouge	Tapa roja (ER)
	266024008	Coperchio ER nero	ER black top cover	Couvercle supérieur ER noir	Gitterhalterdeckel ERschwarz	Tapa negra (ER)
	7065...	Quadretto ER (vedi...)	ER panel (see...)	Tableau ER (voir...)	Schalbrett ER (siehe ...)	Cuadro ER (Véase...)
12(*)	266061004	Cuffia EK cieca	Blind EK end cover	Couvercle post. aspiration EK sans trous	EK Schutzkasten	Tapa EK ciega posterior
	7022...	Quadretto EK monofase (vedi...)	EK single-phase panel (see...)	Tableau monophase EK (voir...)	Schalbrett EK einphasiger (siehe ...)	Cuadro EK monofasico (Véase...)
13	266064007	Tappo EK	Tap (EK)	Bouchon (EK)	Stopfen EK	Tapón EK
14(*)	300100020	Condensatore 20 µF 450V	Capacitor 20 µF 450V	Condensateur 20 µF 450V	Kondensator 20 µF 450V	Condensator 20 µF 450V
	300100025	Condensatore 25 µF 450V	Capacitor 25 µF 450V	Condensateur 25 µF 450V	Kondensator 25 µF 450V	Condensator 25 µF 450V
	300100030	Condensatore 30 µF 450V	Capacitor 30 µF 450V	Condensateur 30 µF 450V	Kondensator 30 µF 450V	Condensator 30 µF 450V
	300100035	Condensatore 35 µF 450V	Capacitor 35 µF 450V	Condensateur 35 µF 450V	Kondensator 35 µF 450V	Condensator 35 µF 450V
15	179005400	Molla portacondensatore EK (ø 35-40)	EK (ø 35-40) capacitor block spring	Ressort fixation condens. EK(ø 35-40)	EK (ø 35-40) - Kondensatorhalterfeder	Resorte portacondensador EK (ø 35-40)
	179005401	Molla portacondensatore EK (ø 45-50)	EK (ø 45-50) capacitor block spring	Ressort fixation condens. EK(ø 45-50)	EK (ø 45-50) - Kondensatorhalterfeder	Resorte portacondensador EK (ø 45-50)
16(*)	161203...	Carcassa + Stat. ER	Housing + Stat. ER	Carcasse + Stat. ER	Gehäuse + Stat. ER	Carcasa + Estat. ER
17	176020230	Tirante M8x30	Stay bolt - M8x30	Tige M8x30	Spannstange M8x30	Tirante M8x30
19	3000005	KIT: da IMB35 J609B a IMB34 (B3/B14)	KIT: from IMB35 J609B to IMB34 (B3/B14)	KIT: from IMB35 J609B à IMB34 (B3/B14)	KIT: von IMB35 J609B bis IMB34 (B3/B14)	KIT: da IMB35 J609B a IMB34 (B3/B14)

(*) Includere nella richiesta di pezzi di ricambio la descrizione dell'oggetto, il codice, il numero di matricola e le caratteristiche della macchina (rilevabili dalla targhetta).

(*) When ordering spare parts, please indicate the alternator code-number and machine serial number and characteristics (they are available on the label)

(*) Nous vous prions d'indiquer, dans vos commandes de pièces de rechange, la description de la pièce, le numéro de code et de série et les caractéristiques de la machine

(*) In den Ersatzteilanfrage sind die Gegenstandsbeschreibung, die Materialnummer, die Kennummer und die Eigenschaften der Maschine (vom Schild zu entnehmen) anzugeben.

(*) Solicitar las piezas de recambio siempre indicando la descripción del objeto, el código, el número de matrícula y las características de la máquina (descritas en la placa de identificación).

INCONVENIENTI	CAUSE	RIMEDIO
Il generatore non si eccita.	1) Macchina smagnetizzata. 2) Velocità ridotta. 3) Diodi rotanti difettosi. 4) Condensatore difettoso 5) Guasto negli avvolgimenti.	1) Applicare ai morsetti d'uscita per 1 sec. una tensione continua compresa tra 6 ÷12 V. 2) Controllare i giri e portarli al valore nominale. 3) Controllare e sostituire. 4) Controllare e sostituire. 5) Controllare le resistenze degli avvolgimenti come da tabella.
Tensione a vuoto bassa.	1) Velocità ridotta. 2) Diodi rotanti difettosi. 3) Condensatore di valore errato 4) Avvolgimenti avariati.	1) Controllare i giri e regolare. 2) Controllare e sostituire. 3) Controllare e sostituire. 4) Controllare le resistenze degli avvolgimenti come da tabella.
Tensione a vuoto troppo alta.	1) Velocità motore troppo alta. 2) Condensatore di valore errato	1) Controllare i giri e regolare. 2) Controllare e sostituire.
Tensione corretta a vuoto, troppo bassa a carico.	1) Possibile sovraccarico. 2) Il motore rallenta. 3) Diodi rotanti difettosi.	1) Controllare la corrente di carico. 2) Controllare dimensionamento motore. 3) Controllare e sostituire.
Tensione instabile.	1) Contatti incerti. 2) Irregolarità di rotazione.	1) Controllare le connessioni. 2) Verificare l'uniformità di rotazione.
Surriscaldamento della macchina.	1) Aperture di ventilazione parzialmente ostruite. 2) Possibile sovraccarico.	1) Smontare e pulire le cuffie di aspirazione ed espulsione aria. 2) Controllare la corrente di carico.
Macchina rumorosa.	1) Cuscinetti avariati. 2) Accoppiamento difettoso.	1) Controllare e sostituire. 2) Verificare e riparare.

DEFECT	CAUSE	REMEDY
The alternator does not excite.	1) Demagnetized machine. 2) Reduced speed. 3) Faulty rotating diodes. 4) Faulty rotating diodes. 5) Failure in the windings.	1) Apply to the terminal a DC voltage between 6÷12V for 1 second. 2) Check the speed and bring it to the rated value. 3) Check and replace. 4) Check and replace. 5) Check the windings resistances as per the table.
Low no-load voltage	1) Reduced speed. 2) Faulty rotating diodes. 3) Wrong capacitor value. 4) Faulty windings.	1) Check the speed and regulate. 2) Check and replace. 3) Check and replace. 4) Check the resistance as per the table.
Too high no-load voltage	1) Excessive motor speed. 2) Wrong capacitor value.	1) Regulate the motor speed. 2) Check and replace.
Correct no-load voltage and too low full-load voltage.	1) Probable overload. 2) The engine speed slows down. 3) Faulty rectifier bridge.	1) Check the load current. 2) Check motor dimensions. 3) Check and replace.
Unstable voltage.	1) Loose connections. 2) Irregular rotation.	1) Check the connections. 2) Verify the rotation uniformity.
Machine overheating.	1) Partially obstructed ventilation openings. 2) Probable overload.	1) Remove and clean the air inlet and outlet grids. 2) Check the load current.
Noisy machine.	1) Faulty bearings. 2) Faulty coupling.	1) Check and replace. 2) Verify and repair.

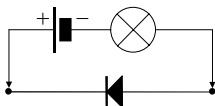
PANNES	CAUSES	SOLUTIONS
Le générateur ne s'excite pas.	1) Machine démagnétisée. 2) Vitesse réduite. 3) Diodes roullantes défectueuses. 4) Condensateur défectueux. 5) Pannes au niveau des bobines.	1) Appliquer aux bornes en sortie durant 1 seconde une tension continue comprise entre $6 \div 12V$. 2) Contrôler les tours et les porter à la valeur nominale. 3) Contrôler et substituer si nécessaire. 4) Contrôler et substituer si nécessaire. 5) Contrôler les résistances des bobines en suivant les indications données par le tableau.
Tension à vide insuffisante.	1) Vitesse réduite. 2) Diodes roullantes défectueuses. 3) Valeur du condensateur erronée. 4) Bobines défectueuses.	1) Contrôler les tours et les régler si nécessaire. 2) Contrôler et substituer si nécessaire. 3) Contrôler et substituer si nécessaire. 4) Contrôler les résistances des bobines en suivant les indications données par le tableau.
Tension à vide trop élevée.	1) Vitesse moteur trop élevée. 2) Valeur du condensateur erronée.	1) Contrôler les tours et les régler si nécessaire. 2) Contrôler et substituer si nécessaire.
Tension à vide correcte.	1) Possible surcharge.	1) Contrôler le courant de charge.
Tension en charge insuffisante.	2) Le moteur ralenti. 3) Diodes roullantes défectueuses.	2) Contrôler dimensions moteur. 3) Contrôler et substituer si nécessaire.
Tension instable.	1) Contacts incertains. 2) Irrégularité dans la rotation.	1) Contrôler les connexions. 2) Vérifier l'uniformité de la rotation.
Surchauffe de la machine.	1) Ouvertures ventilation partiellement obstruées. 2) Possible surcharge.	1) Démontet et nettoyer les protecteurs aspiration et expulsion air. 2) Contrôler le courant de charge.
Niveau sonore machine élevé.	1) Coussinets endommagés. 2) Accouplement défectueux.	1) Contrôler et substituer si nécessaire. 2) Contrôler et réparer.

STÖRUNG	URSACHE	ABHILFE
Der Generator erregt sich nicht.	1) Entmagnetisierung der Maschine. 2) Antriebsdrehzahl zu niedrig. 3) Fehlerhafte drehende Diode. 4) Fehlerhafter Kondensator 5) Wicklungsstörung.	1) En den klemmen für eine Sekunde eine Gleichspannung zwischen 6 und 12 V anbringen 2) Drehzahl des Antriebsmotors auf Nennwert bringen. 3) Kontrollieren und ersetzen. 4) Wicklungswiderstände entsprechend der Tabelle überprüfen. 5) Kontrollieren und ersetzen.
Niedrige Leerlaufspannung.	1) Antriebsdrehzahl zu niedrig. 2) Fehlerhafte drehende Diode. 3) Wicklungen beschädigt. 4) Kondensator mit falschen Wert	1) Drehzahl kontrollieren und regeln. 2) Kontrollieren und ersetzen. 3) Wicklungswiderstände entsprechend der Tabelle überprüfen. 4) Kontrollieren und ersetzen
Zu hohe Leerlaufspannung.	1) Antriebsdrehzahl zu hoch. 4) Kondensator mit falschen Wert	1) Drehzahl kontrollieren und regeln. 4) Kontrollieren und ersetzen
Richtige Leerlaufspannung, Lastspannung zu gering.	1) Zu hohe Belastung. 2) Zu geringe Antriebsleistung. 3) Fehlerhafte drehende Dioden	1) Belastungsstrom überprüfen. 2) Abgabeleistung des Motors überprüfen. 3) Kontrollieren und ersetzen.
Spannungsschwankungen.	1) Fehlerhafte Kontakte. 2) Drehzahlschwankungen.	1) Elektrische Anschlüsse überprüfen. 2) Drehzahlregler des Antriebsmotors einstellen.
Zu starke Erwärmung der Maschine.	1) Lüftungsgitter verstopft. 2) Zu hohe Belastung.	1) Zu- und Abluftgitter demontieren und reinigen. 2) Belastungsstrom überprüfen.
Geräusentwicklung.	1) Schadhafte Kugellager. 2) Fehlerhafte Verbindung von Motor u. Generator.	1) Überprüfen und ersetzen. 2) Überprüfen und reparieren.

FALLA	CAUSA	SOLUCIÓN
El alternador no se excita.	1) Máquina desmagnetizada. 2) Velocidad reducida. 3) Diodos rotatorios defectuosos. 4) Condensador defectuoso 5) Avería en los bobinados.	1) Aplicar a los terminales de salida durante 1 segundo una tensión continua de entre 6-12 V. 2) Comprobar las RPM del motor y llevarlas a su valor nominal . 3) Comprobar y sustituir. 4) Comprobar y sustituir 5) Comprobar las resistencias de los bobinados, como se indica en la tabla.
Tensión en vacío baja.	1) Velocidad reducida. 2) Diodos rotatorios defectuosos. 3) Condensador de valor incorrecto 4) Avería en los bobinados.	1) Comprobar las RPM y regular. 2) Comprobar y sustituir. 3) Comprobar y sustituir 4) Comprobar las resistencias de los bobinados, como se indica en la tabla.
Tensión en vacío demasiado alta.	1) Velocidad del motor demasiado alta. 2) Entrehierro del compound alto.	1) Comprobar las RPM y regular. 2) Regularlo.
Tensión correcta en vacío, demasiado baja en carga.	1) Posible sobrecarga. 2) El motor decelera. 3) Diodos rotatorios defectuosos.	1) Comprobar la corriente de carga. 2) Comprobar el dimensionamiento del motor. 3) Comprobar y sustituir.
Tensión inestable.	1) Contactos inciertos. 2) Irregularidad de rotación.	1) Controlar las conexiones. 2) Verificar la uniformidad de rotación.
Sobrecalentamiento de la máquina.	1) Orificios de ventilación parcialmente obstruidos. 2) Posible sobrecarga.	1) Desmontar y limpiar las envolturas de aspiración y expulsión aire. 2) Comprobar la corriente de carga.
Ruido en la máquina.	1) Cojinetes defectuosos. 2) Acoplamiento defectuoso.	1) Comprobar y sustituir. 2) Comprobar y arreglar.

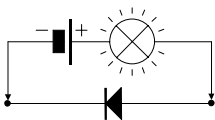
Verifica dei diodi.

Con un ohmmetro controllare ogni singolo diodo che dovrà indicare continuità in un solo senso. Oppure con una pila e una lampadina invertendo la polarità della pila la lampadina si deve accendere in un solo senso come da figura.



Checking the diodes.

Use an ohmmeter to check each individual diode. Diodes must show continuity in one direction only. This check can also be done using a battery and a light bulb. When inverting battery polarity, the light bulb must turn on and off, in one direction only, as shown in the figure below.



Contrôle des diodes.

A l'aide d'un ohmmètre, contrôler les diodes une à une. Chacune d'elle devra indiquer continuité en sens unique.

Ce test peut être réalisé avec une pile et une ampoule. En inversant les pôles de la pile, l'ampoule doit s'allumer dans le seul sens indiqué sur la figure.

Überprüfung des Gleichrichters (Dioden).

Die Dioden werden mit einem Widerstandsmessgerät (Ohmmeter) geprüft.

Die Dioden müssen in einer Richtung sperren und in der anderen durchlassen. Die Messung kann auch mit einer Glühlampe und einer Hilfsspannung (Batterie) durchgeführt werden. Die Lampe muss in einer Stromrichtung aufleuchten und in der anderen dunkel bleiben (siehe Figur).

Verificación de los diodos.

Con un ohmímetro comprobar cada diodo que deberá indicar continuidad en un sólo sentido. O bien, con una pila y una bombilla, invirtiendo la polaridad de la pila, la bombilla tiene que encenderse solo en un sentido, tal como se indica en la figura.

La società

The company

La société

SINCRO s.r.l.

Via Tezze,3 - Loc. Cereda - 36073 - Comedo Vicentino - (Vi) ITALY

dichiara sotto la propria responsabilità che
gli alternatorideclares under its own responsibility that
the alternators:déclare sous sa propre responsabilité que
les alternateurs**serie ER****serie ER****série ER**sono costruiti e collaudati in accordo alle
norme di seguito indicate:have been manufactured and tested in com-
pliance with the following standardssont construits et testés dans le respect des
normes indiquées ci-après:

CEI EN 60034-1 (CEI 2-3 - NF 51.100 - VDE 0530 - BS 4999-5000)
CEI EN 60204-1 (CEI 44-5)
EN 292-1, 292-2
IEC 34.1, 34.5

e risultano conformi:

and thereby conform to:

et sont conformes:

1) ai requisiti generali di sicurezza stabiliti
dalla Direttiva Bassa Tensione del 19 Feb-
braio 1973 (73/23 CEE), recepita in Italia
con la legge n°791 del 18 Ottobre 1977.

2) alla Direttiva 89/336 CEE (mod. dalla
93/68 CEE) riguardante il ravvicinamento
delle legislazioni degli stati membri in ma-
teria di compatibilità elettromagnetica.
La verifica di compatibilità è stata condotta
in base alle seguenti norme:

1) all General Safety Requirements as pro-
vided by the EEC Low Voltage Directive
dated 19 February 1973 (73/23 EEC).

2) all principal safety requirement specified
by the Committee for Adapting Member
States Legal Regulation on Electromagnetic
Compatibility (89/336 EEC, 93/68 EEC).
The following standards were used to evalu-
ate the electromagnetic compatibility:

1) Aux conditions générales de sécurité
établies par la Directive relative à la basse
tension du 19 Février 1973 (73/23 CEE),
adoptée par l'Italie par promulgation de la
loi n°791 du 18 Octobre 1977.

2) A la Directive 89/336 CEE (et modification
successive 93/68 CEE) concernant
l'harmonisation des législations des états
membres en matière de compatibilité
électromagnétique.
La vérification de compatibilité a été
effectuée conformément aux normes
suivantes:

EN 55011 (CEI 110-6)
EN 50081-1 (CEI 110-7)
EN 50082-1 (CEI 110-8)

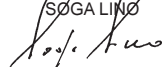
Gli alternatori oggetto della presente dichia-
razione sono da intendersi come compo-
nenti; pertanto vige il divieto di messa in
servizio prima che le macchine in cui sa-
ranno incorporati siano dichiarate conformi
alle direttive riguardanti la sicurezza (CEE
89/392, art.4, allegato 2, lettera B; CEE 91/
368, art.1) e la compatibilità elettromagne-
tica.

The alternators covered by this certificate
must be considered as components and
therefore prohibited from being placed in
operation before the machine in which they
will be used has been certificated for con-
formity to safety directives (EEC 89/
392,art.4, point 2, letter B; EEC 91/368,
art.1) and for electromagnetic compatibil-
ity.

Les alternateurs objets de la présente
déclaration doivent être considérés comme
étant des composants. En conséquence, la
mise en service de ces derniers est interdite,
avant la mise en conformité des machines
auxquelles ils seront incorporés. Les dites
machines devront être déclarées conformes
aux directives regardant la sécurité (CEE
89/392, art.4, annexe 2, lettre B; CEE 91/
368, art.1) et la compatibilité
électromagnétique.

Cereda di Comedo, li 02/01/97

SINCRO s.r.l.
L' amministratore unico
The chairman
L'Administrateur unique
SOGALINO



Die Firma

La sociedad

SINCRO s.r.l.

Via Tezze, 3 - Loc. Cereda - 36073 - Cornedo Vicentino - (Vi) ITALY

erklärt unter der eigenen Verantwortung, daß der Bau und die Abnahme der Generatoren

declara bajo la propia responsabilidad que los alternadores

Baureihe ER

serie ER

den nachstehenden Vorschriften entspricht:

han sido fabricados y probados siguiendo la normativa que se detalla a continuación:

CEI EN 60034-1 (CEI 2-3 - NF 51.100 - VDE 0530 - BS 4999-5000)
 CEI EN 60204-1(CEI 44-5)
 EN 292-1, 292-2
 IEC 34.1, 34. 5

darüberhinaus erfüllen sie:

y cumplen:

1) die allgemeinen Sicherheitsanforderungen der Richtlinie für Niederspannung vom 19 Februar 1973 (73/23 CEE), in Italien mit dem Gesetz Nr. 791 vom 18 Oktober 1977 aufgenommen.

1) las prescripciones que sobre seguridad quedan definidas en la Norma sobre la Baja Tensión del 19 de Febrero del 1973 (73/23 CEE) introducida en Italia con la ley n° 791 del 18 de Octubre del 1977.

2) die Richtlinie 89/336CEE (Mod. der 93/68 CEE) bezüglich der Annäherung der Gesetzgebungen der Mitgliedsstaaten in Sachen elektromagnetischer Kompatibilität. Die Kompatibilitätsprüfung wurde mit Zugrundelegung folgender Normen ausgeführt:

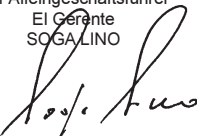
2) la Norma 89/336 CEE (y sucesiva modificación 93/68 CEE) sobre la compatibilidad electromagnética. La prueba de compatibilidad se ha realizado en base a las siguientes normas:

EN 55011	(CEI 110-6)
EN 50081-1	(CEI 110-7)
EN 50082-1	(CEI 110-8)

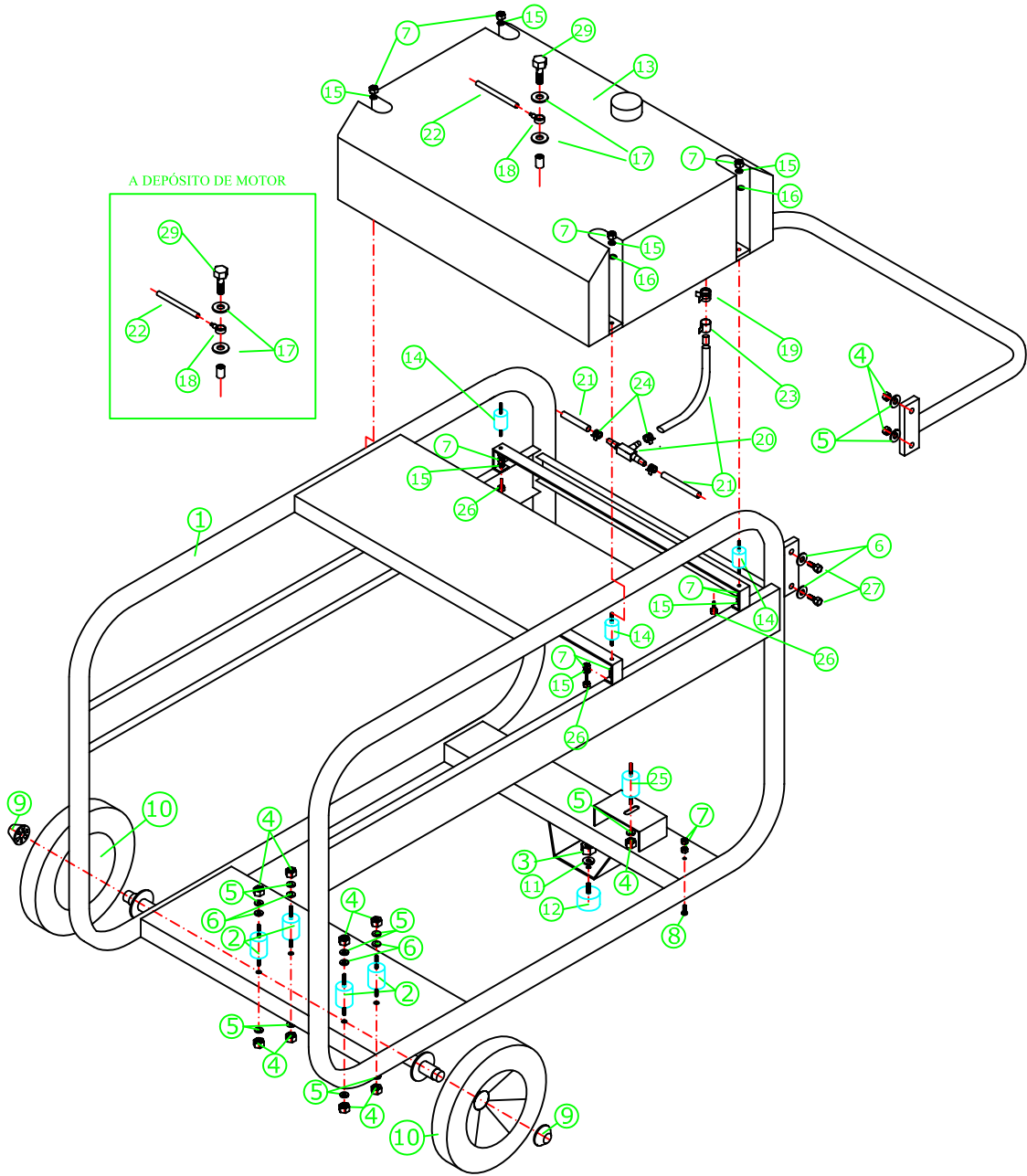
Die Generatoren, Gegenstand dieser Erklärung, sind als Komponenten zu verstehen; daher ist ihre Inbetriebnahme verboten, bevor nicht die Maschinen, in die sie integriert werden, mit den Richtlinien bezüglich Sicherheit (CEE 89/392, Art. 4, Anlage 2, Buchstabe B; CEE 91/368, Art. 1) und elektrischer Kompatibilität für konform erklärt werden.

Los alternadores objeto de la presente declaración han de entenderse como componentes; por lo tanto se prohíbe su puesta en servicio antes de que las máquinas a las cuales se acoplarán no se declaren conformes a las normas sobre seguridad (CEE 89/392, art. 4, anexo 2, letra B; CEE 91/368, art. 1) y sobre compatibilidad electromagnética.

Cereda di Cornedo, li 02/01/97

SINCRO s.r.l.
 Der Alleingeschäftsführer
 El Gerente
 SOGALINO


La SINCRO si riserva di apportare modifiche senza preavviso.
 The manufacturer reserves the right to modify features without notice.
 Les valeurs peuvent subir des variations sans préavis.
 Die Werte können ohne Vorankündigung Änderungen unterzogen werden.
 La Sincro se reserva el derecho de aportar las modificaciones sin preaviso.



E 4200CD

Nº DE PIEZA	REFERENCIA	DESIGNACION
1	E 4200CD	CHASIS
2	210042	AMORTIGUADOR
3	140010000	TUERCA M10
4	140008000	TUERCAS M8
5	130310008	ARANDELA GROVER M8
6	130000008	ARANDELA PLANA M8
7	140006000	TUERCA M6
8	171006020	TORNILLO M6X20
9	06516913200	CLIP RUEDAS
10	17001	RUEDAS
11	130310010	ARANDELA GROVER M10
12	230060	AMORTIGUADOR
13	20L	DEPOSITO DE COMBUSTIBLE
14	TH2530	AMORTIGUADOR
15	130300006	ARANDELA GROVER M6
16	130400006	ARANDELA CARROCERO M6
17	812	ARANDELA COBRE
18	ET85	ESFERICO
19	1222	ABRAZADERA
20	T6005	EMPALME EN T
21	301510	TUBO GASOLINA
22	30049	TUBO RESPIRO
23	16289	LLAVE COMBUSTIBLE
24	9910	ABRAZADERA
25	123077	AMORTIGUADOR
26	171006020	TORNILLO M6X20
27	171008020	TORNILLO M8X20
29	8100	TORNILLO M8 HUECO



PROYECTADO	FML	MODELO	E 4200CD	Nº DE PLANO :	ESCALA	Nº REV.	FECHA	FIRMA
COMPROBADO	FML	DESCRIPCION		Nº DE HOJA DE				