

**DESPIECE
PEÇAS
SPARE PARTS**

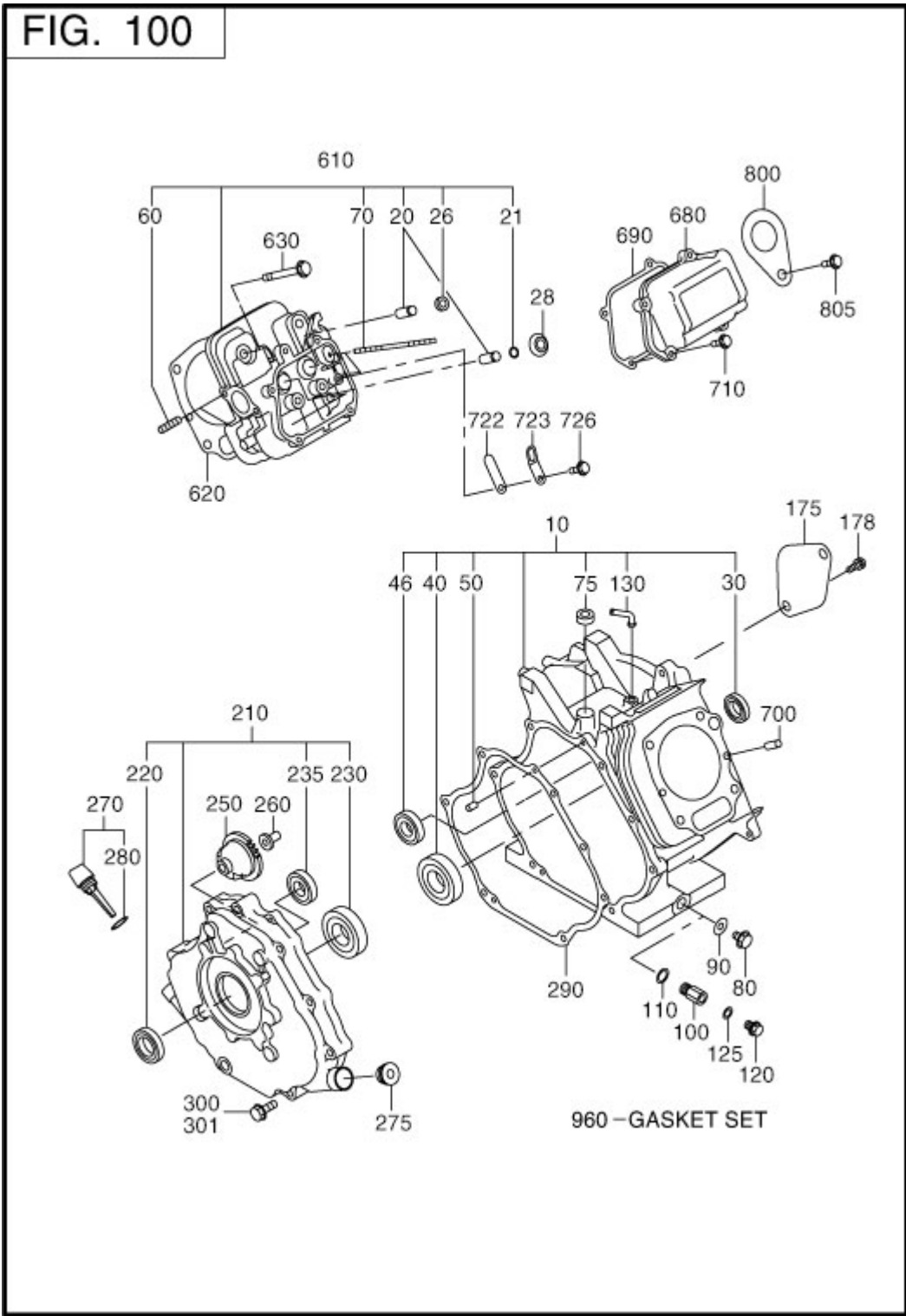


BENZA
www.benza.es



| | |
|---|-----------------|
| <i>Modelo</i> <i>Modêlo</i> <i>Model</i> | E 6000CD |
| <i>Motor</i> <i>Motor</i> <i>Engine</i> | |
| <i>Alternador</i> <i>Alternador</i> <i>Alternator</i> | |
| <i>Chasis</i> <i>Chassis</i> <i>Chassis</i> | |

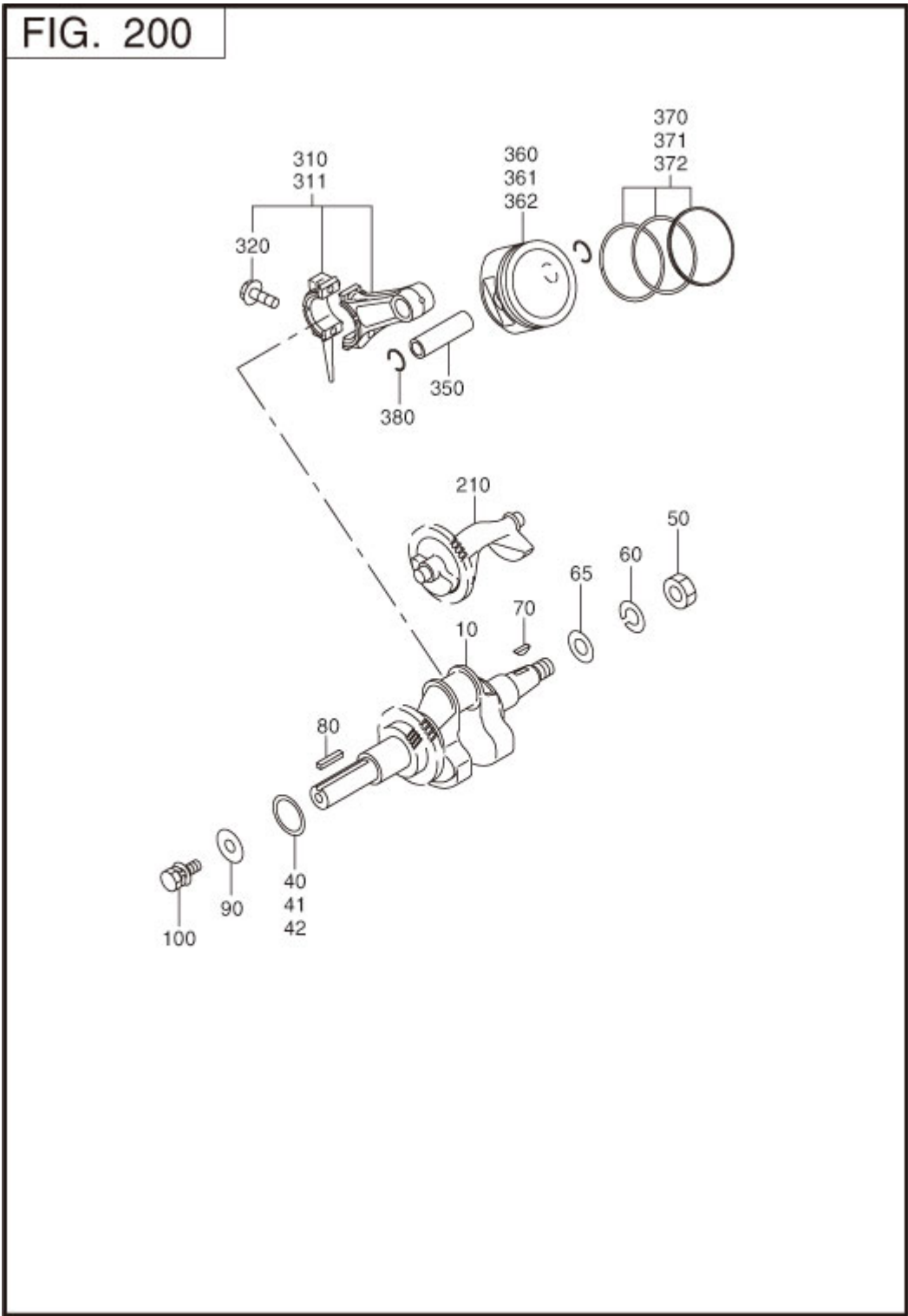
1 CRANK CASE



| REF. | PART NUMBER | PART NAME | CODE NO. | QTY | REMARKS | INTERCHANGE |
|------|--------------|----------------------|----------|-----|---------------------|--------------|
| 10 | 267-10101-81 | CRANKCASE CP | 7153- | 1 | | |
| | 267-10101-71 | CRANKCASE CP | -7152 | 1 | | |
| 20 | 263-14211-03 | VALVE GUIDE | - | 2 | 6DX11DX32.5L | |
| 21 | 056-51000-50 | CLIP | - | 1 | 10.7DX0.9D | |
| 26 | 132-07AA0-50 | SEAL-INT VALVE | - | 1 | | |
| 28 | 263-35341-03 | RETAINER PLATE | - | 1 | 11DX17.3DX27DX4.7H | |
| 30 | 044-03500-90 | OIL SEAL | - | 1 | 35DX48DX8B | |
| 40 | 060-03500-10 | BALL BEARING | - | 1 | 35DX72DX17B | |
| 46 | 060-01500-11 | BALL BEARING | 7153- | 1 | 15DX35DX11B | |
| | 060-01500-10 | BALL BEARING | -7152 | 1 | 15DX35DX11B | 060-01500-11 |
| 50 | 031-00600-20 | DOWEL PIN | - | 2 | 6DX14.5L | |
| 60 | 010-50802-90 | STUD | - | 2 | M8X1.25X30L | |
| 70 | 010-50602-91 | STUD | - | 2 | M6X1.0X115L | |
| 75 | 044-00800-10 | OIL SEAL | - | 1 | 8DX14DX4B | |
| 80 | 040-11400-30 | PLUG | - | 2 | M14X1.5X20DX12L | |
| 90 | 021-11400-20 | GASKET | - | 2 | 14.1DX19DX2.3T | |
| 210 | 267-11002-51 | MAIN BEARING COVER C | 7153- | 1 | | |
| | 267-11002-41 | MAIN BEARING COVER C | -7152 | 1 | | |
| 220 | 044-03500-90 | OIL SEAL | - | 1 | 35DX48DX8B | |
| 230 | 060-03500-10 | BALL BEARING | - | 1 | 35DX72DX17B | |
| 235 | 060-01500-11 | BALL BEARING | 7153- | 1 | 15DX35DX11B | |
| | 060-01500-10 | BALL BEARING | -7152 | 1 | 15DX35DX11B | 060-01500-11 |
| 250 | 267-45001-11 | GOVERNOR GEAR CP | 7153- | 1 | | |
| | 267-45001-01 | GOVERNOR GEAR CP | -7152 | 1 | 60DX36T N=28 | |
| 260 | 205-41901-03 | GOVERNOR SLEEVE | - | 1 | 6DX9DX16DX26L | |
| 270 | 224-63601-01 | OIL GAUGE CP | - | 2 | M22X1.5 L=64+25 | |
| 280 | 021-32000-50 | GASKET | - | 2 | 20DX27DX1.5T RUBBER | |
| 300 | 011-00803-40 | FLANGE BOLT | - | 7 | M8X1.25X17DX38L | |
| 610 | 267-13001-41 | CYLINDER HEAD CP | - | 1 | | |
| 620 | 267-15001-13 | GASKET(HEAD) | - | 1 | T=0.2 | |
| 630 | 011-01000-30 | FLANGE BOLT | - | 4 | M10X1.25X19DX65L | |
| 680 | 267-15501-11 | ROCKER COVER CP | - | 1 | | |
| 690 | 267-15201-13 | GASKET(ROCKER COV) | - | 1 | T=0.5 | |
| 700 | 031-00600-20 | DOWEL PIN | - | 2 | 6DX14.5L | |
| 710 | 011-00601-30 | FLANGE BOLT | - | 4 | M6X1.0X14DX25L | |

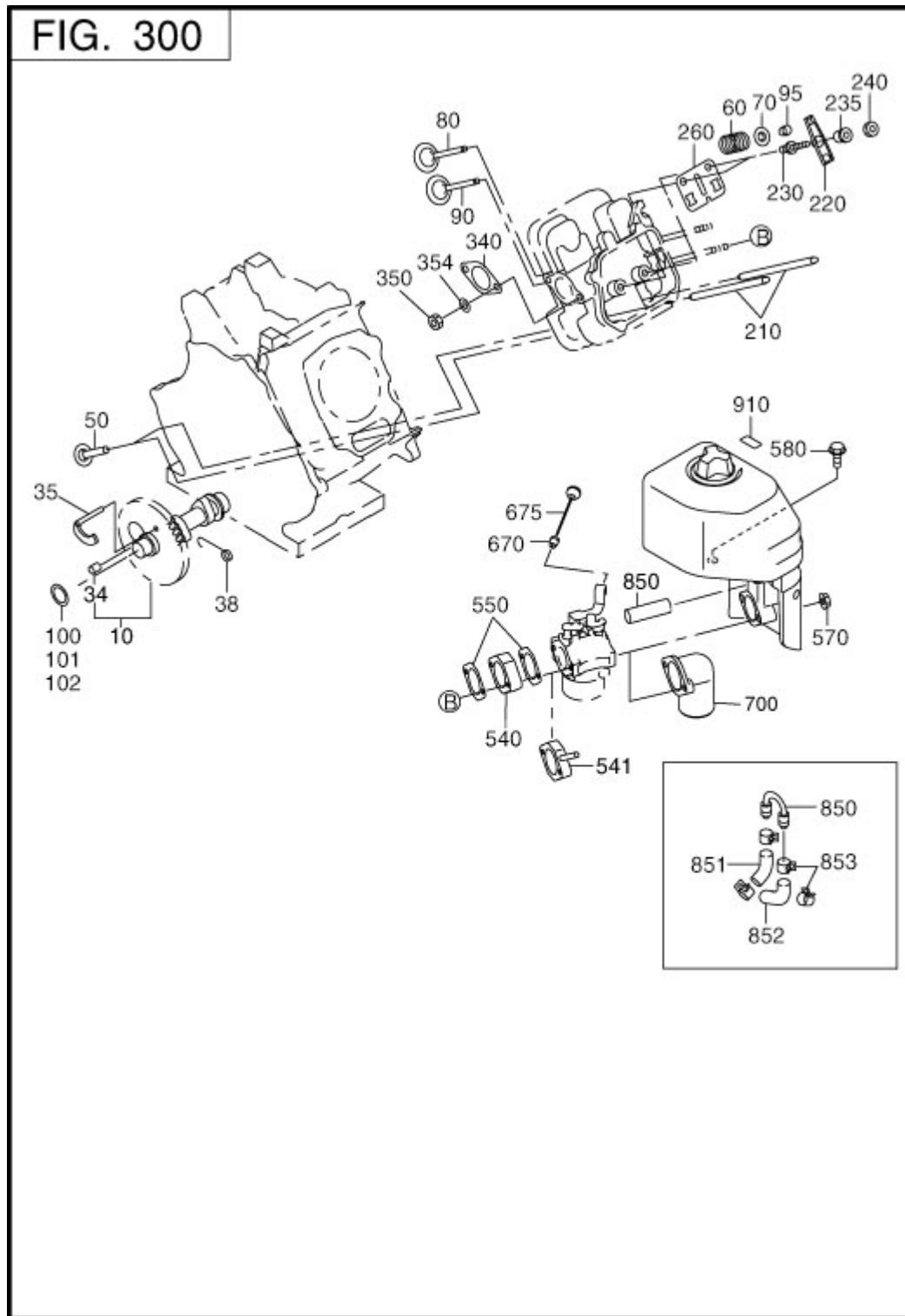
| REF. | PART NUMBER | PART NAME | CODE NO. | QTY | REMARKS | INTERCHANGE |
|------|--------------|----------------|----------|-----|---------------|-------------|
| 722 | 267-16001-13 | LEAF VALVE | - | 1 | | |
| 723 | 267-16101-13 | RETAINER PLATE | - | 1 | | |
| 726 | 011-00600-10 | FLANGE BOLT | - | 1 | M6X1.0X14DX8L | |
| 960 | 267-99001-27 | GASKET SET | - | 1 | | |

2 CRANKSHAFT,PISTON



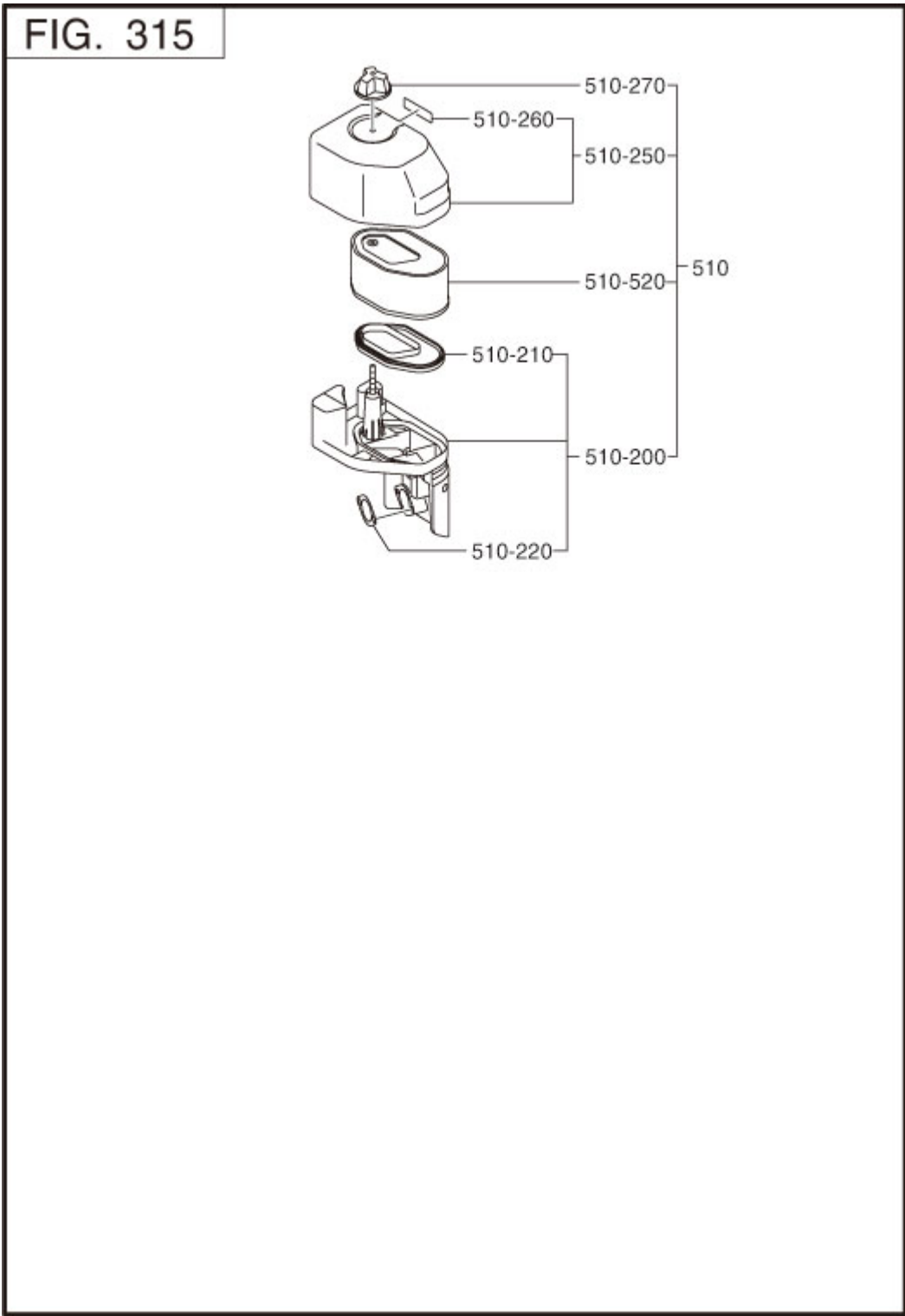
| REF. | PART NUMBER | PART NAME | CODE NO. | QTY | REMARKS | INTERCHANGE |
|------|--------------|-------------------|----------|-----|----------------------|-------------|
| 10 | 267-21201-11 | CRANKSHAFT CP | - | 1 | L=348 25.4DX1/5.33 T | |
| 40 | 023-03501-60 | SPACER | - | 1 | 35.3DX45DX0.6T | |
| 41 | 023-03501-70 | SPACER | - | 1 | 35.3DX45DX0.8T | |
| 42 | 023-03501-80 | SPACER | - | 1 | 35.3DX45DX1.0T | |
| 50 | 018-01800-10 | FLANGE NUT | - | 1 | M18X1.5X31DX14H | |
| 65 | 003-10180-00 | WASHER | - | 1 | 19DX32DX2.6T | |
| 70 | 005-32054-01 | WOODRUFF KEY | - | 1 | 5BX7.5HX19D | |
| 210 | 267-24101-13 | BALANCER SHAFT | - | 1 | L=146 81DX8B N=38 | |
| 310 | 267-22501-10 | CONNECTING ROD AY | - | 1 | 110CDX31B 38D-21D | |
| 311 | 267-22503-00 | CONNECTING ROD AY | - | 1 | 0.25 U.S. | |
| 320 | 001-05084-00 | FLANGE BOLT | - | 2 | M8X1.25X16DX40L | |
| 350 | 263-23301-23 | PISTON PIN | - | 1 | 21DX15DX64.2L | |
| 360 | 267-23401-03 | PISTON | - | 1 | STD(89DX55H) | |
| 361 | 267-23402-03 | PISTON | - | 1 | 0.25 O.S.(89DX55H) | |
| 362 | 267-23403-03 | PISTON | - | 1 | 0.50 O.S.(89DX55H) | |
| 370 | 267-23501-07 | PISTON RING SET | - | 1 | STD(89D) | |
| 371 | 267-23502-07 | PISTON RING SET | - | 1 | 0.25 O.S.(89D) | |
| 372 | 267-23503-07 | PISTON RING SET | - | 1 | 0.50 O.S.(89D) | |
| 380 | 056-52100-20 | CLIP | - | 2 | 22.1DX1.4D | |

3 INTAKE EXHAUST



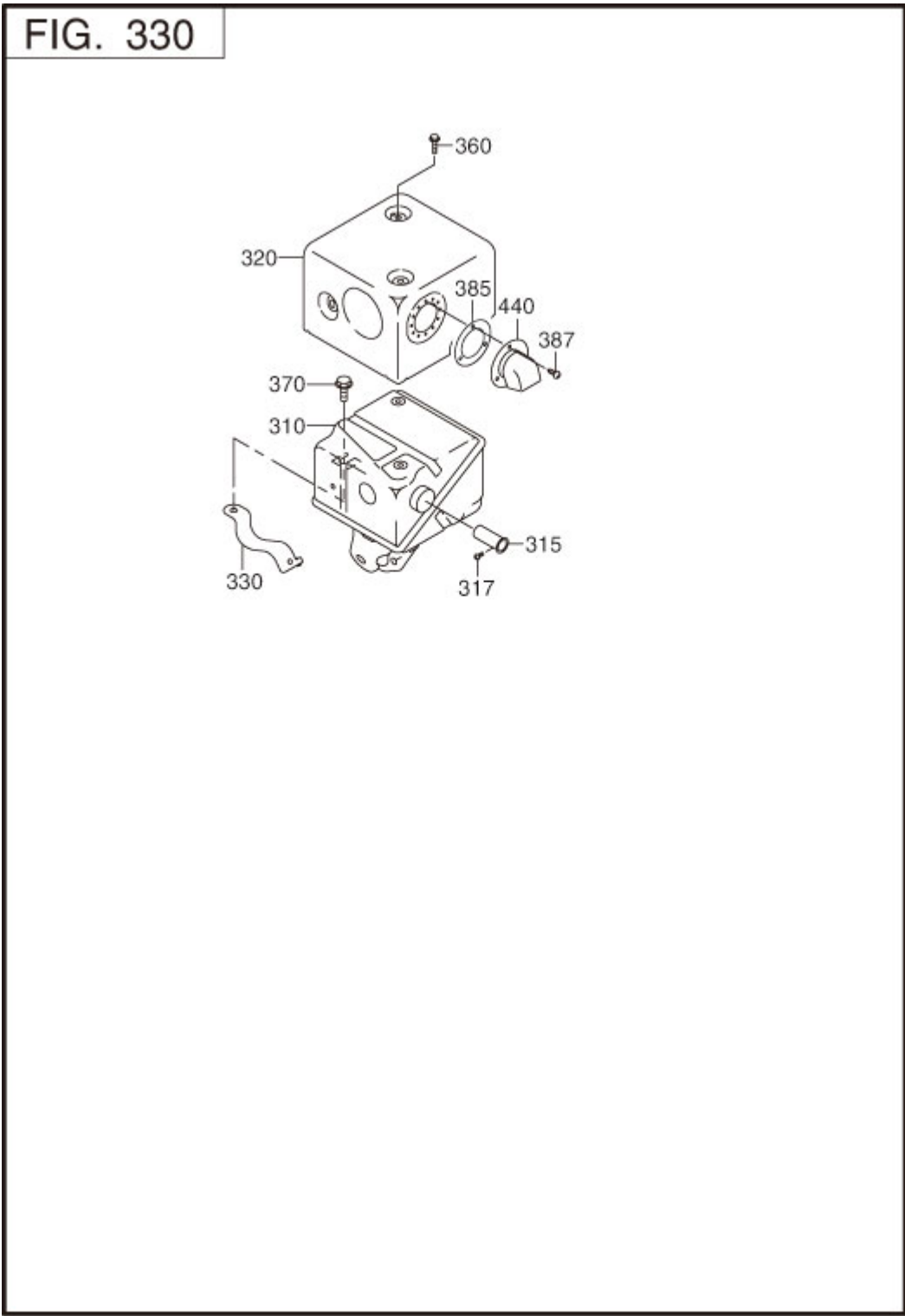
| REF. | PART NUMBER | PART NAME | CODE NO. | QTY | REMARKS | INTERCHANGE |
|------|--------------|-------------------|----------|-----|----------------------|--------------|
| 10 | 267-31701-01 | CAMSHAFT CP | - | 1 | L=142 109DX9.5B N=62 | |
| 34 | 005-19041-00 | SPRING PIN | - | 1 | 4.4DX10LX0.8T | |
| 35 | 246-36201-11 | RELEASE LEVER CP | - | 1 | | |
| 38 | 246-36701-03 | RETURN SPRING | - | 1 | 6.2DX0.3DX3L N=7.5 | |
| 50 | 239-33301-13 | TAPPET | - | 2 | 26DX8DX48L | |
| 60 | 246-33611-03 | VALVE SPRING | - | 2 | 22.2DX2.9DX37L N=6.5 | |
| 70 | 246-33711-13 | SPRING RETAINER | - | 2 | 7.6DX26DX8T | |
| 80 | 267-33402-H3 | INTAKE VALVE | 7031- | 1 | | |
| | 263-33401-03 | INTAKE VALVE | -7030 | 1 | 35DX6DX79.8L | |
| 90 | 267-33502-H3 | EXHAUST VALVE | 7031- | 1 | | |
| | 263-33502-13 | EXHAUST VALVE | -7030 | 1 | 31DX6DX80.3L | |
| 95 | 246-35501-03 | COLLET-VALVE | - | 4 | | |
| 100 | 023-02200-50 | SPACER | - | 1 | 22.2DX32.5DX0.6T | |
| 101 | 023-02200-60 | SPACER | - | 1 | 22.2DX32.5DX0.7T | |
| 102 | 023-02200-70 | SPACER | - | 1 | 22.2DX32.5DX0.8T | |
| 210 | 267-35301-C1 | PUSH ROD CP | - | 2 | 8DX158L | |
| 220 | 267-36102-03 | ROCKER ARM | 7153- | 2 | | |
| | 267-36101-13 | ROCKER ARM | -7152 | 2 | | 267-36102-03 |
| 230 | 261-35801-13 | BOLT(PIVOT) | - | 2 | | |
| 235 | 267-35701-03 | PIVOT | - | 2 | | |
| 240 | 017-00601-10 | NUT | - | 2 | M6X0.75X3.6H | |
| 260 | 267-36501-13 | GUIDE PLATE | - | 1 | | |
| 340 | 246-35201-03 | GASKET(MUFFLER) | - | 1 | T=0.2 30D 8.5DX52P | |
| 350 | 017-60800-20 | SELF LOCK NUT | - | 2 | M8X1.25X13H | |
| 540 | 267-32901-03 | INSULATOR | - | 1 | T=15 26.5D 6.5DX46P | |
| 550 | 267-35901-13 | GASKET(INSULATOR) | - | 2 | T=0.4 26.5D 6.5DX46P | |
| 570 | 002-38060-00 | FLANGE NUT | - | 2 | M6X1.0X13DX6H | |
| 580 | 011-00601-01 | FLANGE BOLT | - | 1 | M6X1.0X13DX28L | |
| 670 | 024-10200-10 | GROMMET | - | 1 | 2DX6DX12H | |
| 675 | 246-45006-01 | KNOB CP | - | 1 | | |
| 850 | 085-11001-51 | RUBBER PIPE | - | 1 | 10DX15DX75L | 085-11000-00 |

3 INTAKE EXHAUST



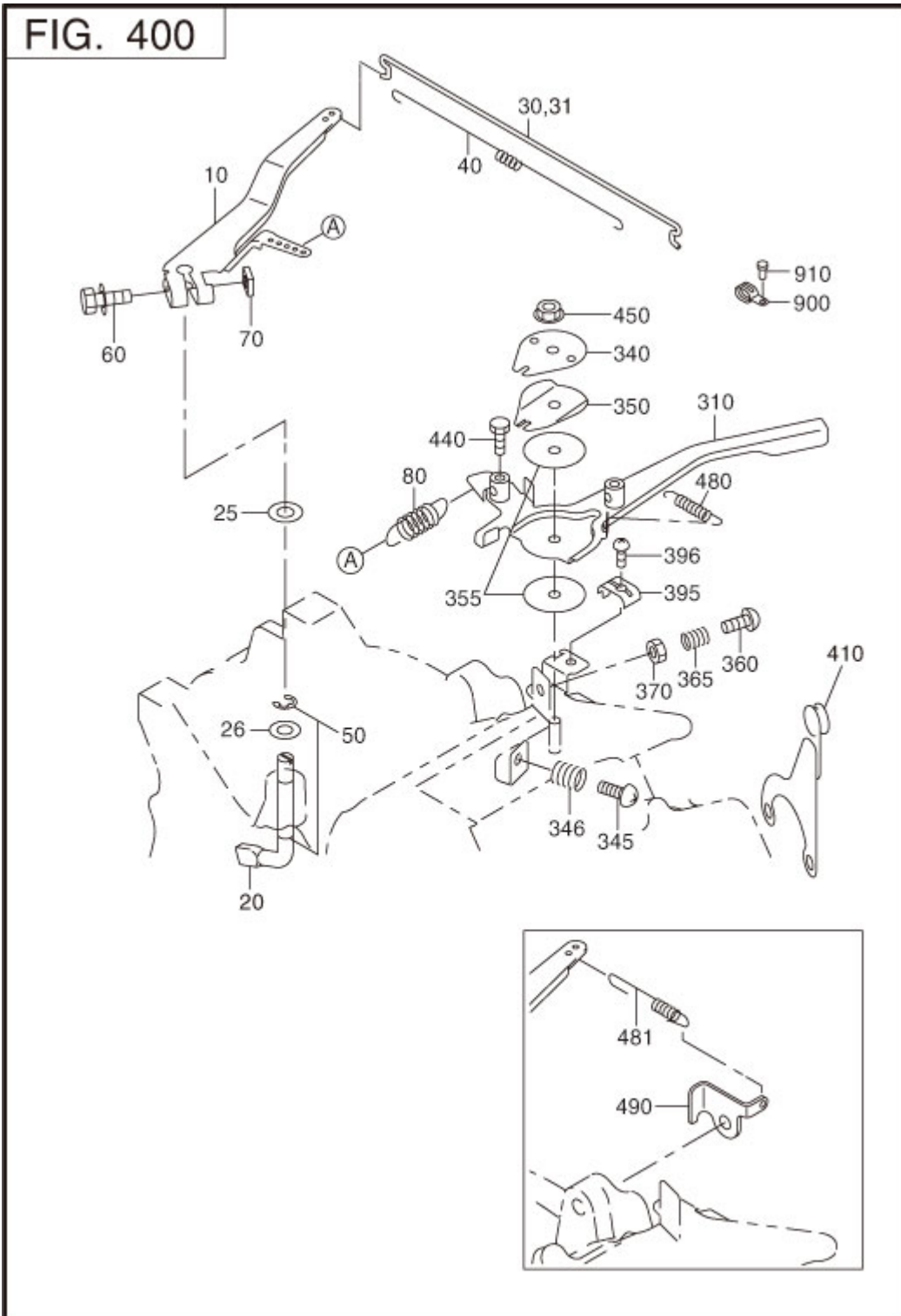
| REF. | PART NUMBER | PART NAME | CODE NO. | QTY | REMARKS | INTERCHANGE |
|------|--------------|--------------------|----------|-----|---------|-------------|
| 510 | 267-32601-20 | AIR CLEANER AY | - | 1 | | |
| -200 | 267-35001-11 | BASE CP. | - | 1 | | |
| -210 | 267-35004-03 | PACKING | - | 1 | | |
| -220 | 270-32720-08 | PACKING | - | 1 | | |
| -250 | 267-35002-11 | COVER CP. | - | 1 | | |
| -260 | 267-35005-03 | LABEL | - | 1 | | |
| -270 | 227-36523-03 | CAP NUT | - | 1 | | |
| -520 | 267-35003-11 | CLEANER ELEMENT CP | - | 1 | | |

3 INTAKE EXHAUST



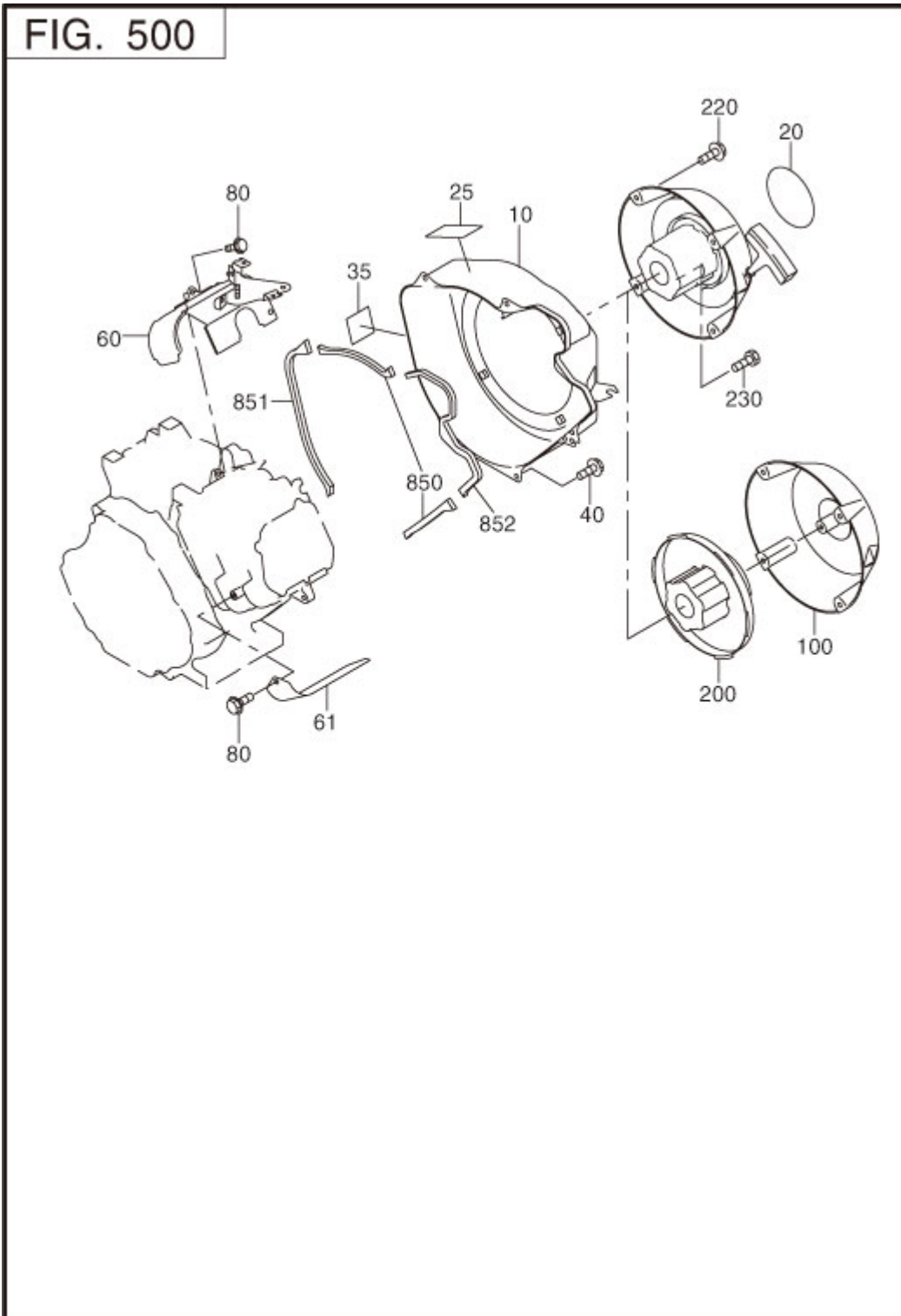
| REF. | PART NUMBER | PART NAME | CODE NO. | QTY | REMARKS | INTERCHANGE |
|------|--------------|--------------------|----------|-----|-----------------|-------------|
| 310 | 267-30101-22 | MUFFLER UN | - | 1 | | |
| 320 | 267-34201-01 | MUFFLER COVER CP | - | 1 | | |
| 330 | 267-37001-01 | MUFFLER BRACKET CP | - | 1 | | |
| 360 | 011-00600-10 | FLANGE BOLT | 7142- | 4 | M6X1.0X14DX8L | |
| | 011-00600-10 | FLANGE BOLT | -7141 | 5 | M6X1.0X14DX8L | |
| 370 | 001-04081-60 | FLANGE BOLT | - | 2 | M8X1.25X16DX16L | |
| 385 | 267-37101-12 | TAIL SCREEN UN | - | 1 | | |
| 387 | 015-00400-60 | TAPPING SCREW | - | 3 | M4X6L | |

4 GOVERNOR,OPERATION



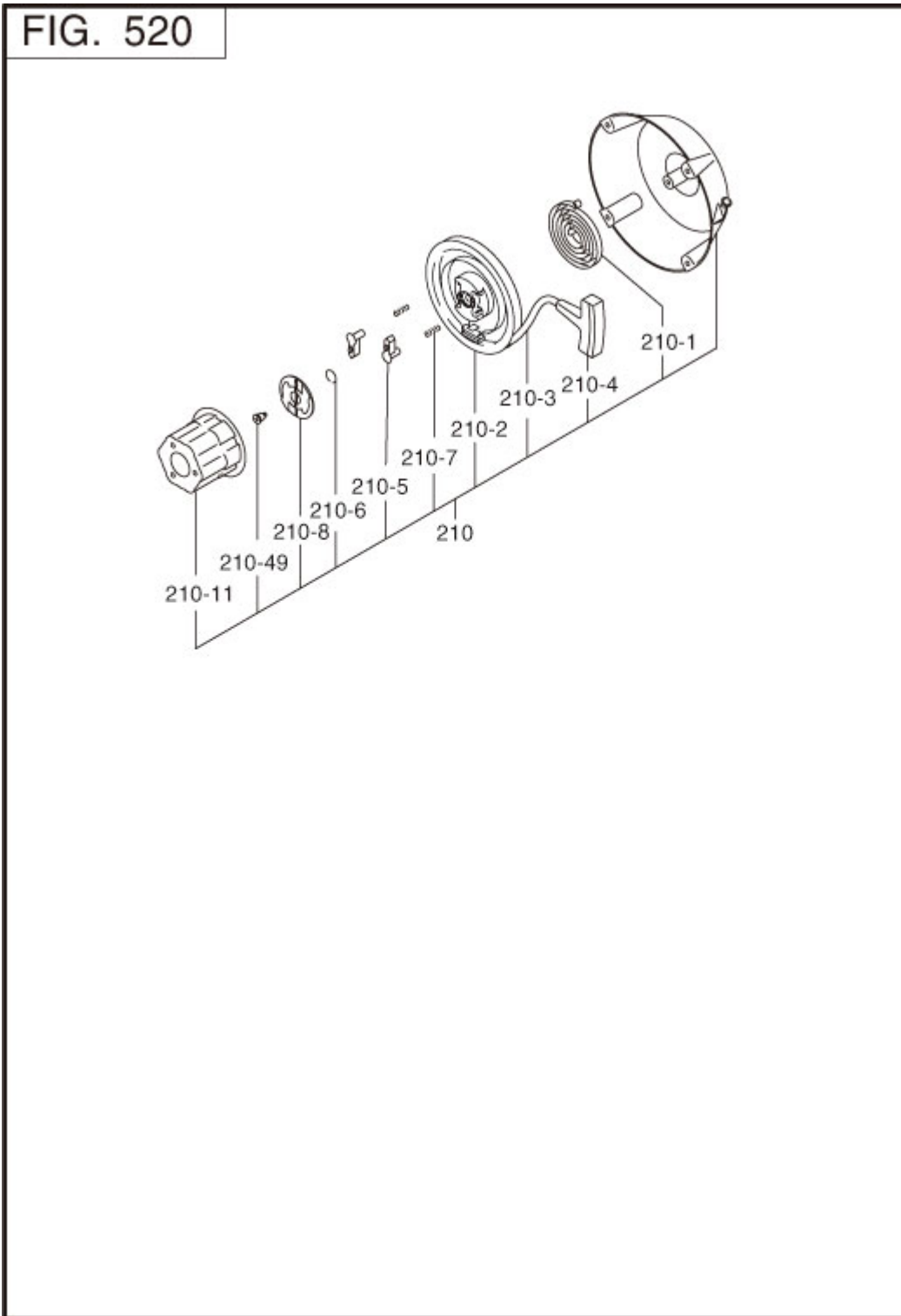
| REF. | PART NUMBER | PART NAME | CODE NO. | QTY | REMARKS | INTERCHANGE |
|------|--------------|---------------------|----------|-----|---------------------|-------------|
| 10 | 267-42301-13 | GOVERNOR LEVER | - | 1 | | |
| 20 | 267-42201-03 | GOVERNOR SHAFT | - | 1 | | |
| 26 | 003-11080-00 | WASHER | - | 1 | 8.5DX18DX1.6T | |
| 30 | 267-42701-01 | GOVERNOR ROD CP | - | 1 | | |
| 40 | 267-42801-33 | ROD SPRING | - | 1 | 6DX0.5DX181L N=28.5 | |
| 50 | 003-13060-00 | CLIP | - | 2 | 6DX12DX0.8T | |
| 60 | 001-14063-00 | BOLT AND WASHER AY | - | 1 | M6X1.0X30L W/W,SW | |
| 70 | 018-60600-20 | NUT | - | 1 | M6X1.0X4.9H SQUARE | |
| 80 | 267-42501-03 | GOVERNOR SPRING | - | 1 | 11.3DX1.2DX40L N=12 | |
| 310 | 267-43301-03 | SPEED CONTROL LEVER | - | 1 | | |
| 340 | 227-43501-13 | STOP PLATE | - | 1 | | |
| 350 | 227-45002-03 | SPRING WASHER | - | 1 | | |
| 355 | 021-70600-60 | FRICTION WASHER | - | 2 | 6.5DX33DX0.5T NYLON | |
| 360 | 004-31061-80 | SCREW,PANHEAD | - | 1 | M6X1.0X18L | |
| 370 | 002-27060-00 | NUT | - | 1 | M6X1.0X3.6H | |
| 450 | 017-60600-20 | SELF LOCK NUT | - | 1 | M6X1.0X13DX6.9H | |

5 COOLING,STARTING



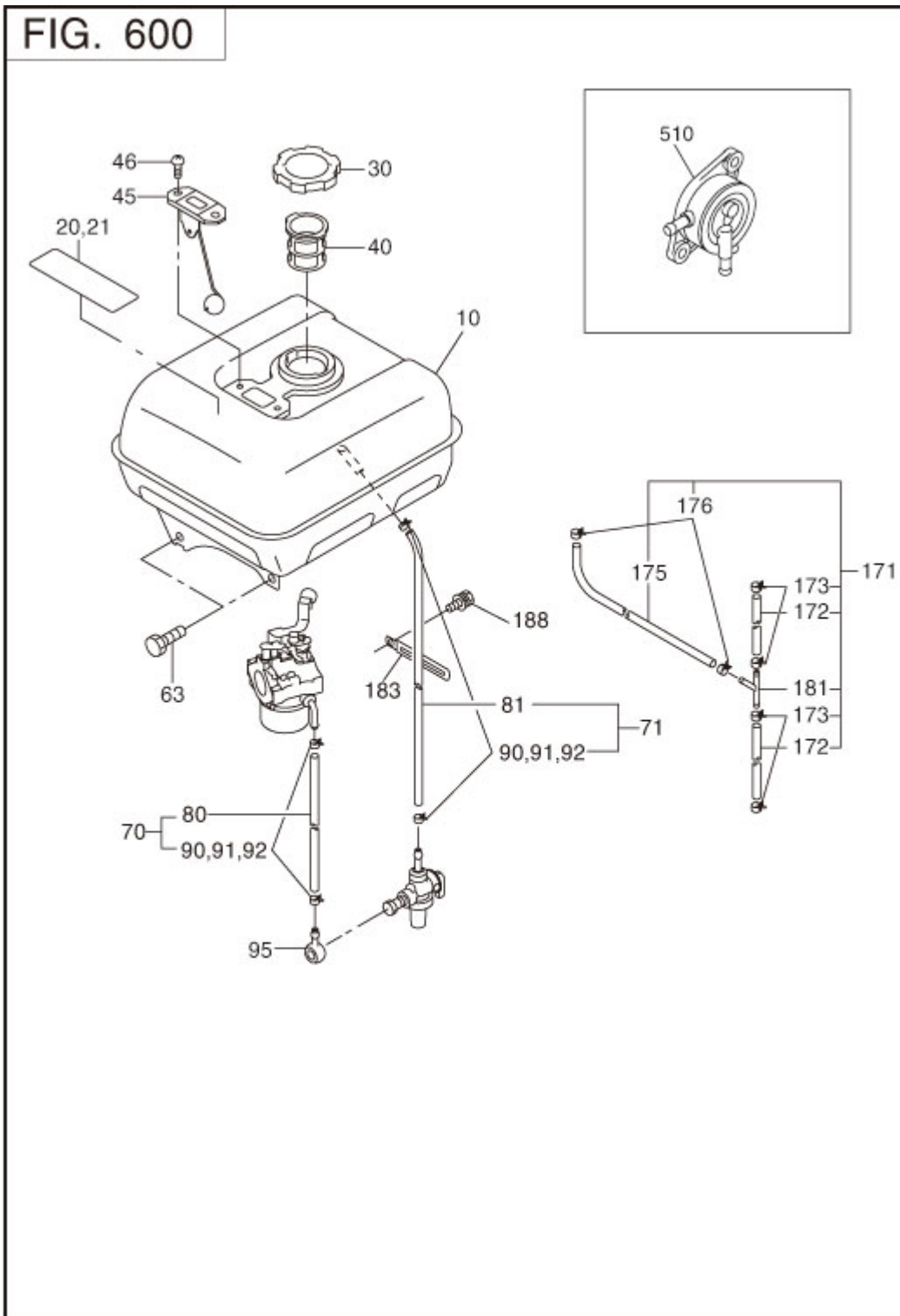
| REF. | PART NUMBER | PART NAME | CODE NO. | QTY | REMARKS | INTERCHANGE |
|------|--------------|----------------------|----------|-----|----------------|-------------|
| 10 | 267-51201-01 | BLOWER HOUSING CP | - | 1 | D ROBIN YELLOW | |
| 20 | 073-20054-80 | LABEL(TRADE MARK) | - | 1 | 88D | |
| 35 | 267-91860-03 | LABEL(ENGINE NAME) | - | 1 | 38X34 ENGLISH | |
| 40 | 011-00600-20 | FLANGE BOLT | - | 5 | M6X1.0X14DX12L | |
| 60 | 267-52601-12 | CYLINDER BAFFLE 1 UN | - | 1 | | |
| 61 | 267-52701-03 | CYLINDER BAFFLE 2 | - | 1 | | |
| 80 | 011-00600-10 | FLANGE BOLT | - | 4 | M6X1.0X14DX8L | |
| 220 | 011-00600-10 | FLANGE BOLT | - | 4 | M6X1.0X14DX8L | |
| 230 | 001-65081-20 | BOLT | - | 3 | M8X1.25X12L | |

5 COOLING,STARTING



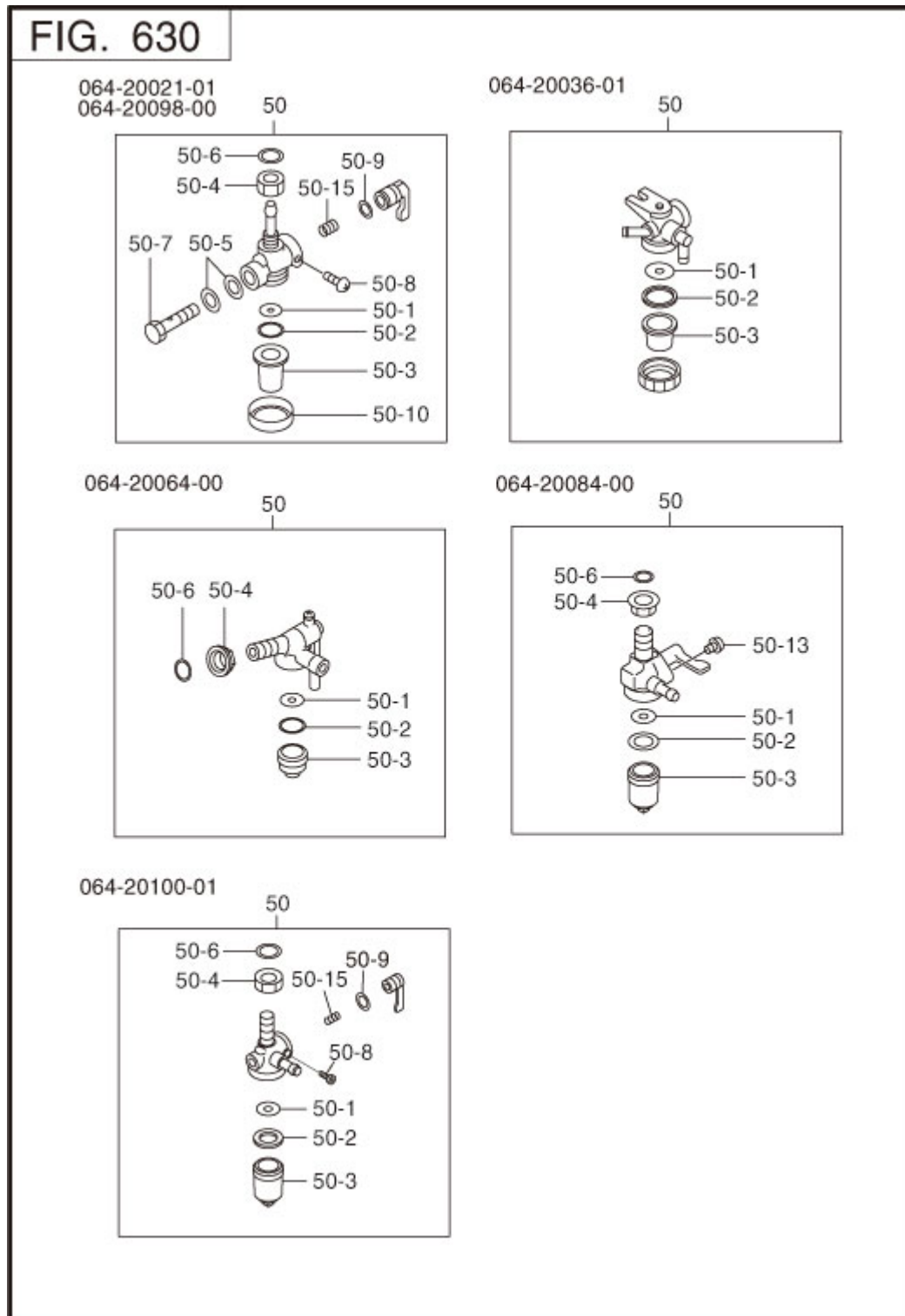
| REF. | PART NUMBER | PART NAME | CODE NO. | QTY | REMARKS | INTERCHANGE |
|------|--------------|-------------------|----------|-----|---------|-------------|
| 210 | 267-50201-10 | RECOIL STARTER AY | - | 1 | D 206PD | |
| - 1 | 261-50115-08 | SPIRAL SPRING | - | 1 | | |
| - 2 | 246-50120-08 | REEL | - | 1 | | |
| - 3 | 226-50113-08 | STARTER ROPE | - | 1 | | |
| - 4 | 261-50100-08 | STARTER KNOB | - | 1 | | |
| - 5 | 246-50125-08 | RATCHET | - | 2 | | |
| - 6 | 246-50130-08 | FRICTION SPRING | - | 1 | | |
| - 7 | 227-50135-08 | RETURN SPRING | - | 2 | | |
| - 8 | 246-50160-08 | RATCHET GUIDE | - | 1 | | |
| - 11 | 224-50150-08 | STARTER PULLEY | - | 1 | | |
| - 49 | 227-50152-08 | SET SCREW | - | 1 | | |

6 FUEL LUBRICANT



| REF. | PART NUMBER | PART NAME | CODE NO. | QTY | REMARKS | INTERCHANGE |
|------|--------------|--------------------|-----------|-----|------------------|--------------|
| 10 | 267-60101-01 | FUEL TANK CP | - | 1 | 7L ROBIN YELLOW | |
| 20 | 073-20044-50 | LABEL(CAUTION) | - | 1 | 38X70 ILLUSTR | |
| 21 | 073-20039-00 | LABEL(WARNING) | - | 1 | 38X80 ENGLISH | |
| 30 | 043-04300-15 | FUEL TANK CAP CP | - | 1 | 42.5DX68DX14H | |
| 40 | 064-13600-10 | FUEL FILTER | - | 1 | 36DX46DX43H | |
| 63 | 001-13082-00 | BOLT AND WASHER AY | - | 4 | M8X1.25X20L W/SW | |
| 70 | 267-62604-01 | FUEL PIPE CP | 6978-7213 | 1 | | |
| | 267-62604-01 | FUEL PIPE CP | -6977 | 1 | | |
| 71 | 267-62603-01 | FUEL PIPE CP | 6978- | 1 | | |
| | 267-62603-01 | FUEL PIPE CP | -6977 | 1 | | |
| 80 | X85-10614-91 | RUBBER PIPE | 7214- | 1 | | |
| | X85-10614-90 | RUBBER PIPE | 6978-7213 | 1 | 6DX11.6DX250L | 085-10600-00 |
| | X85-10614-90 | RUBBER PIPE | -6977 | 1 | 6DX11.6DX250L | 085-10600-00 |
| 81 | X85-10614-01 | RUBBER PIPE | 7214- | 1 | | |
| | X85-10614-00 | RUBBER PIPE | 6978-7213 | 1 | 6DX11.6DX100L | 085-10600-00 |
| | X85-10614-00 | RUBBER PIPE | -6977 | 1 | 6DX11.6DX100L | 085-10600-00 |
| 90 | 056-11200-40 | HOSE CLAMP | 7214- | 1 | 12DX8BX0.8T | |
| | 056-11100-50 | HOSE CLAMP | 6978-7213 | 2 | | |
| | 056-11100-50 | HOSE CLAMP | -6977 | 2 | | |
| 91 | X56-11100-60 | HOSE CLAMP | 7214- | 2 | | |
| | 056-11100-50 | HOSE CLAMP | 6978-7213 | 2 | | |
| | 056-11100-50 | HOSE CLAMP | 6972-6977 | 2 | | |
| | 056-11100-20 | HOSE CLAMP | -6971 | 2 | 11.5DX8BX0.7T | |
| 95 | 052-10700-42 | BANJO | 6978-6990 | 1 | 7.2DX7.2DX25L | |
| | 052-10700-42 | BANJO | -6977 | 1 | 7.2DX7.2DX25L | |

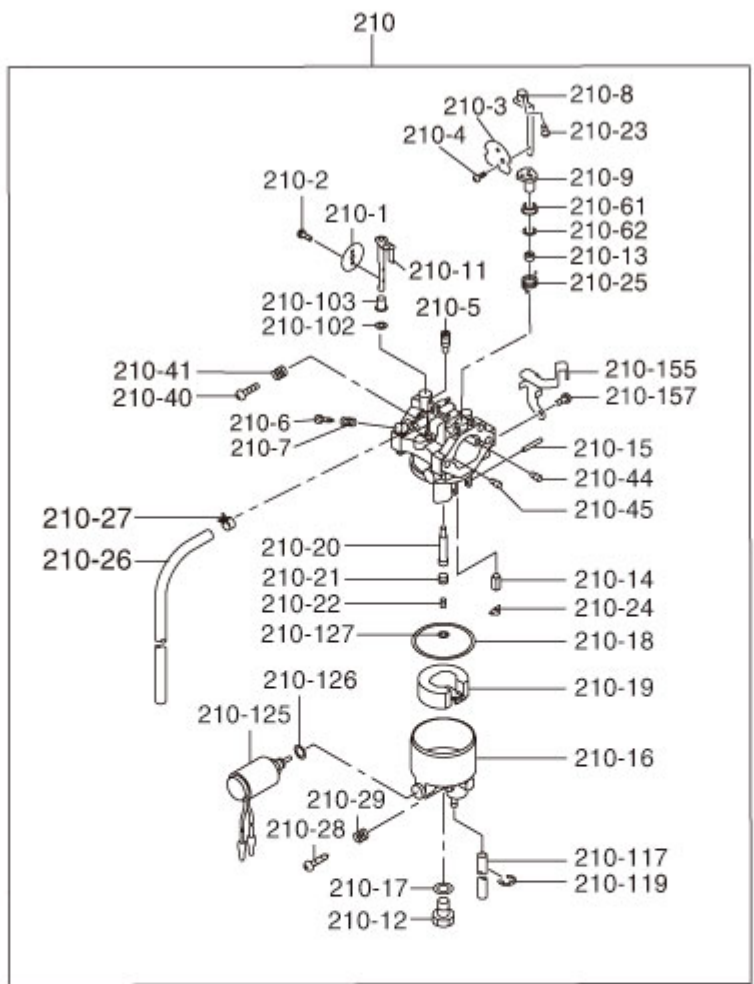
6 FUEL LUBRICANT



| REF. | PART NUMBER | PART NAME | CODE NO. | QTY | REMARKS | INTERCHANGE |
|------|--------------|------------------|----------|-----|---------|-------------|
| 50 | 064-20021-01 | FUEL STRAINER AY | 6978- | 1 | | |
| | 064-20021-01 | FUEL STRAINER AY | -6977 | 1 | | |
| - 1 | 064-20002-20 | FILTER | - | 1 | | |
| - 2 | 064-20002-30 | GASKET | - | 1 | | |
| - 3 | 064-20019-10 | CUP | - | 1 | | |
| - 4 | 064-20003-20 | NUT | - | 1 | | |
| - 5 | 064-20002-50 | FIBER GASKET | - | 2 | | |
| - 7 | 064-20002-40 | BANJO BOLT | - | 1 | | |
| - 8 | 064-20027-90 | BOLT | - | 1 | | |
| - 9 | 064-20003-30 | O-RING | - | 1 | | |
| - 10 | 064-20024-10 | LOCK NUT | - | 1 | | |
| - 15 | 064-20032-30 | SPRING | - | 1 | | |

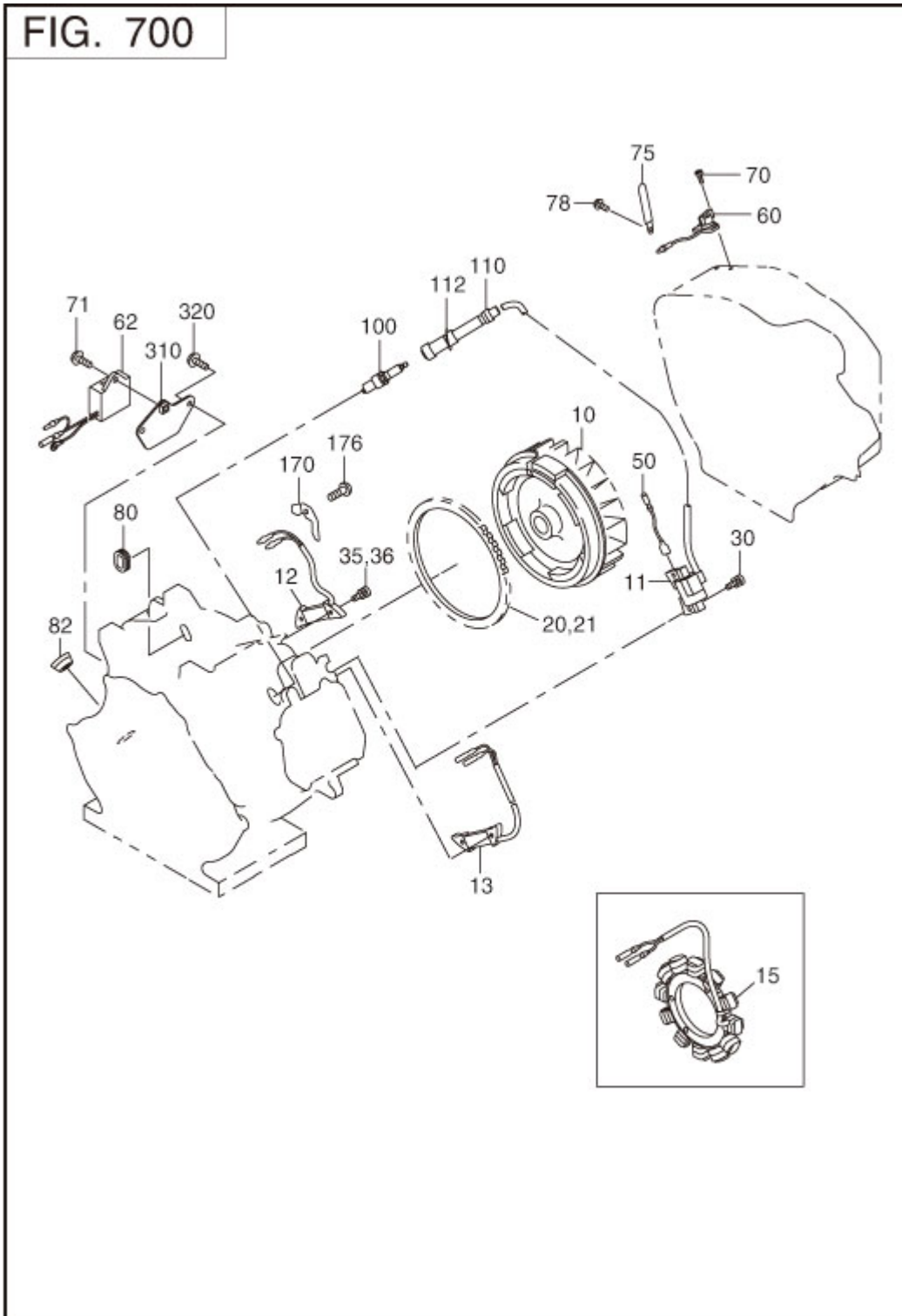
6 FUEL LUBRICANT

FIG. 640



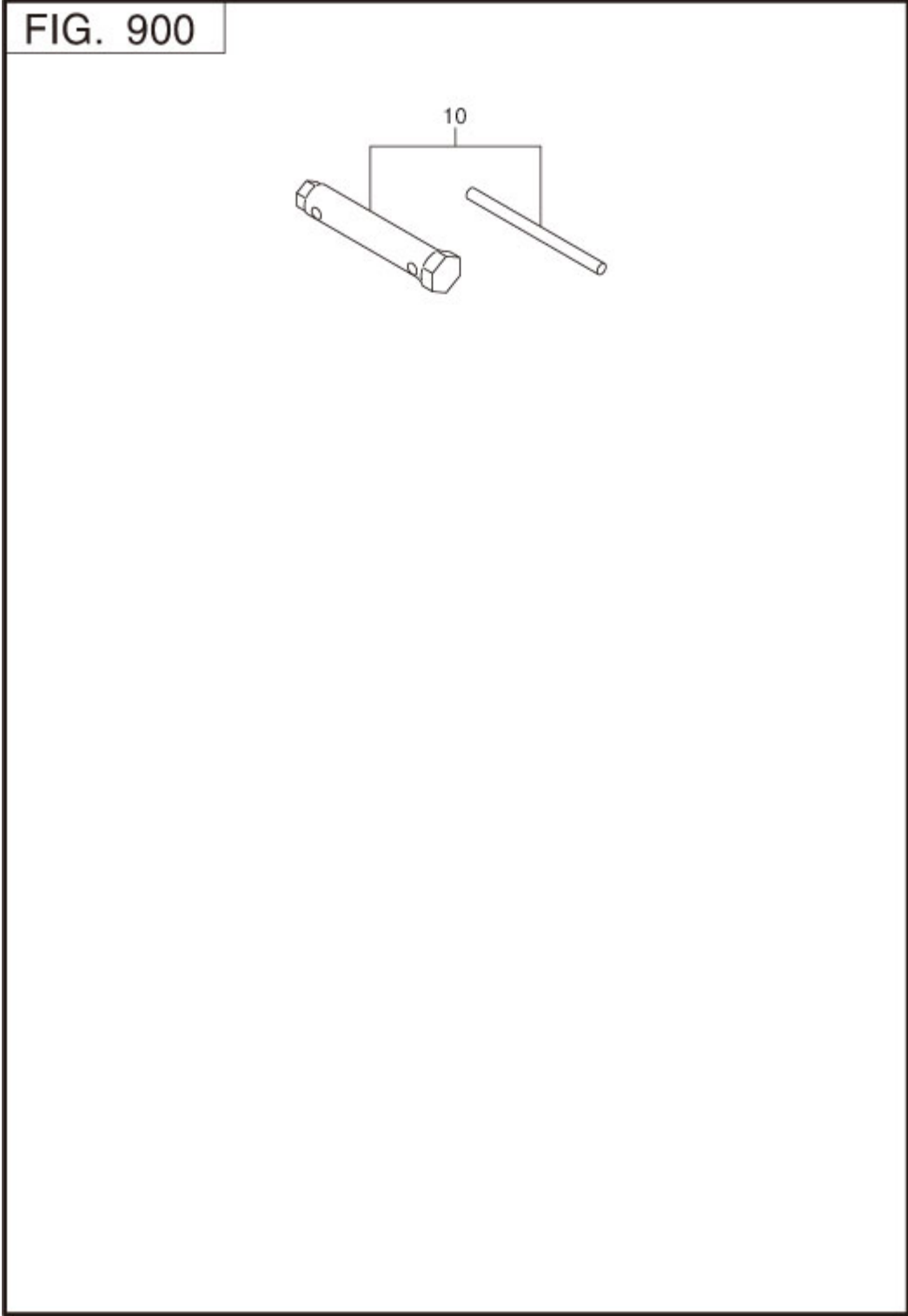
| REF. | PART NUMBER | PART NAME | CODE NO. | QTY | REMARKS | INTERCHANGE |
|------|--------------|------------------|----------|-----|---------|-------------|
| 210 | 267-62302-20 | CARBURETOR AY | - | 1 | | |
| - 1 | 267-62535-08 | THROTTLE VALVE | - | 1 | | |
| - 2 | 209-62351-08 | SCREW | - | 2 | | |
| - 3 | 267-62525-08 | CHOKE VALVE | - | 1 | | |
| - 4 | 237-62451-08 | SCREW | - | 2 | | |
| - 5 | 227-62422-08 | PILOT JET | - | 1 | #50 | |
| - 8 | 267-62520-08 | CHOKE LEVER-A | - | 1 | | |
| - 9 | 239-62560-08 | RING | - | 1 | | |
| - 11 | 267-62531-08 | THROTTLE SHAFT A | - | 1 | | |
| - 12 | 150-62358-08 | BOLT | - | 1 | | |
| - 13 | 226-62550-08 | RING | - | 1 | | |
| - 14 | 224-62312-18 | NEEDLE-A | - | 1 | | |
| - 15 | 214-62515-08 | PIN | - | 1 | | |
| - 16 | 234-62552-08 | FLOAT BODY-A | - | 1 | | |
| - 17 | 207-62345-08 | INSERT WASHER | - | 1 | | |
| - 18 | 206-62540-08 | PACKING | - | 1 | | |
| - 19 | 234-62506-08 | FLOT-A | - | 1 | | |
| - 20 | 267-62440-08 | MAIN NOZZLE | - | 1 | | |
| - 21 | 246-62425-08 | JET HOLDER | - | 1 | | |
| - 22 | 267-62402-08 | MAIN JET | - | 1 | | |
| - 23 | 242-62323-08 | SCREW | - | 1 | | |
| - 24 | 224-62569-18 | CLIP | - | 1 | | |
| - 28 | 224-62450-08 | SCREW | - | 1 | | |
| - 29 | 209-62445-08 | SPRING | - | 1 | | |
| - 40 | 224-62452-08 | SCREW | - | 1 | | |
| - 41 | 206-62446-08 | SPRING | - | 1 | | |
| - 44 | 106-62411-08 | AIR JET | - | 1 | | |
| - 45 | 246-62410-08 | AIR JET | - | 1 | | |
| - 61 | 247-62550-08 | CAP (CHOKE) | - | 1 | | |
| - 62 | 236-62680-08 | SEAL | - | 1 | | |
| -102 | 106-62392-08 | SEAL | - | 1 | | |
| -103 | 267-62450-08 | RING | - | 1 | | |
| -155 | 267-62451-08 | BRACKET | - | 1 | | |
| -157 | 267-62452-08 | SCREW | - | 1 | | |

7 ELECTRIC DEVICE



| REF. | PART NUMBER | PART NAME | CODE NO. | QTY | REMARKS | INTERCHANGE |
|------|--------------|--------------------|----------|-----|-------------------|--------------|
| 10 | 267-79201-11 | FLYWHEEL CP | - | 1 | MARK MF5118 | |
| 11 | 267-79401-21 | IGNITION COIL CP | - | 1 | MARK BM3748 A | |
| 30 | 001-14062-50 | BOLT AND WASHER AY | - | 2 | M6X1.0X25L W/W,SW | |
| 50 | 267-73101-01 | WIRE 1 CP | - | 1 | L=330 BLACK | |
| 60 | X66-00003-61 | SWITCH AY | - | 1 | | 066-00003-61 |
| 70 | 015-00400-90 | TAPPING SCREW | - | 2 | M4X12L | |
| 80 | 227-75001-03 | GROMMET | - | 1 | | |
| 100 | 065-01404-80 | SPARK PLUG | - | 1 | NGK BPR6ES | |
| 110 | 065-50002-30 | SPARK PLUG CAP | - | 1 | | |

9 ACCESSORIES LABEL



| REF. | PART NUMBER | PART NAME | CODE NO. | QTY | REMARKS | INTERCHANGE |
|------|--------------|--------------------|----------|-----|---------|-------------|
| 10 | 224-90303-00 | ACCESSORY TOOL KIT | - | 1 | | |



serie EK

MANUALE D'USO E MANUTENZIONE
USE AND MAINTENANCE MANUAL
MANUEL POUR L'EMPLOI ET L'ENTRETIEN
BEDIENUNGS - UND WARTUNGSANLEITUNG
MANUAL PARA EL USO Y MANTENIMIENTO



INFORMAZIONI GENERALI

Le presenti istruzioni hanno lo scopo d'indicare le corrette condizioni d'impiego e manutenzione dei generatori SINCRO.

VERIFICHE PRELIMINARI

Si raccomanda di esaminare l'alternatore per verificare che non abbia subito danni durante il trasporto.

IMMAGAZZINAGGIO

In caso di inutilizzo prolungato, l'alternatore deve essere immagazzinato in luogo asciutto e coperto.

Prima della messa in servizio, dopo lunghi periodi di inattività, controllare la bontà d'isolamento di tutti gli avvolgimenti; valori accettabili devono essere maggiori di 2 MΩ. In caso contrario si deve procedere all'essiccazione del solo alternatore in forno (60+80°C).

INSTALLAZIONE

Prima della messa in funzione, verificare la bontà dei collegamenti, e l'assenza d'impedimenti alla rotazione del rotore.

Fare attenzione che le aperture per l'aspirazione e espulsione dell'aria non siano ostruite, evitare inoltre che l'alternatore aspiri l'aria calda espulsa dall'alternatore stesso e/o dal motore.

COLLEGAMENTO ELETTRICO

Rispettare le norme di sicurezza vigenti del paese d'utilizzo.

Verificare che i dati di targa siano conformi alle caratteristiche dell'impianto a cui la macchina verrà collegata.

Provvedere al collegamento a terra del gruppo.

MANUTENZIONE

Verificare che non ci siano anomalie, come vibrazioni - rumori - uscite d'aria ostruite.



ATTENZIONE!

Non toccare l'alternatore durante il funzionamento e subito dopo l'arresto del gruppo, in quanto vi potrebbero essere superfici a temperatura elevata

Le macchine elettriche rotanti sono macchine che presentano parti pericolose in quanto poste sotto tensione o dotate di movimento durante il funzionamento, pertanto:

- un uso improprio
- la rimozione delle protezioni e lo scollegamento dei dispositivi di protezione
- la carenza di ispezioni e manutenzione possono causare gravi danni a persone o cose.

Di conseguenza per ogni operazione di carattere elettrico o meccanico si richiede personale qualificato.

GENERAL INFORMATION

The object of these instructions is to indicate correct operating - maintenance conditions.

PRELIMINARY CHECKS

We recommend inspecting the alternator after shipping for damage.

STORAGE

In case the alternator is not installed immediately, it should be kept indoors in a dry place.

Before starting the alternator, after a long period of inactivity or storage, the insulation resistance of the winding must be measured. An acceptable value is at least 2 MΩ.

If this is not reached, only the alternator must be dried in an oven at 60 + 80 °C.

INSTALLATION

Before starting we recommended checking the connections and make sure that there is no obstacle to the rotation of the rotor.

Make sure that the air inlet and outlet are free from obstacles.

Prevent the alternator from sucking the warm air from the motor or itself.

ELECTRIC CONNECTION

The electric connection must be performed in accordance with the local regulations in force. Make sure that the rating plate data correspond to the specifications of the power mains to which the machine will be connected. Provide the unit with adequate grounding.

MAINTENANCE

Check periodically if there are any anomalies such as vibrations - noise - obstructions of inlets and outlets.



WARNING!

Never touch the alternator during operation or immediately after the stopping of the unit because some surface parts might still be very hot.

Electric rotating machines have dangerous parts: when operating they have live and rotating components. Therefore:

- improper use
- the removal of protective covers and the disconnection of protection devices
- inadequate inspection and maintenance can cause personal injury or property damage.

Electrical and mechanical servicing must be performed by qualified personnel only.

INFORMATIONS GENERALES

Le présent mode d'emploi a pour objet de donner les informations nécessaires à un emploi et à un entretien correct des générateurs SINCRO.

VERIFICATIONS PRELIMINAIRES

Contrôler l'état de l'alternateur afin de relever les dommages éventuels subis durant le transport.

STOCKAGE

En cas de non-utilisation prolongée de l'alternateur, ce dernier doit être stocké dans un lieu sec et à l'abri des agents atmosphériques.

Après une période de non-utilisation prolongée, la mise en service doit être précédée par un contrôle de l'isolement de tous les enroulements. Les valeurs acceptables doivent être supérieures à 2MΩ. Si tel n'est pas le cas, procéder à la dessiccation de l'alternateur dans un four (60+80°C).

INSTALLATION

Avant la mise en service, vérifier la qualité des connexions et qu'il n'existe aucun empêchement à la rotation du rotor.

S'assurer que les ouvertures pour la ventilation ne sont pas obstruées. Eviter que l'alternateur aspire ses propres émanations d'air chaud ou celles émises par le moteur.

CONNEXION ELECTRIQUE

Respecter les normes de sécurité en vigueur dans le pays d'installation. Vérifier la conformité des données de plaque aux caractéristiques de l'installation à laquelle la machine sera branchée. Effectuer la liaison du groupe avec la borne de terre.

ENTRETIEN

Vérifier périodiquement le bon fonctionnement du groupe afin de relever d'éventuelles anomalies comme, vibrations - bruits suspects - obstruction des sorties d'air.



ATTENTION!

Ne pas toucher l'alternateur lors de son fonctionnement et tout de suite après l'arrêt du groupe à cause d'un risque de température élevée des surfaces.

Les machines électriques rotatives présentent des parties dangereuses car elles sont sous tension ou dotées de mouvement. C'est pourquoi:

- Une utilisation non conforme,
- La violation des protections et le débranchement de ces dernières,
- Un manquement dans les contrôles et l'entretien,

peuvent causer de graves dommages aux personnes et aux matériels.

Toutes les opérations à caractère électrique ou mécanique demandent donc l'intervention de personnel qualifié.

ALLGEMEINE INFORMATIONEN

Diese Anleitung dient zur richtigen Verwendung und Wartung der SINCRO Generatoren.

VORPRÜFUNG

Es wird empfohlen, sich zu überzeugen, daß der Generator keinen Versandschaden erlitten hat.

LAGERUNG

Wenn man für eine lange Zeit den Generator nicht verwendet, soll er auf einer trockenen Stelle gelagert werden. Vor der Inbetriebsetzung ist es besser, die Isolierung aller Wicklungen zu prüfen; nur ein über $2\text{M}\Omega$ liegender Wert ist akzeptabel, sonst ist das Trocknen des Generators im Ofen ($60+80^{\circ}\text{C}$) erforderlich.

INSTALLATION

Vor der Inbetriebnahme, sind die Anschlüsse auf ihre guten Zustand zu prüfen, der Rotor soll hindernisfrei rotieren können. Sich überzeugen, daß die Öffnungen für die Luftansaugung und den Luftauslaß nicht verstopft sind.

Es ist zu vermeiden, daß der Wechselstromgenerator die vom Generator selbst bzw. vom Motor ausgestoßene Warmluft ansaugt.

ANSCHLUSS

Für den Anschluß die landesgültigen Unfallschutzvorschriften einhalten.

Sich überzeugen, daß die Daten des Schildes den Eigenschaften der Anlage entsprechen, an die die Maschine angeschlossen wird.

Für den Erdungsanschluß des Aggregats vorsehen.

WARTUNG

Es ist wichtig, daß keine Schwingungen, Geräusche, verstopfte Luftauslässe vorhanden sind.



ACHTUNG

Den Generator während des Betriebs und gleich nach dem Anhalten des Aggregats nicht anfassen, da die Flächen heiß sein könnten.

Elektrische Rotationsmaschinen weisen gefährliche Teile auf, die entweder unter Spannung stehen oder während des Maschinenbetriebs drehen.

Daher können:

- unsachgemäßer Gebrauch;
- Entfernen der Schutzverkleidungen und Überbrücken oder Abklemmen der Schutzeinrichtungen
- mangelhafte Inspektion oder Wartung zu schweren Personen- oder Sachschäden führen.

Daher soll jeder elektrische oder mechanische Eingriff von Fachpersonal vorgenommen werden.

INFORMACIONES GENERALES

Este manual ha sido recopilado con el objetivo de suministrar al usuario todas las indicaciones necesarias sobre el correcto empleo y mantenimiento de los alternadores SINCRO.

VERIFICACIÓN PRELIMINAR

Aconsejamos comprobar que el alternador no haya sufrido daños durante el transporte.

ALMACENAJE

En caso de largos períodos de inactividad, hay que almacenar el alternador en un lugar seco y cubierto.

Antes de la puesta en marcha, después de un periodo largo de inactividad, controlar el aislamiento de todos los bobinados, valores aceptables tienen que ser mayores de los $2\text{M}\Omega$. En caso contrario hay que secar sólo el alternador en horno ($60+80^{\circ}\text{C}$).

INSTALACIÓN

Antes de la puesta en marcha verificar el estado de las conexiones y comprobar que no hay nada que pueda impedir la rotación del rotor.

Controlar que los orificios de aspiración-expulsión del aire no están obstruidos, además evitar que el alternador aspire aire caliente evacuado por el mismo alternador y/o por el motor.

CONEXIÓN ELÉCTRICA

Respetar las normas de seguridad vigentes en el país de utilización.

Verificar que los datos de placa corresponden a las características de la red en el lugar de instalación de la máquina.

Efectuar la puesta a tierra del grupo.

MANTENIMIENTO

Comprobar que no hay anomalías como vibraciones, ruidos y salidas de aire obstruidas.



ATENCIÓN

Nunca tocar el alternador durante el funcionamiento o inmediatamente después de la parada del grupo, dado que hay superficies de temperatura elevada

Las máquinas eléctricas giratorias son máquinas que tienen piezas peligrosas ya que están bajo tensión o se mueven durante el funcionamiento. Por lo tanto:

- el uso inadecuado
- la remoción de las protecciones y la desconexión de los dispositivos de seguridad
- la falta de chequeo y mantenimiento, pueden causar daños graves a personas o cosas.

Por consiguiente, las operaciones de carácter eléctrico o mecánico deben llevarse a cabo únicamente por personas cualificadas.

ISTRUZIONI PER IL MONTAGGIO (FORMA IM B35)

ATTENZIONE: prima del montaggio verificare che le sedi coniche di accoppiamento (sia dell'alternatore che del motore) siano regolari e ben pulite.

- 1) Fissare lo scudo copriventola (3) al motore (dopo averlo tolto dall'alternatore).
- 2) Applicare il tirante (18) per il fissaggio assiale del rotore avvitandolo sulla sporgenza dell'albero motore.
- 3) Fissare l'alternatore completo (statore e rotore assieme) allo scudo usando i 4 tiranti M8 (17) e i dadi autobloccanti M8 (D)
- 4) Bloccare assialmente il rotore avvitando il dado autobloccante M8 (D) sul tirante (18).
Attenzione: prima di applicare il dado osservare che parte della porzione filettata del tirante entri nel rotore permettendo così un sicuro bloccaggio.
- 5) Montare il tappo (13).
Fissare le due griglie di protezione (1).
- 6) Supportare il gruppo con adeguati antivibranti (A) curando il corretto allineamento tra motore e alternatore

ASSEMBLY INSTRUCTIONS (IM B35 COUPLING)

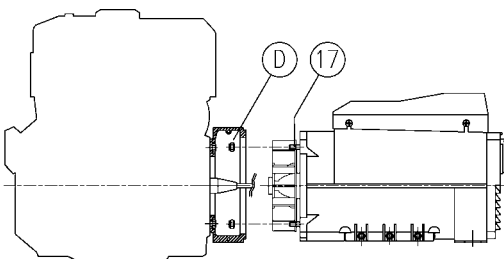
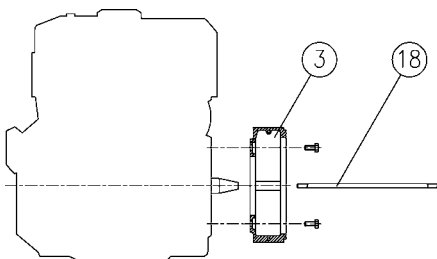
ON: before assembly make sure that the conical coupling housings for both the alternator and the motor are in order and clean.

- 1) Clamp the fan shield (3) on the drive motor (after removing it from the alternator).
- 2) Apply the tie rod (18) for the axial clamping of the rotor, and screw it on the drive shaft.
- 3) Fasten the complete alternator (stator and rotor together) to its shield, using the 4 tie rods M8 (17) and the M8 (D) self-locking nuts.
- 4) Axially lock the rotor in place by tightening the M8 (D) self-locking nut on the tie rod (18).
Caution: before applying the nut, make sure that the threaded part of the rod partially enters the rotor in order to obtain tight locking.
- 5) Fasten the tap (13).
Fasten the protection grid (1).
- 6) Support the unit on appropriate vibration dampeners (A) taking care on the alignment between engine and alternator.

INSTRUCTIONS POUR LE MONTAGE (FORME IM B35)

ATTENTION: Avant d'effectuer le montage, vérifier que les sièges coniques d'accouplement (de l'alternateur comme du moteur) sont en ordre et bien nettoyés.

- 1) Fixer le bouclier couvre-rotor (3) au moteur (après l'avoir désolidarisé de l'alternateur).
- 2) Mettre en place la tige (18) de fixation axiale du rotor en la vissant à l'ergot de l'arbre moteur.
- 3) Fixer l'alternateur (complet avec stator et rotor) au bouclier au moyen de 4 tiges M8 (17) et les écrous autobloquants M8 (D).
- 4) Bloquer l'axe du rotor en serrant l'écrou autobloquant M8 (D) sur la tige centrale (18).
Attention: Avant de mettre en place l'écrou, contrôler que la partie filetée de la tige est insérée dans le rotor permettant ainsi un blocage sûr.
- 5) Fixer le bouchon (13).
Fixer les deux grilles de protection (1).
- 6) Soutenir le groupe avec des amortisseurs de vibrations (A) en faisant attention que le moteur et l'alternateur soient dans le même axe.



REGOLAZIONE DELLA VELOCITA'

La frequenza e la tensione dipendono direttamente dalla velocità di rotazione, la quale deve quindi rimanere il più possibile costante al variare del carico.

Considerando che il sistema di regolazione della velocità dei motori di trascinamento presenta in generale una leggera caduta di giri tra vuoto e carico, si raccomanda di regolare la velocità a vuoto circa il 3-4% superiore alla velocità nominale.

Con questa regolazione la tensione erogata dall'alternatore a vuoto risulta circa il 5% superiore al valore nominale.

SPEED ADJUSTMENT

Frequency and voltage depend directly on the speed of revolution, which must therefore remain as constant as possible when the load varies.

The speed adjustment system of the drive motors usually gives a slight drop in revolutions between no load and load, so when the no load speed is being adjusted, it is best to set it at approx. 3-4% above the rated speed.

With this adjustment the no load voltage supplied by the alternator will be about 5% over its rated value.

RÉGLAGE DE LA VITESSE

La fréquence et la tension dépendent directement de la vitesse de rotation qui doit rester le plus possible constante quand la charge varie.

Vu que le système de réglage de la vitesse des moteurs d'entraînement présente en général une légère baisse du nombre de tours à vide ou en charge, il est conseillé de régler la vitesse à vide à une valeur supérieure de 3 à 4% par rapport à la vitesse nominale.

Avec ce réglage, la tension générée par l'alternateur à vide est supérieure d'environ 5% par rapport à la vitesse nominale.

MONTAGEANLEITUNG (IMB35 ANSCHLUSS)

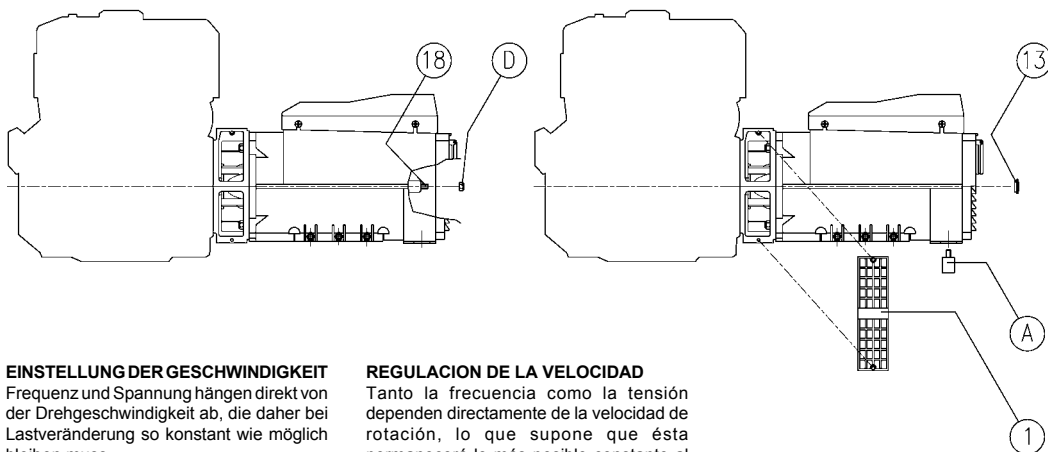
ACHTUNG: Sich vor dem Einbau überzeugen, daß die kegelförmigen Kupplungssitze (sowohl des Generators als auch des Motors) regelmässig und sauber ist.

- 1) Das Flügelrad-Abdeckschild (3) am Motor befestigen (nachdem es vom Generator entfernt wurde).
- 2) Die Spannstange (18) für die Längsbefestigung des Rotors anbringen und sie auf der Vorkragung der Motorwelle festschrauben.
- 3) Den vollständigen Generator (Stator und Rotor zusammen) mit den 4 Spannstangen M8 (17) und den selbstsperrenden M8 Muttern (D) am Kasten befestigen.
- 4) Den Rotor axial blockieren, und die selbstsperrende M8 Mutter (D) an die Spannstange (18) anzuschrauben.
Achtung: bevor die Mutter angebracht wird, beachten, dass ein Teil des Gewindes der Spannstange in den Rotor eintritt und dadurch eine sichere Blockierung ermöglicht.
- 5) Den Stopfen (13) montieren.
Den zwei Schutzgitter (1) montieren.
- 6) Das Aggregat mit geeigneten Schwingungsdämpfern (A) stützen, dabei die korrekte Ausrichtung zwischen Motor und Generator beachten.

INSTRUCCIONES DE MONTAJE (ACOPLAMIENTO IMB35)

AVISO: Antes del montaje cerciorarse de que los asientos cónicos de acoplamiento (tanto del alternador como del motor) son regulares y limpios.

- 1) Fijar el escudo cubreventilador (3) al motor (después de haberlo sacado del alternador).
- 2) Aplicar el tirante (18) para la fijación axial del rotor enroscándolo en la parte saliente del eje motor.
- 3) Fijar el alternador completo (estator y rotor juntos) en el escudo utilizando los 4 tirantes M8 (17) y las tuercas de seguridad M8 (D).
- 4) Bloquear axialmente el rotor enroscando la tuerca autobloqueante M8 (D) en el tirante (18).
Aviso: para realizar un bloqueo seguro, antes de aplicar la tuerca hacer entrar una parte de la pieza fileteada del tirante en el rotor.
- 5) Montar el tapón (13).
Fijar las dos rejillas de protección (1)
- 6) Sostener el grupo con antivibradores (A) adecuados cuidando de que el motor y el alternador se encuentren correctamente alineados.



EINSTELLUNG DER GESCHWINDIGKEIT

Frequenz und Spannung hängen direkt von der Drehgeschwindigkeit ab, die daher bei Lastveränderung so konstant wie möglich bleiben muss.

Unter Berücksichtigung, dass das Regulierungssystem der Geschwindigkeit der Mitnehmermotoren im allgemeinen einen leichten Drehzahlabfall zwischen Leerlauf und Last aufweist, wird empfohlen, die Leerlaufgeschwindigkeit auf ca. 3+4% höher als die Nenngeschwindigkeit einzustellen.

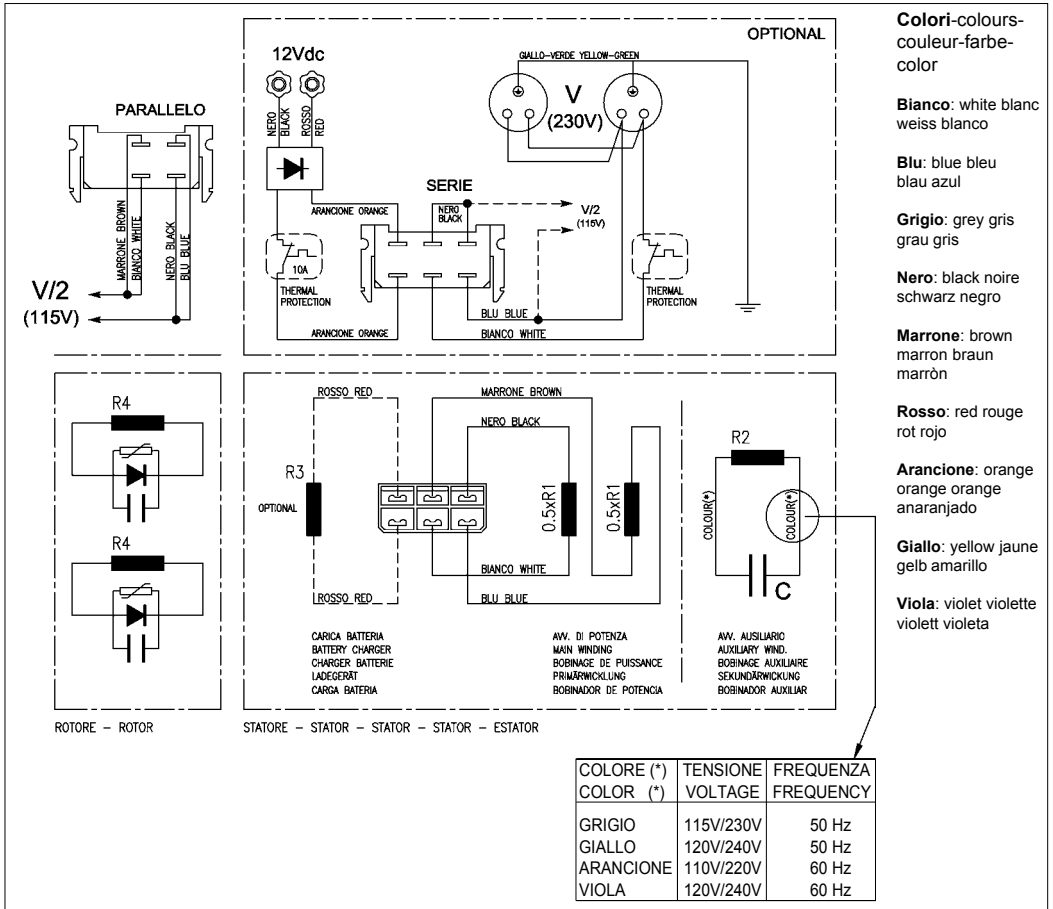
Mit dieser Regulierung wird die vom Wechselstromgenerator bei Leerlauf gelieferte Spannung ca. 5% höher als der Nennwert sein.

REGULACIÓN DE LA VELOCIDAD

Tanto la frecuencia como la tensión dependen directamente de la velocidad de rotación, lo que supone que ésta permanecerá lo más posible constante al variar la carga.

Dado que el sistema de regulación de la velocidad de los motores de arrastre presenta una ligera disminución de revoluciones entre vacío y cargado, se recomienda regular la velocidad en vacío alrededor del 3+4% superior a la velocidad nominal.

De hacerlo así, la tensión suministrada por el alternador en vacío resultará de casi el 5% superior al valor nominal.



| COLORE (*) COLOR (*) | TENSIONE VOLTAGE | FREQUENZA FREQUENCY |
|-------------------------|---------------------|------------------------|
| GRIGIO | 115V/230V | 50 Hz |
| GIALLO | 120V/240V | 50 Hz |
| ARANCIONE | 110V/220V | 60 Hz |
| VIOLA | 120V/240V | 60 Hz |

Resistenze degli avvolgimenti a 20°C

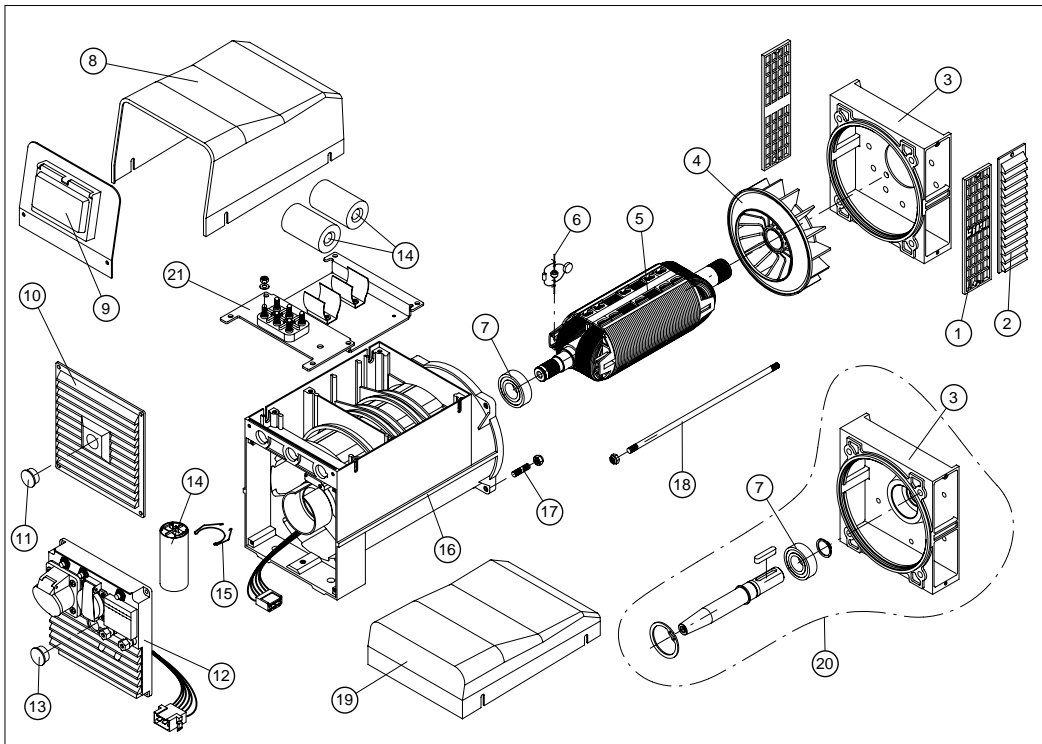
Winding resistances at 20°C

Résistances bobines à 20°C

Widerstand der Wicklung bei 20°C

Resistencias de los bobinados a 20°

| Tipo Type Type Typ Tipo | 50 Hz - 3000 r.p.m. - 230V | | | | | | 60 Hz - 3600 r.p.m. - 240V | | | | | |
|-------------------------------------|---|--|---|---|-----------------------------------|---|---|--|---|---|-----------------------------------|---|
| | Potenza Power Puissance Leistung Potencia | Statore Stator Stator Estator | Ausiliario Auxiliary Excitation Erregung Excitación | Carica batt. Batt. charger Char. batt Ladegerät Carga batería | Rotore Rotor Rotor Rotor | Condensat. Capacitor Condensat. Kondensator. Condensat. | Potenza Power Puissance Leistung Potencia | Statore Stator Stator Estator | Ausiliario Auxiliary Excitation Erregung Excitación | Carica batt. Batt. charger Char. batt Ladegerät Carga batería | Rotore Rotor Rotor Rotor | Condensat. Capacitor Condensat. Kondensator. Condensat. |
| | kVA | (R1) | (R2) | (R3) | (R4) | (450V) | kVA | (R1) | (R2) | (R3) | (R4) | (450V) |
| | Ω | Ω | Ω | Ω | μF | | Ω | Ω | Ω | Ω | μF | |
| EK2MCL | 5 | 0.87 | 1.5 | 0.14 | 2.4 | 36 | 6.2 | 0.62 | 1.2 | 0.12 | 2.4 | 40 |
| EK2LAL | 6 | 0.6 | 1.6 | 0.12 | 2.7 | 36 | 7.5 | 0.48 | 1.1 | 0.1 | 2.7 | 40 |
| EK2LBL | 7 | 0.48 | 1.5 | 0.12 | 3.0 | 40 | 8.8 | 0.37 | 1.0 | 0.1 | 3.0 | 40 |
| EK2LCL | 8 | 0.4 | 1.5 | 0.11 | 3.1 | 40 | 10 | 0.34 | 0.75 | 0.092 | 3.1 | 25+25 |



Parti di ricambio

Spare parts list

Pieces detachees

Ersatzteilliste

Partes de recambio

| N.RIF | CODICE SINCRO | DESCRIZIONE | DESCRIPTION | DESCRIPTION | BESCHREIBUNG | DESCRIPCIÓN |
|-------|---------------|---|---|--|---|--|
| 1 | 266062001 | Griglia anteriore IP21 | Front grid IP21 | Grille de protection antérieure IP21 | Vorderes Gitter IP21 | Rejilla anterior IP21 |
| 2 | 266042001 | Griglia anteriore IP23 | Front grid IP23 | Grille de protection antérieure IP23 | Vorderes Gitter IP23 | Rejilla anterior IP23 |
| 3(*) | 4061011023 | Scudo anteriore "E" IMB35 J609A | Front shield "E" IMB35 J609A | Flasque antérieur "E" IMB35 J609A | Vorderer Kasten "E" IMB35 J609A | Escudo anterior "E" IMB35 J609A |
| | 4061011031 | Scudo anteriore "E" IMB35 J609B | Front shield "E" IMB35 J609B | Flasque antérieur "E" IMB35 J609B | Vorderer Kasten "E" IMB35 J609B | Escudo anterior "E" IMB35 J609B |
| | 4061011022 | Scudo anteriore "E" IMB35 c.23-c.30 | Front shield "E" IMB35 c.23-c.30 | Flasque antérieur "E" IMB35 c.23-c.30 | Vorderer Kasten "E" IMB35 c.23-c.30 | Escudo anterior "E" IMB35 c.23-c.30 |
| | 4061011011 | Scudo anteriore "E" IMB34 (B3/B14) | Front shield "E" IMB34 (B3/B14) | Flasque antérieur "E" IMB34 (B3/B14) | Vorderer Kasten "E" IMB34 (B3/B14) | Escudo anterior "E" IMB34 (B3/B14) |
| 4(*) | 266083001 | Ventola (con foro d.30) | Fan (with hole d.30) | Ventilateur (avec trou d.30) | Lüfterrad mit Loch d.30 | Ventilador agujero d.30 |
| | 266083002 | Ventola (con foro d.35) | Fan (with hole d.35) | Ventilateur (avec trou d.35) | Lüfterrad mit Loch d.35 | Ventilador agujero d.35 |
| 5(*) | 521222--- | Rotore EK-L (Accoppiamento ?) (1) | Rotor EK-L (Coupling ?) (1) | Rotor EK-L (Accouplement ?) (1) | Rotor EK-L (Kupplung ?) (1) | Rotor EK-L (Acoplamiento ?) (1) |
| 6 | 79060 | Diodo + Varistore + Condensatore EMC | Diode + Varistor + EMC Capacitor | Diode + Varistor + Condensateur EMC | Diode + Varistor + Kondensator EMC | Diodo + Varíador + Condensador EMC |
| 7 | 1750016205 | Cuscinetto 6205 2RS C3 | Bearing - 6205 2RS C3 | Roulement - 6205 2RS C3 | Lager 6205 2RS C3 | Cojinetes 6205 2RS C3 |
| 8 | 266024005 | Coperchio ET-EW-EKM nero | ET-EW-EKM black top cover | Couvercle supérieur ET-EW-EKM noir | Gitterhalbedeckel ET-EW-EKM schwarz | Tapa negra (ET-EW-EKM) |
| | 266014003 | Coperchio ET-EW-EKM rosso | ET-EW-EKM red top cover | Couvercle supérieur ET-EW-EKM rouge | Gitterhalbedeckel ET-EW-EKM rot | Tapa roja (ET-EW-EKM) |
| 9(*) | 215009046 | Mostrina E cieca | Blind E panel | Plaque E de base (sans trous) | E - Platte (blind) | Placa de aluminio E ciega |
| | 70120-- | Quadretto ET monofase (vedi...) | ET single-phase panel (see...) | Tableau monophasé ET (voir...) | Schalbrett ET einphasiger (siehe...) | Cuadro ET monofasico (Véase...) |
| 10 | 266022004 | Griglia posteriore IP23 GS100T | IP23 end cover (GS100T) | Couvercle postér. aspiration IP23 | Hinteres Gitter IP23 GS100T | Rejilla trasera IP23 GS 100 T |
| 11 | 266024008 | Tappo GS100T / KS | Tap (GS100T / KS) | Bouchon (GS100T / KS) | Stopfen GS100T / KS | Tapón GS100T / KS |
| 12(*) | 266061004 | Cuffia EK cieca | Blind EK end cover | Couvercle post. aspiration EK sans trous | EK Schutzkasten | Tapa EK ciega posterior |
| | 7022-- | Quadretto EK monofase (vedi...) | EK single-phase panel (see...) | Tableau monophasé EK (voir...) | Schalbrett EK einphasiger (siehe...) | Cuadro EK monofasico (Véase...) |
| 13 | 266064007 | Tappo EK | Tap (EK) | Bouchon (EK) | Stopfen (EK) | Tapa EK |
| 14(*) | 3001000-- | Condensatore --µF 450V | Capacitor --µF 450V | Condensateur --µF 450V | Kondensator --µF 450V | Condensador --µF 450V |
| 15 | 179005010 | Molla portacondensatore EK (d.35-40) | EK (d.35-40) capacitor block spring | Ressort fixation condens. EK(d.35-40) | EK (d.35-40) - Kondensatorhalterfeder | Resorte portacondensador EK (d.35-40) |
| | 179005041 | Molla portacondensatore EK (d.45-50) | EK (d.45-50) capacitor block spring | Ressort fixation condens. EK(d.45-50) | EK (d.45-50) - Kondensatorhalterfeder | Resorte portacondensador EK (d.45-50) |
| 16(*) | 681273---- | Carcazza + Stat. EK-L | Housing + Stat. EK-L | Carcasse + Stat. EK-L | Gehäuse + Stat. EK-L | Carcasa + Estat. EK-L |
| 17 | 176002030 | Tirante M8x30 | Stay bolt - M8x30 | Tige M8x30 | Spannstange M8x30 | Tirante M8x30 |
| 18(*) | 17600-- | Tirante albero (dimensioni-accoppiam.?) | Shaft stay bolt (dimensions-coupling ?) | Tige centrale (dimensions-accouplerm.?) | Spannstange (Kupplungsabmessung ?) | Tirante árbol (dimens. - acoplamiento ?) |
| | 266024003 | Coperchio EK nero | EK black top cover | Couvercle supérieur EK noir | Gitterhalbedeckel EK schwarz | Tapa negra (EK) |
| | 266014002 | Coperchio EK rosso | EK red top cover | Couvercle supérieur EK rouge | Gitterhalbedeckel EK rot | Tapa roja (EK) |
| 20 | 3000005 | KIT: da IMB35 J609B a IMB34 (B3/B14) | KIT: from IMB35 J609B to IMB34 (B3/B14) | KIT: de IMB35 J609B a IMB34 (B3/B14) | KIT: von IMB35 J609B bis IMB34 (B3/B14) | KIT: da IMB35 J609B a IMB34 (B3/B14) |
| | | (1) Comprende il particolare 6 | (1) 6 item is included | (1) Comprend la pièce 6 | (1) Teil e inbegriffen | (1) Incluye el particular 6 |

(*) Includere nella richiesta di pezzi di ricambio la descrizione dell'oggetto, il codice, il numero di matricola e le caratteristiche della macchina (rilevabili dalla targhetta).

(*) When ordering spare parts, please indicate the alternator code-number and machine serial number and characteristics (they are available on the label)

(*) Nous vous prions d'indiquer, dans vos commandes de pièces de rechange, la description de la pièce, le numéro de code et de série et les caractéristiques de la machine

(*) In den Ersatzteilanfrage sind die Gegenstandsbeschreibung, die Materialnummer, die Kennnummer und die Eigenschaften der Maschine (vom Schild zu entnehmen) anzugeben.

(*) Solicitar las piezas de recambio siempre indicando la descripción del objeto, el código, el número de matricula y las características de la máquina (descritas en la placa de identificación).

| INCONVENIENTI | CAUSE | RIMEDIO |
|---|---|--|
| Il generatore non si eccita. | 1) Macchina smagnetizzata. 2) Velocità ridotta. 3) Diodi rotanti difettosi. 4) Condensatore difettoso 5) Guasto negli avvolgimenti. | 1) Applicare ai morsetti d'uscita per 1 sec. una tensione continua compresa tra 6 +12 V. 2) Controllare i giri e portarli al valore nominale. 3) Controllare e sostituire. 4) Controllare e sostituire. 5) Controllare le resistenze degli avvolgimenti come da tabella. |
| Tensione a vuoto bassa. | 1) Velocità ridotta. 2) Diodi rotanti difettosi. 3) Condensatore di valore errato 4) Avvolgimenti avariati. | 1) Controllare i giri e regolare. 2) Controllare e sostituire. 3) Controllare e sostituire. 4) Controllare le resistenze degli avvolgimenti come da tabella. |
| Tensione a vuoto troppo alta. | 1) Velocità motore troppo alta. 2) Condensatore di valore errato | 1) Controllare i giri e regolare. 2) Controllare e sostituire. |
| Tensione corretta a vuoto, troppo bassa a carico. | 1) Possibile sovraccarico. 2) Il motore rallenta. 3) Diodi rotanti difettosi. | 1) Controllare la corrente di carico. 2) Controllare dimensionamento motore. 3) Controllare e sostituire. |
| Tensione instabile. | 1) Contatti incerti. 2) Irregolarità di rotazione. | 1) Controllare le connessioni. 2) Verificare l'uniformità di rotazione. |
| Surriscaldamento della macchina. | 1) Aperture di ventilazione parzialmente ostruite. 2) Possibile sovraccarico. | 1) Smontare e pulire le cuffie di aspirazione ed espulsione aria. 2) Controllare la corrente di carico. |
| Macchina rumorosa. | 1) Cuscinetti avariati. 2) Accoppiamento difettoso. | 1) Controllare e sostituire. 2) Verificare e riparare. |

| DEFECT | CAUSE | REMEDY |
|--|--|---|
| The alternator does not excite. | 1) Demagnetized machine. 2) Reduced speed. 3) Faulty rotating diodes. 4) Faulty rotating diodes. 5) Failure in the windings. | 1) Apply to the terminal a DC voltage between 6+12V for 1 second. 2) Check the speed and bring it to the rated value. 3) Check and replace. 4) Check and replace. 5) Check the windings resistances as per the table. |
| Low no-load voltage | 1) Reduced speed. 2) Faulty rotating diodes. 3) Wrong capacitor value. 4) Faulty windings. | 1) Check the speed and regulate. 2) Check and replace. 3) Check and replace. 4) Check the resistance as per the table. |
| Too high no-load voltage | 1) Excessive motor speed. 2) Wrong capacitor value. | 1) Regulate the motor speed. 2) Check and replace. |
| Correct no-load voltage and too low full-load voltage. | 1) Probable overload. 2) The engine speed slows down. 3) Faulty rectifier bridge. | 1) Check the load current. 2) Check motor dimensions. 3) Check and replace. |
| Unstable voltage. | 1) Loose connections. 2) Irregular rotation. | 1) Check the connections. 2) Verify the rotation uniformity. |
| Machine overheating. | 1) Partially obstructed ventilation openings. 2) Probable overload. | 1) Remove and clean the air inlet and outlet grids. 2) Check the load current. |
| Noisy machine. | 1) Faulty bearings. 2) Faulty coupling. | 1) Check and replace. 2) Verify and repair. |

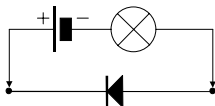
| PANNES | CAUSES | SOLUTIONS |
|---------------------------------|--|---|
| Le générateur ne s'excite pas. | 1) Machine démagnétisée. 2) Vitesse réduite. 3) Diodes roullantes défectueuses. 4) Condensateur défectueux. 5) Pannes au niveau des bobines. | 1) Appliquer aux bornes en sortie durant 1 seconde une tension continue comprise entre $6 \pm 12V$. 2) Contrôler les tours et les porter à la valeur nominale. 3) Contrôler et substituer si nécessaire. 4) Contrôler et substituer si nécessaire. 5) Contrôler les résistances des bobines en suivant les indications données par le tableau. |
| Tension à vide insuffisante. | 1) Vitesse réduite. 2) Diodes roullantes défectueuses. 3) Valeur du condensateur erronée. 4) Bobines défectueuses. | 1) Contrôler les tours et les régler si nécessaire. 2) Contrôler et substituer si nécessaire. 3) Contrôler et substituer si nécessaire. 4) Contrôler les résistances des bobines en suivant les indications données par le tableau. |
| Tension à vide trop élevée. | 1) Vitesse moteur trop élevée. 2) Valeur du condensateur erronée. | 1) Contrôler les tours et les régler si nécessaire. 2) Contrôler et substituer si nécessaire. |
| Tension à vide correcte. | 1) Possible surcharge. | 1) Contrôler le courant de charge. |
| Tension en charge insuffisante. | 2) Le moteur ralenti. 3) Diodes roullantes défectueuses. | 2) Contrôler dimensions moteur. 3) Contrôler et substituer si nécessaire. |
| Tension instable. | 1) Contacts incertains. 2) Irrégularité dans la rotation. | 1) Contrôler les connexions. 2) Vérifier l'uniformité de la rotation. |
| Surchauffe de la machine. | 1) Ouvertures ventilation partiellement obstruées. 2) Possible surcharge. | 1) Démontet et nettoyer les protecteurs aspiration et expulsion air. 2) Contrôler le courant de charge. |
| Niveau sonore machine élevé. | 1) Coussinets endommagés. 2) Accouplement défectueux. | 1) Contrôler et substituer si nécessaire. 2) Contrôler et réparer. |

| STÖRUNG | URSACHE | ABHILFE |
|--|--|--|
| Der Generator erregt sich nicht. | 1) Entmagnetisierung der Maschine. 2) Antriebsdrehzahl zu niedrig. 3) Fehlerhafte drehende Diode. 4) Fehlerhafter Kondensator 5) Wicklungsstörung. | 1) En den klemmen für eine Sekunde eine Gleichspannung zwischen 6 und 12 V anbringen 2) Drehzahl des Antriebsmotors auf Nennwert bringen. 3) Kontrollieren und ersetzen. 4) Wicklungswiderstände entsprechend der Tabelle überprüfen. 5) Kontrollieren und ersetzen. |
| Niedrige Leerlaufspannung. | 1) Antriebsdrehzahl zu niedrig. 2) Fehlerhafte drehende Diode. 3) Wicklungen beschädigt. 4) Kondensator mit falschen Wert | 1) Drehzahl kontrollieren und regeln. 2) Kontrollieren und ersetzen. 3) Wicklungswiderstände entsprechend der Tabelle überprüfen. 4) Kontrollieren und ersetzen |
| Zu hohe Leerlaufspannung. | 1) Antriebsdrehzahl zu hoch. 4) Kondensator mit falschen Wert | 1) Drehzahl kontrollieren und regeln. 4) Kontrollieren und ersetzen |
| Richtige Leerlaufspannung, Lastspannung zu gering. | 1) Zu hohe Belastung. 2) Zu geringe Antriebsleistung. 3) Fehlerhafte drehende Dioden | 1) Belastungsstrom überprüfen. 2) Abgabeleistung des Motors überprüfen. 3) Kontrollieren und ersetzen. |
| Spannungsschwankungen. | 1) Fehlerhafte Kontakte. 2) Drehzahlschwankungen. | 1) Elektrische Anschlüsse überprüfen. 2) Drehzahlregler des Antriebsmotors einstellen. |
| Zu starke Erwärmung der Maschine. | 1) Lüftungsgitter verstopft. 2) Zu hohe Belastung. | 1) Zu- und Abluftgitter demontieren und reinigen. 2) Belastungsstrom überprüfen. |
| Geräusentwicklung. | 1) Schadhafte Kugellager. 2) Fehlerhafte Verbindung von Motor u. Generator. | 1) Überprüfen und ersetzen. 2) Überprüfen und reparieren. |

| FALLA | CAUSA | SOLUCIÓN |
|---|---|--|
| El alternador no se excita. | 1) Máquina desmagnetizada. 2) Velocidad reducida. 3) Diodos rotatorios defectuosos. 4) Condensador defectuoso 5) Avería en los bobinados. | 1) Aplicar a los terminales de salida durante 1 segundo una tensión continua de entre 6-12 V. 2) Comprobar las RPM del motor y llevarlas a su valor nominal . 3) Comprobar y sustituir. 4) Comprobar y sustituir 5) Comprobar las resistencias de los bobinados, como se indica en la tabla. |
| Tensión en vacío baja. | 1) Velocidad reducida. 2) Diodos rotatorios defectuosos. 3) Condensador de valor incorrecto 4) Avería en los bobinados. | 1) Comprobar las RPM y regular. 2) Comprobar y sustituir. 3) Comprobar y sustituir 4) Comprobar las resistencias de los bobinados, como se indica en la tabla. |
| Tensión en vacío demasiado alta. | 1) Velocidad del motor demasiado alta. 2) Entrehierro del compound alto. | 1) Comprobar las RPM y regular. 2) Regularlo. |
| Tensión correcta en vacío, demasiado baja en carga. | 1) Posible sobrecarga. 2) El motor decelera. 3) Diodos rotatorios defectuosos. | 1) Comprobar la corriente de carga. 2) Comprobar el dimensionamiento del motor. 3) Comprobar y sustituir. |
| Tensión inestable. | 1) Contactos inciertos. 2) Irregularidad de rotación. | 1) Controlar las conexiones. 2) Verificar la uniformidad de rotación. |
| Sobrecalentamiento de la máquina. | 1) Orificios de ventilación parcialmente obstruidos. 2) Posible sobrecarga. | 1) Desmontar y limpiar las envolturas de aspiración y expulsión aire. 2) Comprobar la corriente de carga. |
| Ruido en la máquina. | 1) Cojinetes defectuosos. 2) Acoplamiento defectuoso. | 1) Comprobar y sustituir. 2) Comprobar y arreglar. |

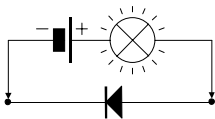
Verifica dei diodi.

Con un ohmmetro controllare ogni singolo diodo che dovrà indicare continuità in un solo senso. Oppure con una pila e una lampadina invertendo la polarità della pila la lampadina si deve accendere in un solo senso come da figura.



Checking the diodes.

Use an ohmmeter to check each individual diode. Diodes must show continuity in one direction only. This check can also be done using a battery and a light bulb. When inverting battery polarity, the light bulb must turn on and off, in one direction only, as shown in the figure below.



Contrôle des diodes.

A l'aide d'un ohmmètre, contrôler les diodes une à une. Chacune d'elle devra indiquer continuité en sens unique.

Ce test peut être réalisé avec une pile et une ampoule. En inversant les pôles de la pile, l'ampoule doit s'allumer dans le seul sens indiqué sur la figure.

Überprüfung des Gleichrichters (Dioden).

Die Dioden werden mit einem Widerstandsmessgerät (Ohmmeter) geprüft. Die Dioden müssen in einer Richtung sperren und in der anderen durchlassen. Die Messung kann auch mit einer Glühlampe und einer Hilfsspannung (Batterie) durchgeführt werden. Die Lampe muss in einer Stromrichtung aufleuchten und in der anderen dunkel bleiben (siehe Figur).

Verificación de los diodos.

Con un ohmímetro comprobar cada diodo que deberá indicar continuidad en un sólo sentido. O bien, con una pila y una bombilla, invirtiendo la polaridad de la pila, la bombilla tiene que encenderse solo en un sentido, tal como se indica en la figura.

La società

The company

La société

SINCRO s.r.l.

Via Tezze,3 - Loc. Cereda - 36073 - Cornedo Vicentino - (Vi) ITALY

dichiara sotto la propria responsabilità che gli alternatori

declares under its own responsibility that the alternators:

déclare sous sa propre responsabilité que les alternateurs

serie EK**serie EK****série EK**

sono costruiti e collaudati in accordo alle norme di seguito indicate:

have been manufactured and tested in compliance with the following standards

sont construits et testés dans le respect des normes indiquées ci-après:

CEI EN 60034-1 (CEI 2-3 - NF 51.100 - VDE 0530 - BS 4999-5000)
CEI EN 60204-1 (CEI 44-5)
EN 292-1, 292-2
IEC 34.1, 34.5

e risultano conformi:

and thereby conform to:

et sont conformes:

1) ai requisiti generali di sicurezza stabiliti dalla Direttiva Bassa Tensione del 19 Febbraio 1973 (73/23 CEE), recepita in Italia con la legge n°791 del 18 Ottobre 1977.

1) all General Safety Requirements as provided by the EEC Low Voltage Directive dated 19 February 1973 (73/23 EEC).

1) Aux conditions générales de sécurité établies par la Directive relative à la basse tension du 19 Février 1973 (73/23 CEE), adoptée par l'Italie par promulgation de la loi n°791 du 18 Octobre 1977.

2) alla Direttiva 89/336 CEE (mod. dalla 93/68 CEE) riguardante il ravvicinamento delle legislazioni degli stati membri in materia di compatibilità elettromagnetica. La verifica di compatibilità è stata condotta in base alle seguenti norme:

2) all principal safety requirement specified by the Committee for Adapting Member States Legal Regulation on Electromagnetic Compatibility (89/336 EEC, 93/68 EEC). The following standards were used to evaluate the electromagnetic compatibility:

2) A la Directive 89/336 CEE (et modification successive 93/68 CEE) concernant l'harmonisation des législations des états membres en matière de compatibilité électromagnétique. La vérification de compatibilité a été effectuée conformément aux normes suivantes:

EN 55011 (CEI 110-6)
EN 50081-1 (CEI 110-7)
EN 50082-1 (CEI 110-8)

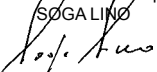
Gli alternatori oggetto della presente dichiarazione sono da intendersi come componenti; pertanto vige il divieto di messa in servizio prima che le macchine in cui saranno incorporati siano dichiarate conformi alle direttive riguardanti la sicurezza (CEE 89/392, art.4, allegato 2, lettera B; CEE 91/368, art.1) e la compatibilità elettromagnetica.

The alternators covered by this certificate must be considered as components and therefore prohibited from being placed in operation before the machine in which they will be used has been certificated for conformity to safety directives (EEC 89/392, art.4, point 2, letter B; EEC 91/368, art.1) and for electromagnetic compatibility.

Les alternateurs objets de la présente déclaration doivent être considérés comme étant des composants. En conséquence, la mise en service de ces derniers est interdite, avant la mise en conformité des machines auxquelles ils seront incorporés. Les dites machines devront être déclarées conformes aux directives regardant la sécurité (CEE 89/392, art.4, annexe 2, lettre B; CEE 91/368, art.1) et la compatibilité électromagnétique.

Cereda di Cornedo, li 02/01/97

SINCRO s.r.l.
L' amministratore unico
The chairman
L'Administrateur unique

SOGALINO


Die Firma

La sociedad

SINCRO s.r.l.

Via Tezze,3 - Loc. Cereda - 36073 - Cornedo Vicentino - (Vi) ITALY

erklärt unter der eigenen Verantwortung, daß der Bau und die Abnahme der Generatoren

declara bajo la propia responsabilidad que los alternadores

Baureihe EK

serie EK

den nachstehenden Vorschriften entspricht:

han sido fabricados y probados siguiendo la normativa que se detalla a continuación:

- CEI EN 60034-1 (CEI 2-3 - NF 51.100 - VDE 0530 - BS 4999-5000)
- CEI EN 60204-1(CEI 44-5)
- EN 292-1, 292-2
- IEC 34.1, 34. 5

darüberhinaus erfüllen sie:

y cumplen:

1) die allgemeinen Sicherheitsanforderungen der Richtlinie für Niederspannung vom 19 Februar 1973 (73/23 CEE), in Italien mit dem Gesetz Nr. 791 vom 18 Oktober 1977 aufgenommen.

1) las prescripciones que sobre seguridad quedan definidas en la Norma sobre la Baja Tensión del 19 de Febrero del 1973 (73/23 CEE) introducida en Italia con la ley n° 791 del 18 de Octubre del 1977.

2) die Richtlinie 89/336CEE (Mod. der 93/68 CEE) bezüglich der Annäherung der Gesetzgebungen der Mitgliedsstaaten in Sachen elektromagnetischer Kompatibilität. Die Kompatibilitätsprüfung wurde mit Zugrundelegung folgender Normen ausgeführt:

2) la Norma 89/336 CEE (y sucesiva modificación 93/68 CEE) sobre la compatibilidad electromagnética. La prueba de compatibilidad se ha realizada en base a las siguientes normas:

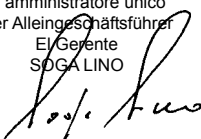
- | | |
|------------|-------------|
| EN 55011 | (CEI 110-6) |
| EN 50081-1 | (CEI 110-7) |
| EN 50082-1 | (CEI 110-8) |

Die Generatoren, Gegenstand dieser Erklärung, sind als Komponenten zu verstehen; daher ist ihre Inbetriebnahme verboten, bevor nicht die Maschinen, in die sie integriert werden, mit den Richtlinien bezüglich Sicherheit (CEE 89/392, Art. 4, Anlage 2, Buchstabe B; CEE 91/368, Art. 1) und elektrischer Kompatibilität für konform erklärt werden.

Los alternadores objeto de la presente declaración han de entenderse como componentes; por lo tanto se prohíbe su puesta en servicio antes de que las máquinas a las cuales se acoplarán no se declaren conformes a las normas sobre seguridad (CEE 89/392, art. 4, anexo 2, letra B; CEE 91/368, art. 1) y sobre compatibilidad electromagnética.

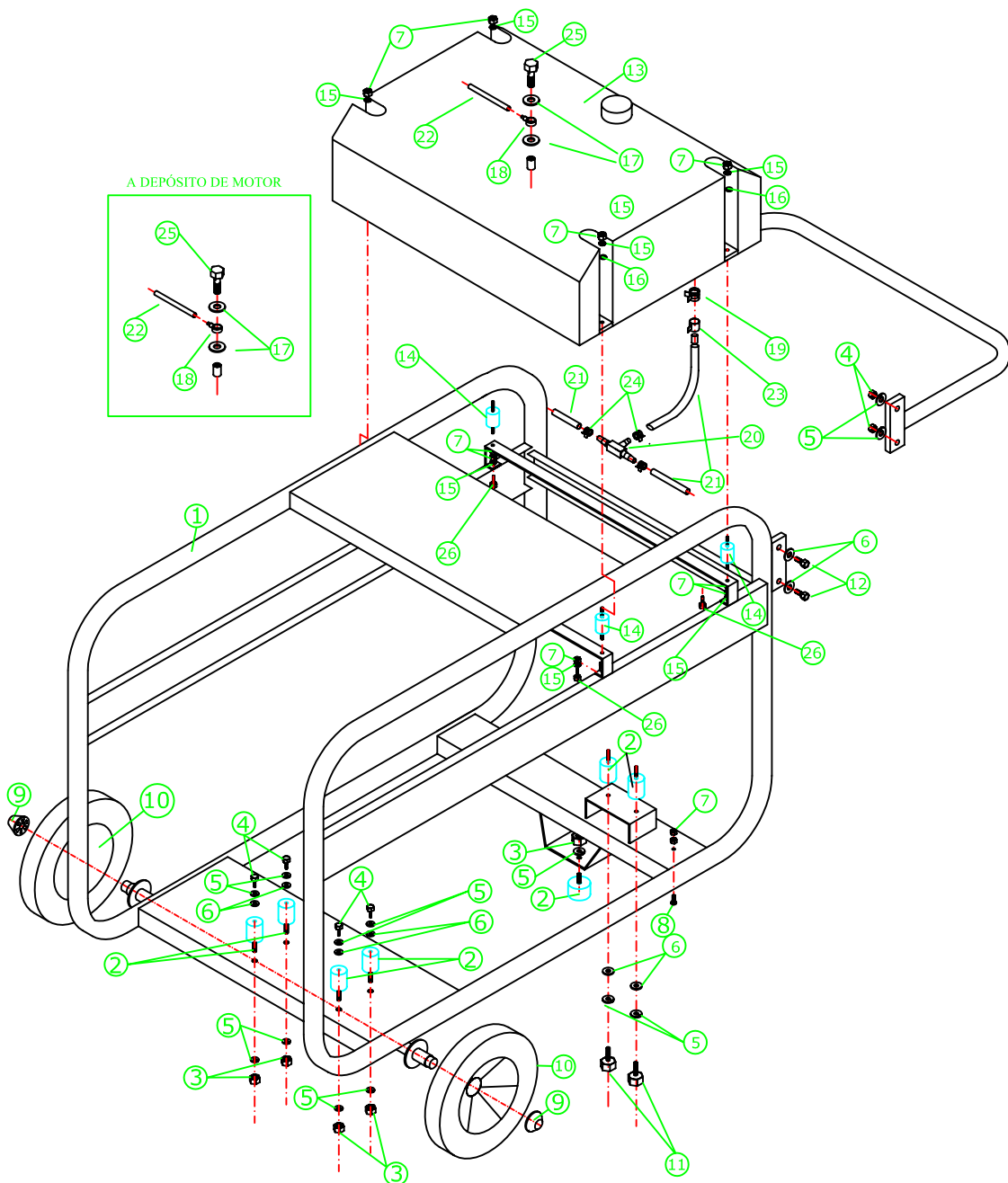
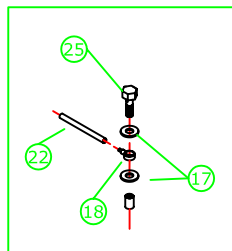
Cereda di Cornedo, li 02/01/97

SINCRO s.r.l.
 L' amministratore unico
 Der Alleingeschäftsführer
 El Gerente
 SOGA LINO



La SINCRO si riserva di apportare modifiche senza preavviso.
 The manufacturer reserves the right to modify features without notice.
 Les valeurs peuvent subir des variations sans préavis.
 Die Werte können ohne Vorankündigung Änderungen unterzogen werden.
 La Sincro se reserva el derecho de aportar las modificaciones sin preaviso.

A DEPÓSITO DE MOTOR



E 6000CD

| Nº DE PIEZA | REFERENCIA | DESIGNACION |
|-------------|-------------|-------------------------|
| 1 | E 6000 CD | CHASIS |
| 2 | 230060 | AMORTIGUADOR |
| 3 | 140010000 | TUERCA M10 |
| 4 | 171010030 | TORNILLO M10X30 |
| 5 | 130310010 | ARANDELA GROVER M10 |
| 6 | 130000010 | ARANDELA PLANA M10 |
| 7 | 140006000 | TUERCA M6 |
| 8 | 171006020 | TORNILLO M6X20 |
| 9 | 06516913200 | CLIP RUEDAS |
| 10 | 17001 | RUEDAS |
| 11 | 181010016 | TORNILLOS M10X16 |
| 12 | 171008020 | TORNILLO M8X20 |
| 13 | 20L | DEPOSITO DE COMBUSTIBLE |
| 14 | TH2530 | AMORTIGUADOR |
| 15 | 130300006 | ARANDELA GROVER M6 |
| 16 | 130400006 | ARANDELA CARROCERO M6 |
| 17 | 812 | ARANDELA COBRE |
| 18 | ET85 | ESFERICO |
| 19 | 1222 | ABRAZADERA |
| 20 | T6005 | EMPALME EN T |
| 21 | 301510 | TUBO GASOLINA |
| 22 | 30049 | TUBO RESPIRO |
| 23 | 16289 | LLAVE COMBUSTIBLE |
| 24 | 9910 | ABRAZADERA |
| 25 | 8100 | TORNILLO M8 HUECO |
| 26 | 171006020 | TORNILLO M6X20 |



| | | | | | | | | | |
|------------|-----|-------------|----------|--|---------------|--------|---------|-------|-------|
| PROYECTADO | FML | MODELO | E 6000CD | | Nº DE PLANO : | ESCALA | Nº REV. | FECHA | FIRMA |
| COMPROBADO | FML | DESCRIPCION | | | Nº DE HOJA DE | | | | |