

PARTS MANUAL

Model

EH18V

ENGINE

PUB-EP1254A
Rev. 02/00

HOW TO USE THIS MANUAL

All Robin Industrial Engines have a Production number to identify their specification. The Production number is a 15 digit, alphanumeric number. The first 11 digits are classified as the specification number of the engine. The last 4 digits are the manufacturing code. An example is shown below:

PRODUCTION NO.

EH180V00000	XXXX
(SPECIFICATION #)	(CODE)

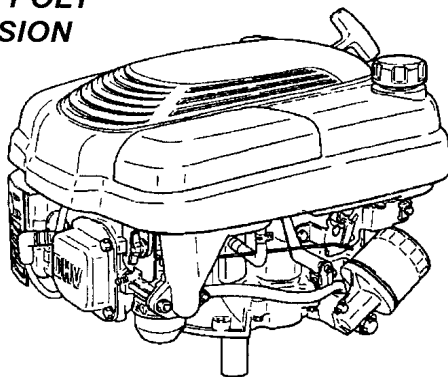
All 15 digit production numbers will be located on a label similar to the sample shown below. The label is located on the engine shroud.



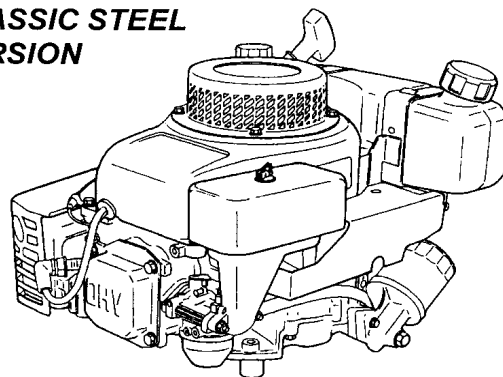
ENGINE VERSION IDENTIFICATION

There are two versions of the Robin EH18V engine - the Pro Poly version and the Classic Steel version. This manual covers both versions. Some part number descriptions will indicate the version the part is used on.

**PRO POLY
VERSION**



**CLASSIC STEEL
VERSION**



MANUAL LAYOUT

① SECTION 6 FUEL GROUP

② FIG. 600

③

④

⑤

⑥

⑦

⑧

⑨

REF.	PART NO.	DESCRIPTION	QTY.	REMARKS	FROM-TO	FIG.
10	267-60103-01	FUEL TANK CP	1	YD, YS TYPE, BLACK	2101 -	600
	267-60101-01	FUEL TANK CP	1	YELLOW	- 2100	600
27	073-20039-00	LABEL, WARNING	1	YD, YS TYPE		600
30	043-04300-15	FUEL TANK CAP CP	1			600
31	267-95201-03	LABEL, EMISSION	1	YD, YS TYPE		600
40	064-13600-10	FUEL FILTER	1			600
50	064-20021-01	FUEL STRAINER AY	1			600
-1	064-20002-20	FILTER	1			600
-2	064-20002-30	GASKET	1			600
-3	064-20019-10	CUP	1			600
-4	064-20003-20	NUT	1			600

1. SECTION NAME Parts are broadly classified according to their functions. Refer to the Group Index (table of contents) for respective section name.
2. FIG. No. The FIG. number indexes the reference and part numbers to the illustration. Figure numbers that vary only in the tens place (i.e.: 700 and 710) are in a group of the same section (i.e.: Electrical Device Group).
3. REF. No. The Reference number identifies the part illustration with the corresponding part number in the part list.
4. SUBASSEMBLY SUBASSEMBLY parts of part assembly are listed below the assembly part. The subassembly part reference number is indicated by the number led by "-" such as "-1", "-2".
5. PART NUMBER It is the number assigned for sales unit. Use the PART No. when making an order.
6. DESCRIPTION It is designation of the part.
7. QTY. Quantity of each part used for each product.
8. REMARKS This gives a distinctive feature and/or a supplementary comment for the type, the specification, and the part concerned. It also shows part number(s) interchangeable for the part.
9. FROM-TO This section shows the CODE No. to indicate the history of progress in which improved parts have been introduced in the product. The FROM-TO CODE No. helps to identify PART No. being employed in the product concerned. See the examples below:
 - The part is used in the product irrespective of CODE No.
 - 2101- The part is used in the products with CODE No. of 2101 and after this number.
 - 2100 The part is used in the products with CODE No. of 2100 and before this number.

GROUP INDEX

Group Name	Page
CRANKSHAFT / PISTON GROUP	6
CRANKCASE GROUP	8
INTAKE and EXHAUST GROUP	12
GOVERNOR GROUP	16
COOLING, STARTING GROUP	18
FUEL and LUBRICANT GROUP	22
ELECTRIC DEVICE GROUP	28
BRAKE GROUP	30
CYLINDER HEAD KIT	32

INDEX OF DESCRIPTION SYMBOLS			
SYMBOL	DESCRIPTION	SYMBOL	DESCRIPTION
AY	ASSEMBLY	P=	PITCH (in mm)
CP	COMPLETE	P.T.O. (PTO)	POWER TAKE OFF
EX	EXPORT (from Japan)	REF.	REFERENCE
FIG.	FIGURE	R.H. (RH)	RIGHT HAND SIDE
FR.	FRONT	RR.	REAR
"	INCH	STD.	STANDARD
INCL.	INCLUDE	SW	SWITCH
~L	LITER	T=	THICKNESS (in mm)
L=	LENGTH (in. mm)	UN	UNIT
L.H. (LH)	LEFT-HAND SIDE	U.S.	UNDER SIZE
MECH	MECHANICAL	~V	VOLTAGE
NO (NON)	NONE	~W	WATT
OPT.	OPTIONAL	W/	WITH
O.S.	OVER SIZE	W/O	WITHOUT

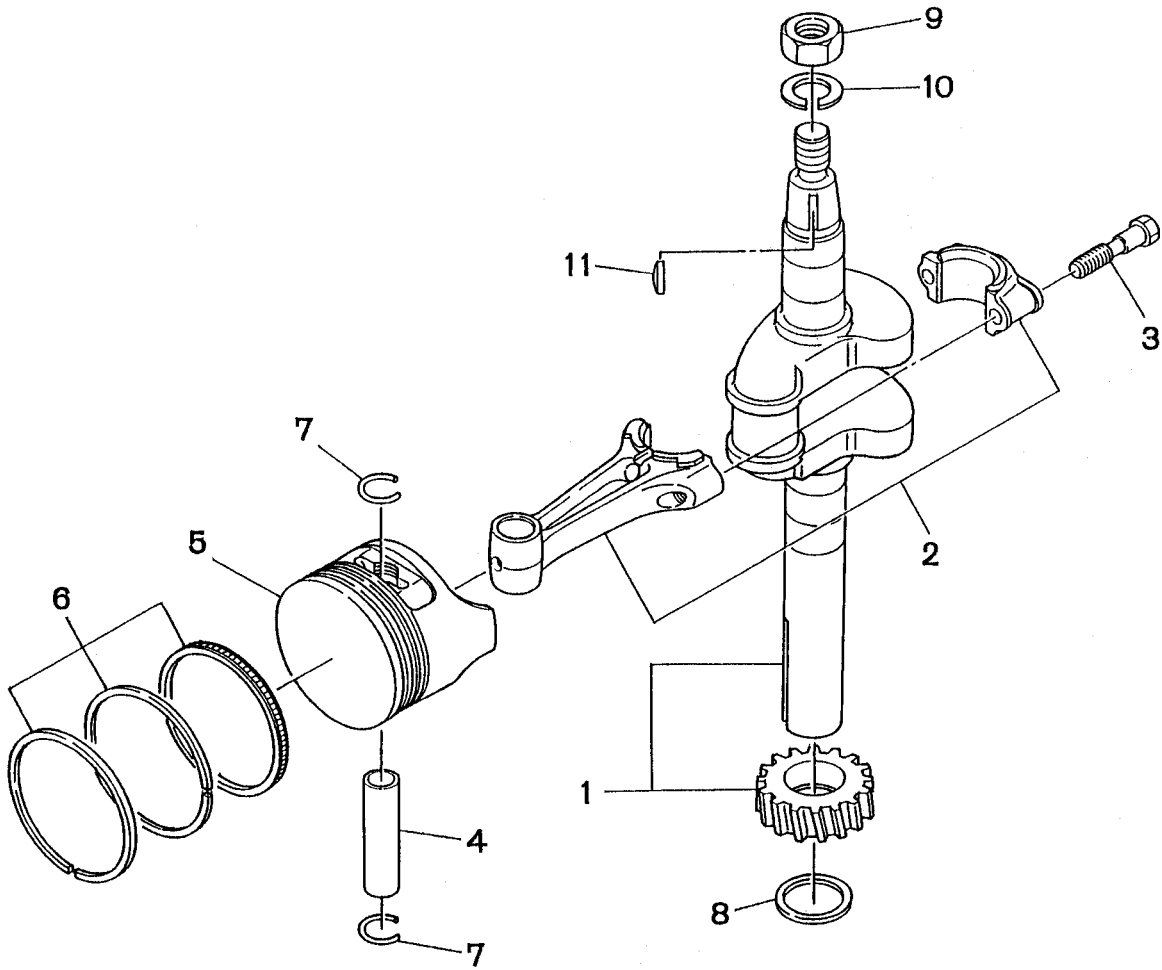
Robin America, Inc.

940 Lively Blvd. • Wood Dale, IL 60191 • Phone: 630-350-8200 • Fax: 630-350-8212
 e-mail: sales@robinamerica.com • www.robinamerica.com

© Copyright 2000 Robin America, Inc.

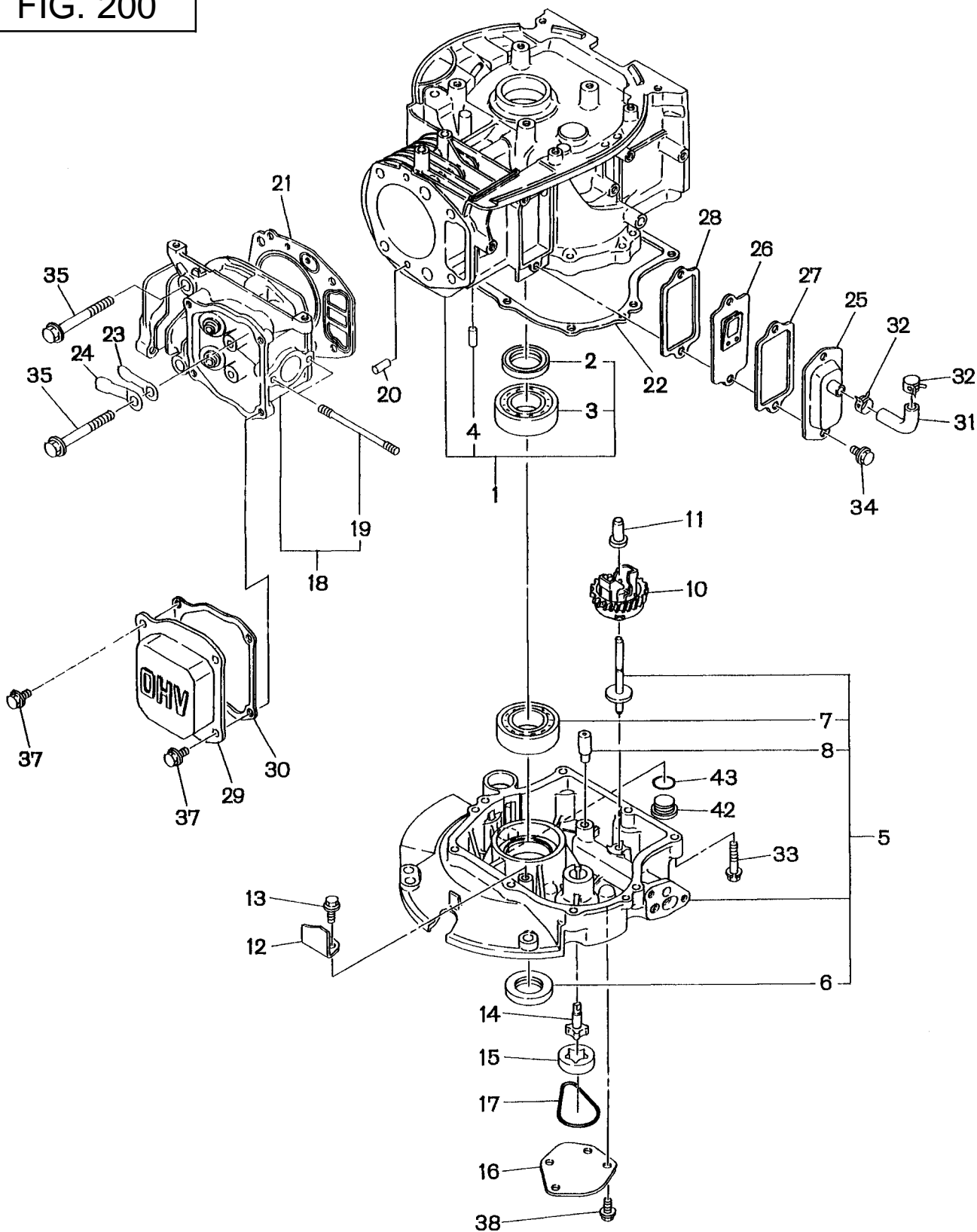
SECTION 1 CRANKSHAFT GROUP

FIG. 100



SECTION 2A CRANKCASE GROUP - NEW STYLE

FIG. 200

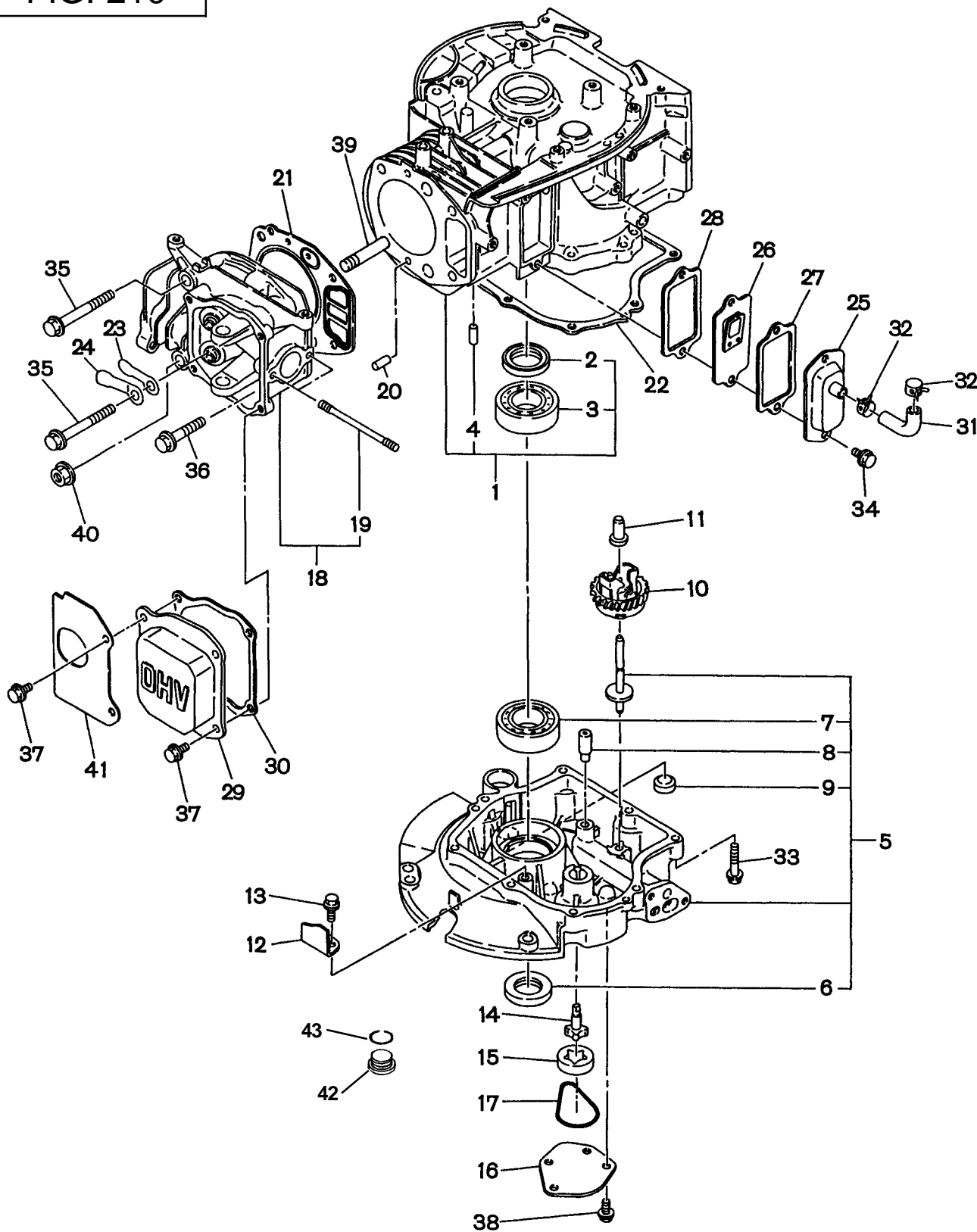


SECTION 2A CRANKCASE GROUP - NEW STYLE

REF.	PART NO.	DESCRIPTION	QTY.	REMARKS	FROM-TO	FIG.
1	261-10101-21	CRANKCASE	1	Includes items 2 thru 4		200
2	044-02501-50	OIL SEAL	1			200
3	060-02500-20	BALL BEARING	1			200
4	X31-00600-20	DOWEL PIN	2			200
5	261-11002-01	MAINBEARING COVER	1	Includes items 6 thru 8		200
6	044-02500-70	OIL SEAL	1			200
7	060-02500-10	BALL BEARING	1			200
8	261-65001-03	OIL JET	1			200
10	261-45401-A1	GOVERNOR GEAR	1			200
11	205-41901-03	GOVERNOR SLEEVE	1			200
12	261-65101-03	OIL SHELTER PLATE	1			200
13	011-00600-20	FLANGE BOLT	1			200
14	261-63901-11	OIL PUMP, INNER	1			200
15	261-63902-03	OIL PUMP, OUTER	1			200
16	261-65302-03	OIL PUMP COVER	1			200
17	261-65401-13	O RING	1			200
18	261-13101-01	CYLINDER HEAD	1	Includes item 19		200
19	010-50601-40	STUD	2			200
20	X31-00600-20	DOWEL PIN	2			200
21	261-15001-13	GASKET, head	1			200
22	261-16002-03	GASKET, bearing cover	1			200
23	261-17001-03	LEAF VALVE	1			200
24	261-17011-03	RETAINER PLATE	1			200
25	261-14301-01	TAPPET COVER	1			200
26	261-16101-01	BREATHER PLATE	1			200
27	261-16006-03	GASKET, tappet cover	1			200
28	261-16007-03	GASKET, breather plate	1			200
29	261-15001-01	ROCKER COVER	1	yellow zinc		200
29	253-15501-03	ROCKER COVER	1	silver zinc		200
30	253-16005-03	GASKET, rocker cover	1			200
31	261-10801-A3	RUBBER PIPE	1	Ø 8 X 11mm		200
32	X56-11200-40	HOSE CLAMP	2			200
33	013-00600-40	BOLT and WASHER AY	8			200
34	01-00600-20	FLANGE BOLT	2			200
35	011-00801-00	FLANGE BOLT	4			200
37	011-00600-20	FLANGE BOLT	4			200
38	011-00600-20	FLANGE BOLT	4			200
42	261-65403-03	O RING	1			200
43	261-65702-01	OIL DRAIN PLUG	1			200

SECTION 2B CRANKCASE GROUP - OLD STYLE

FIG. 210



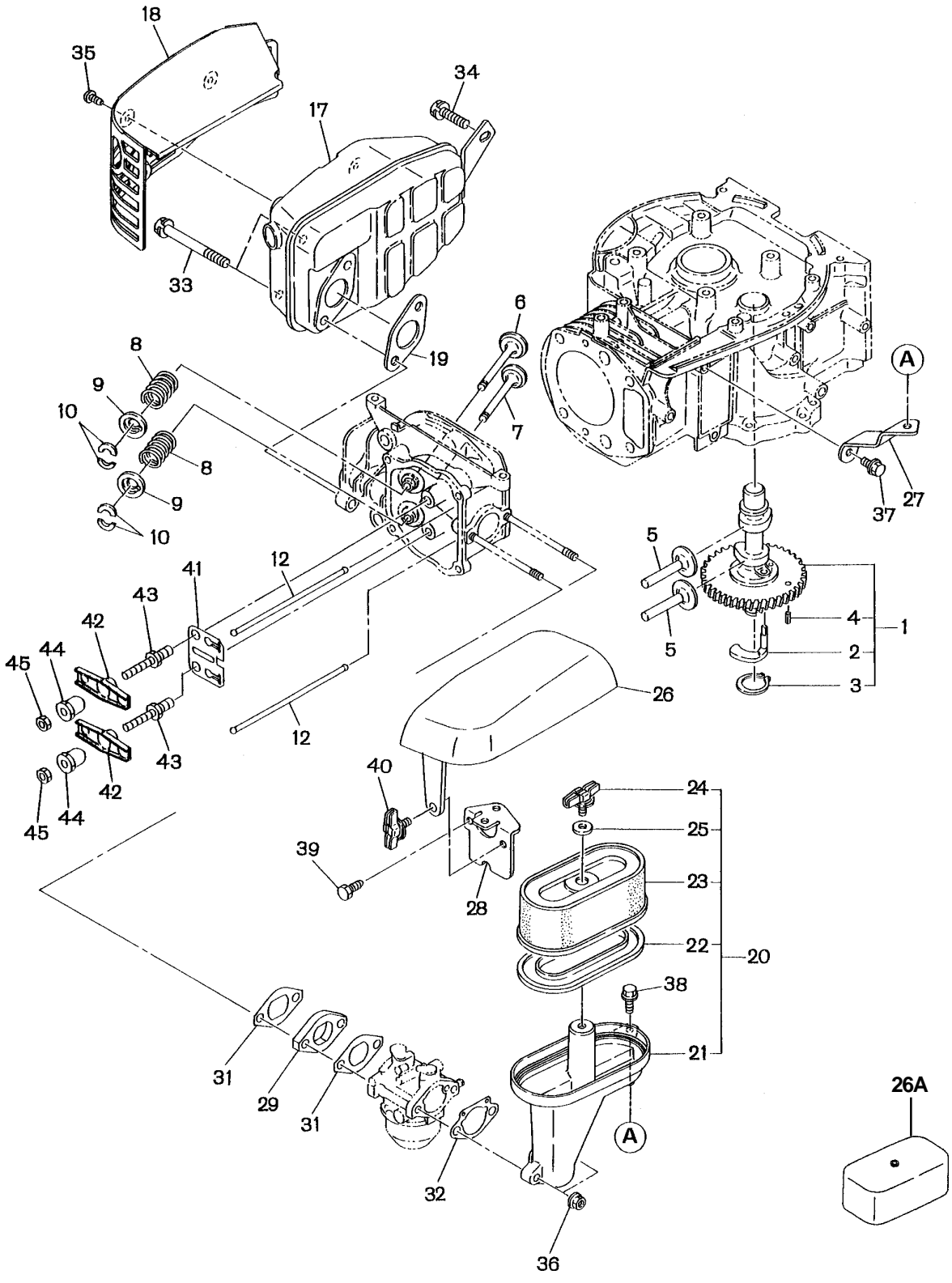
SECTION 2B CRANKCASE GROUP - OLD STYLE

REF.	PART NO.	DESCRIPTION	QTY.	REMARKS	FROM-TO	FIG.
*1	261-10101-11	CRANKCASE	1	Includes items 2 thru 4 , 39		210
2	044-02501-50	OIL SEAL	1			210
3	060-02500-10	BALL BEARING	1			210
4	031-00600-20	DOWEL PIN	2			210
*5	261-11002-01	MAINBEARING COVER	1	Includes items 6 thru 8		210
6	044-02500-70	OIL SEAL	1			210
7	060-02500-10	BALL BEARING	1			210
8	261-65001-03	OIL JET	1			210
9	165-16201-03	OIL PLUG	1			210
10	226-45201-01	GOVERNOR GEAR	1			210
11	205-41901-03	GOVERNOR SLEEVE	1			210
12	261-65101-03	OIL SHELTER PLATE	1			210
13	011-00600-20	FLANGE BOLT	1			210
14	261-63901-01	OIL PUMP, INNER	1			210
15	228-63902-03	OIL PUMP, OUTER	1			210
16	261-65302-03	OIL PUMP COVER	1			210
17	261-65401-03	O RING	1			210
*18	261-13001-01	CYLINDER HEAD	1	Obsolete, see Figure 900		210
19	010-50601-40	STUD	2			210
20	031-00600-20	DOWEL PIN	2			210
21	261-15001-13	GASKET, head	1			210
22	227-16002-13	GASKET, bearing cover	1			210
23	261-17001-03	LEAF VALVE	1			210
24	261-17011-03	RETAINER PLATE	1			210
25	261-14301-01	TAPPET COVER	1			210
26	261-16101-01	BREATHER PLATE	1			210
27	227-16006-03	GASKET, tappet cover	1			210
28	227-16007-03	GASKET, breather plate	1			210
29	261-15501-01	ROCKER COVER	1	yellow zinc		210
29	253-15501-03	ROCKER COVER	1	silver zinc		210
30	253-16005-03	GASKET, rocker cover	1			210
31	261-10801-03	RUBBER PIPE	1	Ø 8 X 11mm		210
32	056-11200-40	HOSE CLAMP	2			210
33	013-0060-40	BOLT and WASHER AY	8			210
34	011-00600-20	FLANGE BOLT	2			210
35	011-00801-00	FLANGE BOLT	2			210
36	011-00800-10	FLANGE BOLT	1			210
37	011-00600-20	FLANGE BOLT	4			210
38	011-00600-20	FLANGE BOLT	4			210
39	010-50802-71	STUD	1			210
40	002-38080-00	FLANGE NUT	1			210
41	261-56001-03	GUIDE PLATE	1			210
42	261-65702-01	OIL DRAIN PLUG	1			210
43	261-65403-03	O RING	1			210
*	261-99001-07	GASKET SET	1	Includes items		210

SECTION 3 INTAKE and EXHAUST GROUP - NEW STYLE

FIG. 300

Stamped Style Valve Rocker



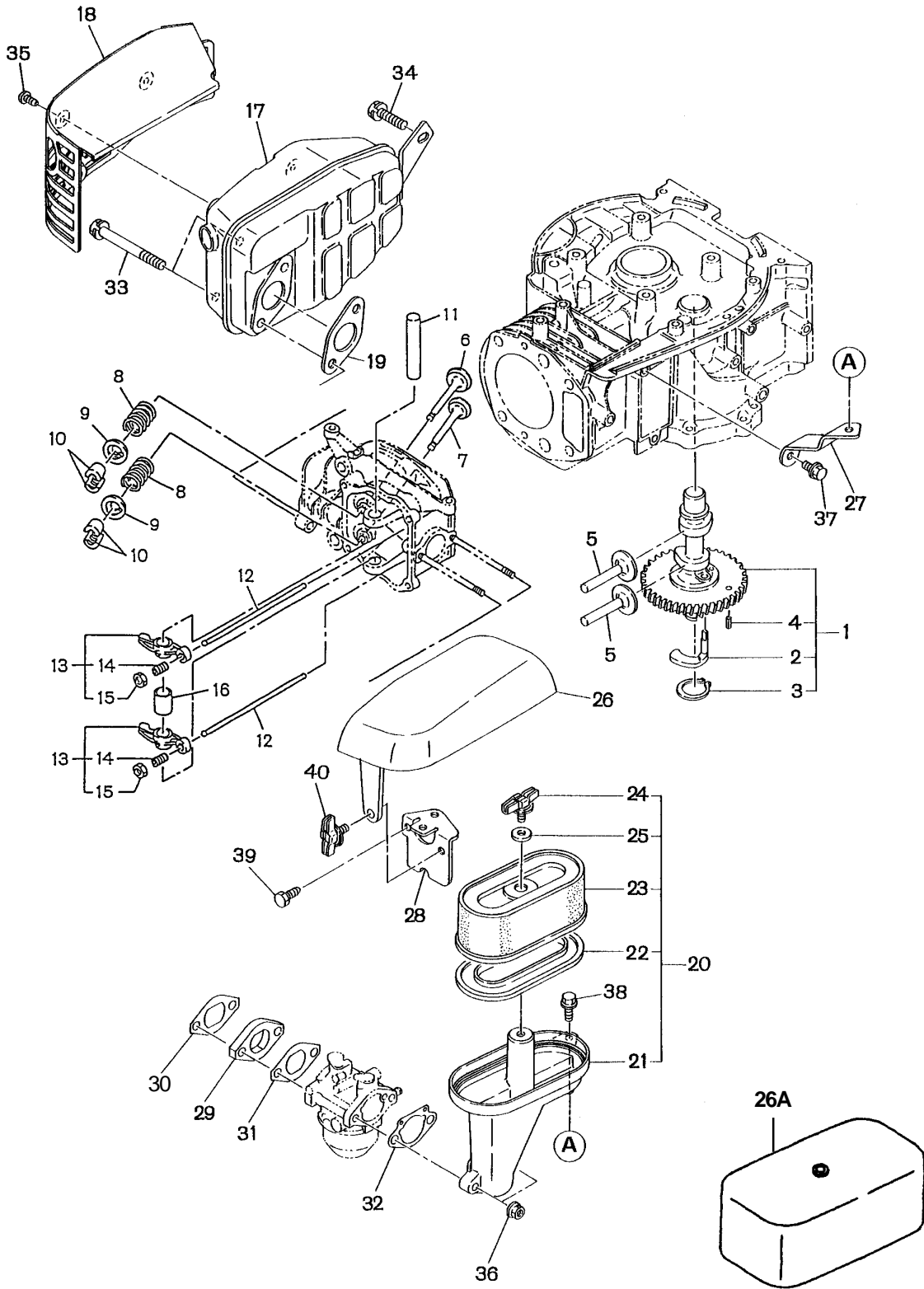
SECTION 3 INTAKE and EXHAUST GROUP - NEW STYLE

REF.	PART NO.	DESCRIPTION	QTY.	REMARKS	FROM-TO	FIG.
1	261-31701-01	CAMSHAFT, compl.	1	Includes items 2 thru 4		300
2	227-36401-03	RELEASE LEVER	1			300
3	003-15220-00	SNAP RING	1			300
4	005-19041-00	SPRING PIN	1			300
5	239-33301-03	TAPPET	2			300
6	261-33401-03	INTAKE VALVE	1			300
7	261-33501-13	EXHAUST VALVE	1			300
8	237-33601-03	VALVE SPRING	2			300
9	132-09KA0-40	RETAINER	2			300
10	132-10KA0-31	COLLET	4			300
12	261-35302-03	PUSH ROD, compl.	2	151mm		300
16	237-36120-13	SPACER	1			300
17	261-30101-01	MUFFLER, compl.	1			300
18	261-34203-11	MUFFLER COVER, compl.	1	yellow zinc		300
18	261-35201-01	MUFFLER COVER, compl.	1	black		300
19	214-35201-11	GASKET, exhaust	1			300
20	261-32601-00	AIR CLEANER AY	1	Includes items 21 thru 25		300
21	261-32650-08	CLEANER CASE	1			300
22	261-32655-08	PACKING	1			300
23	261-32601-07	ELEMENT SET	1			300
24	261-32660-08	WING BOLT	1			300
25	227-32690-28	GROMMET	1			300
26	261-35001-01	AIR CLEANER	1	Pro Poly		300
26A	261-35101-01	AIR CLEANER	1	Classic Steel		300
27	261-38001-01	BRACKET, air cleaner	1			300
28	261-38002-01	BRACKET, air cleaner cover	1			300
29	227-32901-13	INSULATOR	1			300
31	227-35904-03	GASKET 2, insulator	2			300
32	261-35901-13	GASKET, inner vent	1			300
33	013-00800-30	BOLT and WASHER AY	2			300
34	001-10081-60	BOLT and WASHER AY	1			300
35	015-20500-10	TAPPING SCREW	3			300
37	011-00600-20	FLANGE BOLT	1			300
38	011-00600-30	FLANGE BOLT	1			300
40	261-32653-01	WING BOLT	1	Pro Poly		300
41	261-36501-A3	GUIDE PALATE	1			300
42	261-36001-A3	ROCKER ARM	2			300
43	261-35801-13	BOLT, PIVOT	2			300
44	261-35701-A3	PIVOT	2			300
45	017-00601-10	NUT	2			300

SECTION 3 INTAKE and EXHAUST GROUP - OLD STYLE

FIG. 310

Forged Style Valve Rocker

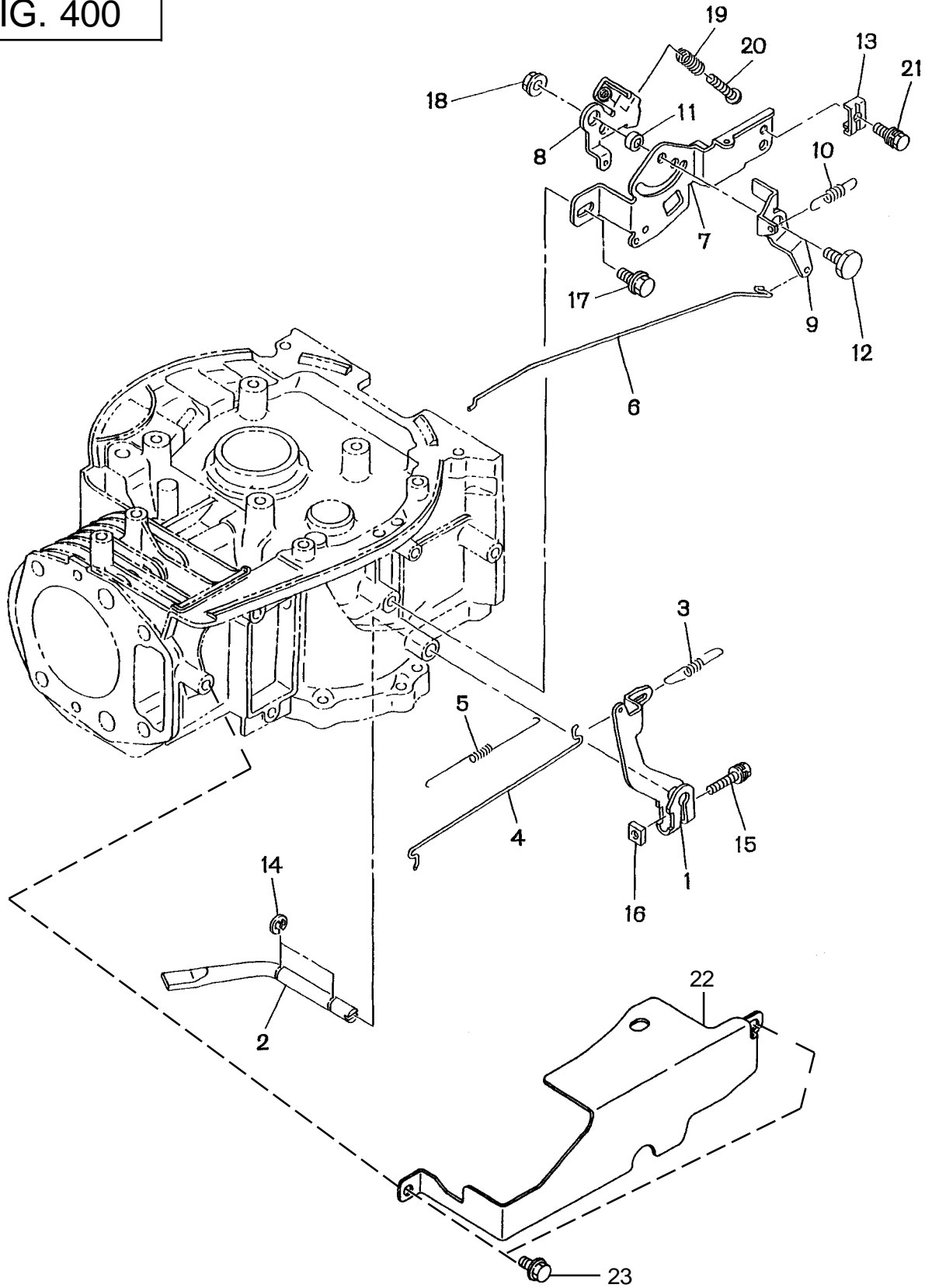


SECTION 3 INTAKE and EXHAUST GROUP - OLD STYLE

REF.	PART NO.	DESCRIPTION	QTY.	REMARKS	FROM-TO	FIG.
1	261-31701-01	CAMSHAFT, compl.	1	Includes items 2 thru 4		310
2	227-36401-03	RELEASE LEVER	1			310
3	003-15220-00	SNAP RING	1			310
4	005-19041-00	SPRING PIN	1			310
5	239-33301-03	TAPPET	2			310
6	261-33401-03	INTAKE VALVE	1			310
7	261-33501-13	EXHAUST VALVE	1			310
8	237-33601-03	VALVE SPRING	2			310
9	132-09KA0-40	RETAINER	2			310
10	132-10KA0-31	COLLET	4			310
11	237-35001-03	ROCKER SHAFT	1			310
12	261-35301-01	PUSH ROD, compl.	2	137mm		310
13	253-36101-00	ROCKER ARM AY	2	Includes items 14 and 15		310
14	014-90800-21	ADJUSTING SCREW	2			310
15	017-00800-90	NUT	2			310
16	237-36120-13	SPACER	1			310
17	261-30101-01	MUFFLER, compl.	1			310
18	261-34203-01	MUFFLER COVER, compl.	1	yellow zinc		310
18	261-34201-01	MUFFLER COVER, compl.	1	black		310
19	214-35201-11	GASKET, exhaust	1			310
20	261-32601-00	AIR CLEANER AY	1	Includes items 21 thru 25		310
21	261-32650-08	CLEANER CASE	1			310
22	261-32655-08	PACKING	1			310
23	261-32601-07	ELEMENT SET	1			310
24	261-32660-08	WING BOLT	1			310
25	227-32690-28	GROMMET	1			310
26	261-35001-01	AIR CLEANER	1	Pro Poly		310
26A	261-35101-01	AIR CLEANER	1	Classic Steel		310
27	261-38001-01	BRACKET, air cleaner	1			310
28	261-38002-01	BRACKET, air cleaner cover	1			310
29	227-32901-13	INSULATOR	1			310
30	227-35901-03	GASKET, insulator	1			310
31	227-35904-03	GASKET 2, insulator	1			310
32	261-35901-03	GASKET, inner vent	1			310
33	013-00800-30	BOLT and WASHER AY	2			310
34	001-10081-60	BOLT and WASHER AY	1			310
35	015-20500-10	TAPPING SCREW	3			310
36	002-38060-00	FLANGE NUT	2			310
37	011-00600-20	FLANGE BOLT	1			310
38	011-00600-30	FLANGE BOLT	1			310
39	015-20600-10	TAPPING BOLT	1			310
40	246-32653-08	WING BOLT	1	Pro Poly		310

SECTION 4 GOVERNOR GROUP

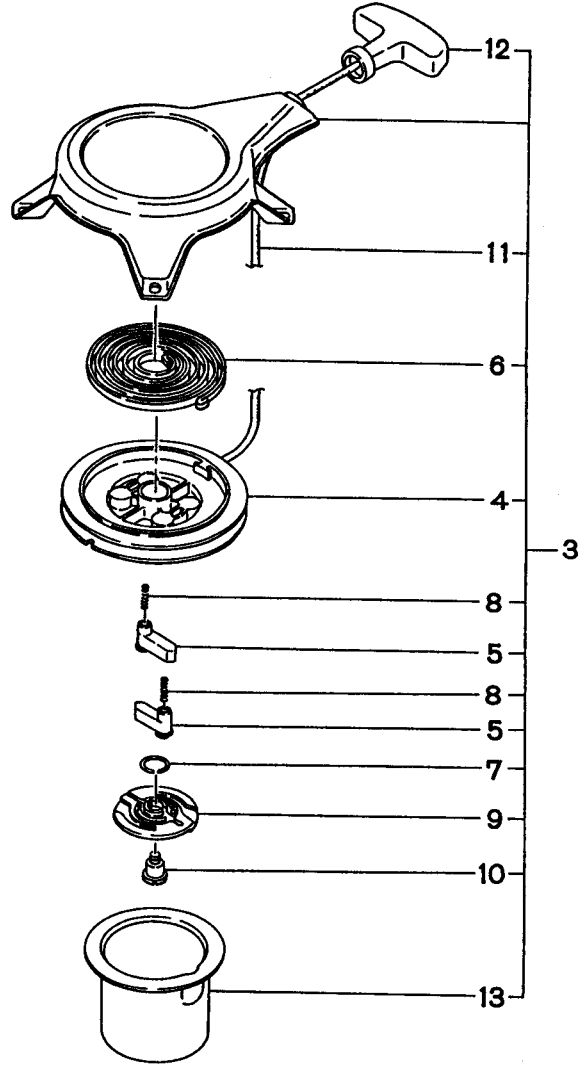
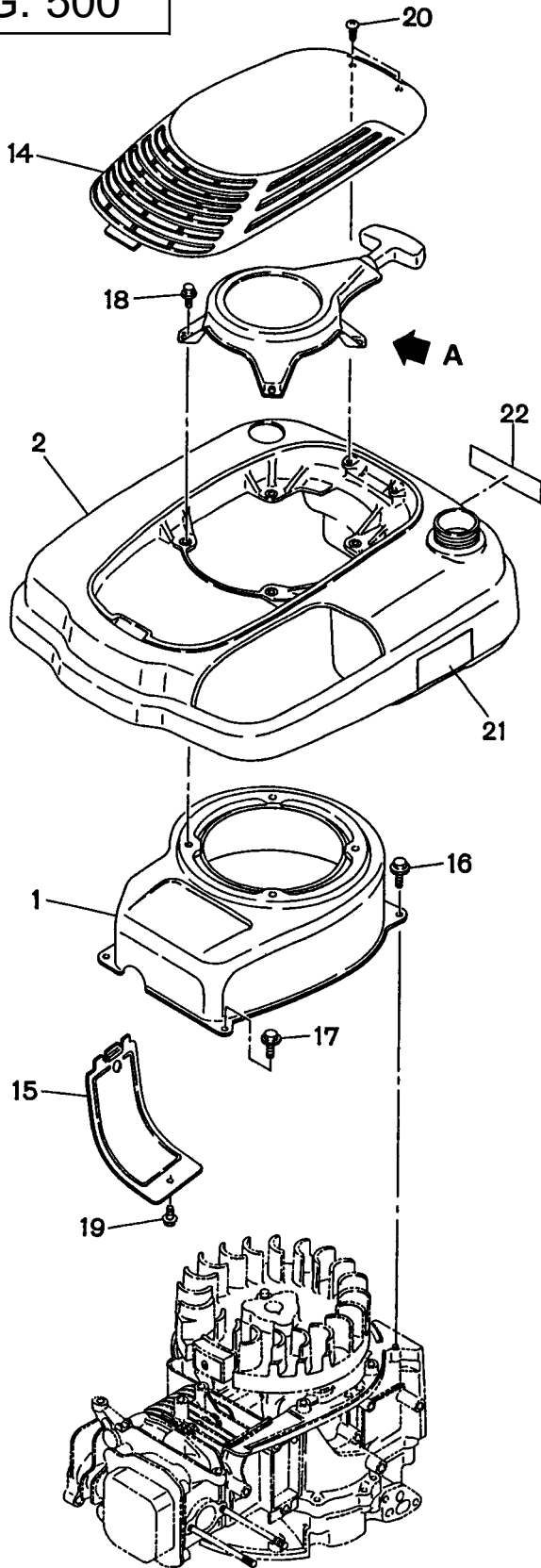
FIG. 400



SECTION 5 COOLING and STARTING GROUP

FIG. 500

PRO POLY VERSION



DETAIL "A"

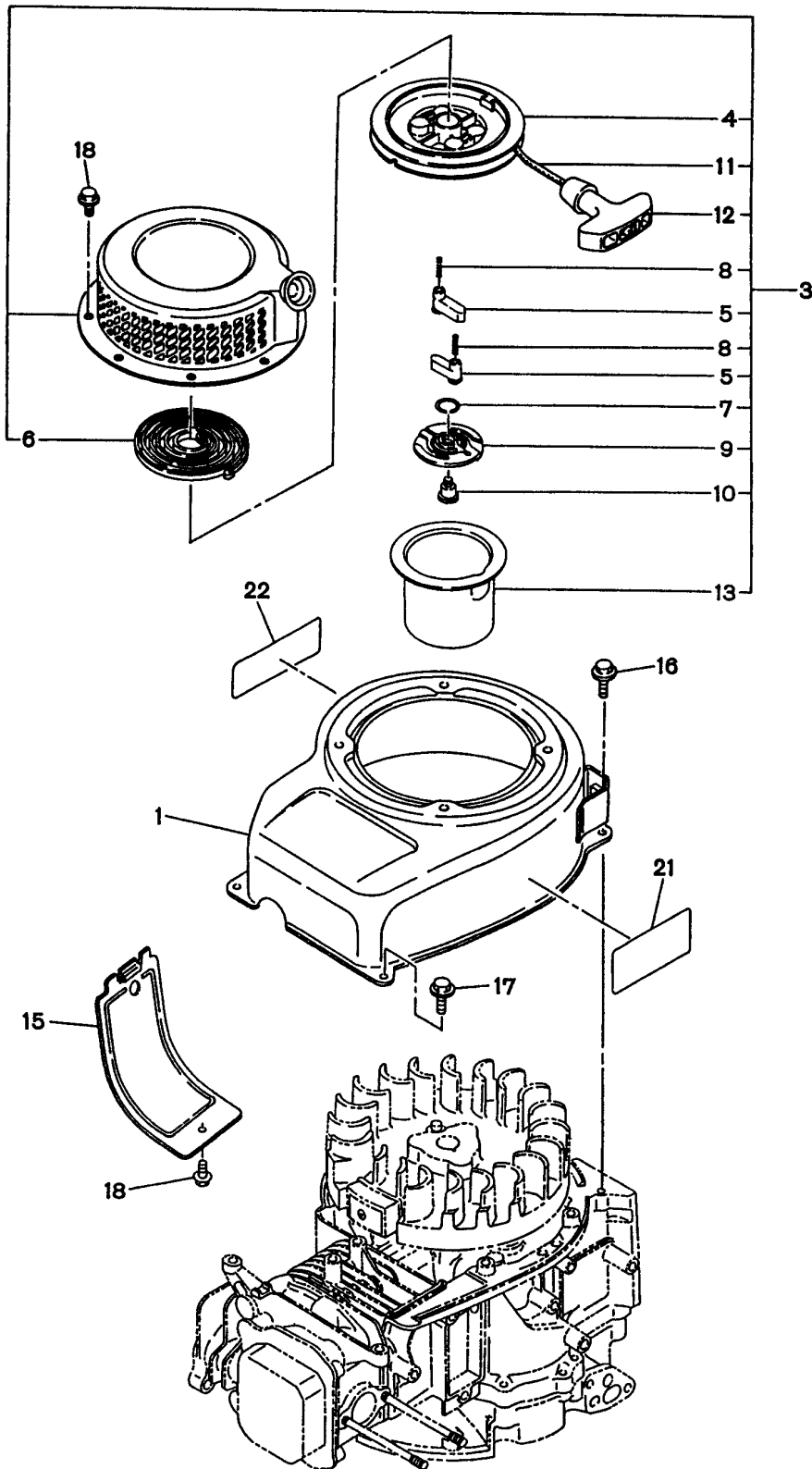
SECTION 5 COOLING and STARTING GROUP

REF.	PART NO.	DESCRIPTION	QTY.	REMARKS	FROM-TO	FIG.
1	261-51201-01	BLOWER HOUSING	1			500
2	261-55001-01	ENGINE SHROUD / TANK	1			500
3	261-50211-00	RECOIL STARTER AY	1	Includes items 4 thru 13, ERS		500
4	226-50121-08	REEL	1			500
5	161-50125-08	RATCHET	2			500
6	261-50115-08	SPIRAL SPRING	1			500
7	227-50131-08	FRICION SPRING	1			500
8	227-50135-08	RETURN SPRING	2			500
9	161-50150-08	RATCHET GUIDE	1			500
10	227-50152-08	SET SCREW	1			500
11	261-50110-08	STARTER ROPE	1	extended rope start (ERS)		500
12	261-50100-08	STARTER KNOB	1			500
13	261-50146-08	STARTER PULLY	1			500
14	261-55101-01	TOP COVER	1			500
15	227-52601-03	CYLINDER BAFFLE	1			500
16	011-00600-20	FLANGE BOLT	2			500
17	011-00600-30	FLANGE BOLT	2			500
18	011-00600-20	FLANGE BOLT	5			500
19	011-00600-10	FLANGE BOLT	1			500
20	044-71051-60	TAPPING SCREW	2			500
21	073-20039-00	LABEL, warning	1			500
22	261-95201-03	LABEL, emission control	1			500
23	261-91703-03	LABEL, trademark	1			500

SECTION 5 COOLING and STARTING GROUP

FIG. 510

CLASSIC STEEL VERSION

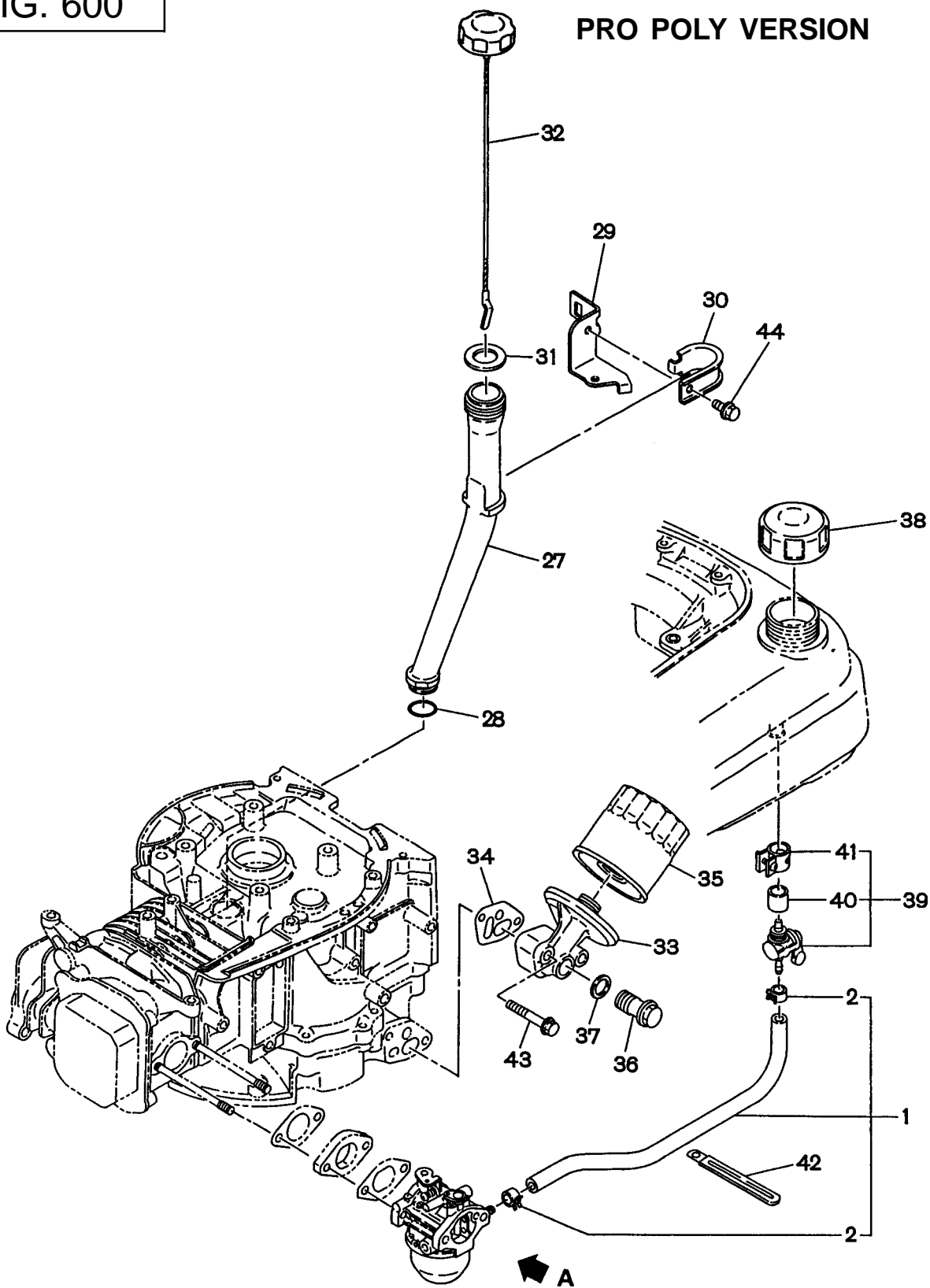


SECTION 5 COOLING and STARTING GROUP

REF.	PART NO.	DESCRIPTION	QTY.	REMARKS	FROM-TO	FIG.
1	261-51214-11	BLOWER HOUSING	1	black		510
1	261-51212-01	BLOWER HOUSING	1	green		510
3	261-50401-00	RECOIL STARTER AY	1	Includes items 4 thru 13, ERS		510
3	261-50402-01	RECOIL STARTER AY	1	Includes items 4 thru 13, STD		510
4	252-50121-00	REEL	1			510
5	161-5025-08	RATCHET	2			510
6	261-50115-08	SPIRAL SPRING	1			510
7	227-50131-08	FRICTION SPRING	1			510
8	227-50135-08	RETURN SPRING	2			510
9	161-50150-08	RATCHET GUIDE	1			510
10	227-50152-08	SET SCREW	1			510
11	261-50110-08	STARTER ROPE	1	extended rope start (ERS)		510
11	261-50111-08	STARTER ROPE	1	STD		510
12	261-50100-08	STARTER KNOB	1			510
13	261-50146-08	STARTER PULLY	1			510
15	227-52601-03	CYLINDER BAFFLE	1			510
16	011-00600-20	FLANGE BOLT	2			510
17	011-00600-30	FLANGE BOLT	2			510
18	011-00600-10	FLANGE BOLT	5			510
21	073-20039-00	LABEL, warning	1			510
22	261-95201-03	LABEL, emission control	1			510
23	261-91702-03	LABEL, trademark	1			510

SECTION 6 FUEL GROUP

FIG. 600



SECTION 6 FUEL GROUP

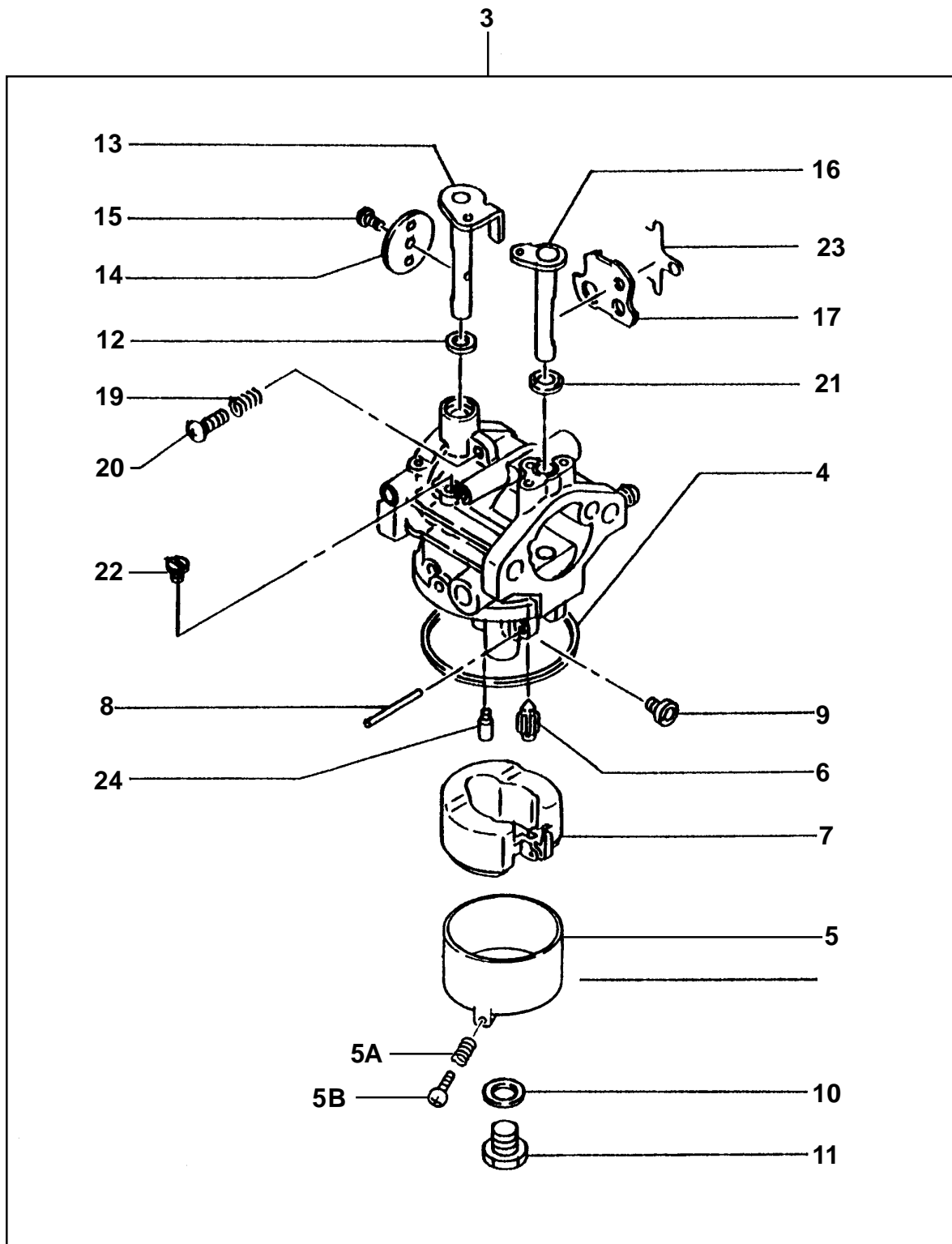
REF.	PART NO.	DESCRIPTION	QTY.	REMARKS	FROM-TO	FIG.
1	261-62601-A1	FUEL PIPE	1	Includes items 1 and 2		600
*1	X85-10416-60	RUBBER PIPE	1	Item 2 not included		600
2	X56-11100-30	HOSE CLAMP	2			600
27	261-63701-03	OIL FILTER	1			600
28	024-01900-00	O RING	1			600
29	261-65301-01	BRACKET, oil filler	1			600
30	261-65201-03	CLAMP, oil filler	1			600
31	021-31800-10	GASKET	1			600
32	261-63601-11	OIL GAUGE, compl.	1			600
33	261-65501-03	OIL FILTER BRACKET	1			600
34	261-65601-13	GASKET, oil filter bracket	1			600
35	261-65902-A0	OIL FILTER AY	1			600
36	261-65701-01	OIL DRAIN PLUG	1			600
37	021-11400-20	GASKET	1			600
38	043-04401-30	FUEL TANK CAP, compl.	1			600
39	064-70004-00	FUEL COCK AY	1	Includes items 40 and 41		600
40	064-20044-90	JOINT PIPE	1			600
41	064-20044-61	HOSE BAND AY	1			600
42	056-60002-50	CLAMP	1			600
43	011-00601-70	FLANGE BOLT	2			600
44	011-00600-20	FLANGE BOLT	1			600

SECTION 6 FUEL GROUP

REF.	PART NO.	DESCRIPTION	QTY.	REMARKS	FROM-TO	FIG.
1	261-62601-A1	FUEL PIPE	1	Includes item 2		610
*1	X85-10416-60	RUBBER PIPE	1	Item 2 not included		610
2	X056-11100-30	HOSE CLAMP	2			610
27	261-63701-03	OIL FILLER	1			610
28	024-01900-00	O RING	1			610
29	261-65301-01	BRACKET, oil filler	1			610
30	261-65201-03	CLAMP, oil filler	1			610
31	021-31800-10	GASKET	1			610
32	261-63601-11	OIL GAUGE	1			610
33	261-65501-03	OIL FILTER BRACKET	1			610
34	261-65601-13	GASKET, oil filter bracket	1			610
35	261-65902-A0	OIL FILTER AY	1			610
36	261-65701-01	OIL DRAIN PLUG	1			610
37	021-11400-20	GASKET	1			610
42	056-60002-50	CLAMP	1			610
43	011-00601-70	FLANGE BOLT	2			610
44	011-00600-20	FLANGE BOLT	5			610
50	226-61401-01	FUEL TANK, compl.	1	Includes item 51		610
51	043-04401-30	FUEL TANK CAP	1			610
52	064-2044-02	FUEL STRAINER AY	1	Includes items 53 thru 55		610
53	064-20044-20	FILTER	1			610
54	064-20044-90	JOINT PIPE	1			610
55	064-20044-60	HOSE BAND AY	1			610
56	064-14200-20	FUEL FILTER	1			610
57	261-62001-01	FUEL TANK BRACKET, compl.	1			610
58	261-65801-01	BRACKET, fuel tank	1			610
59	226-65011-01	TANK BAND 1	1			610
60	226-65012-01	TANK BAND 2	1			610
61	226-65105-03	BAND 1	1			610
62	226-65106-03	BAND 2	1			610

SECTION 6 FUEL GROUP - CARBURETOR

FIG. 620

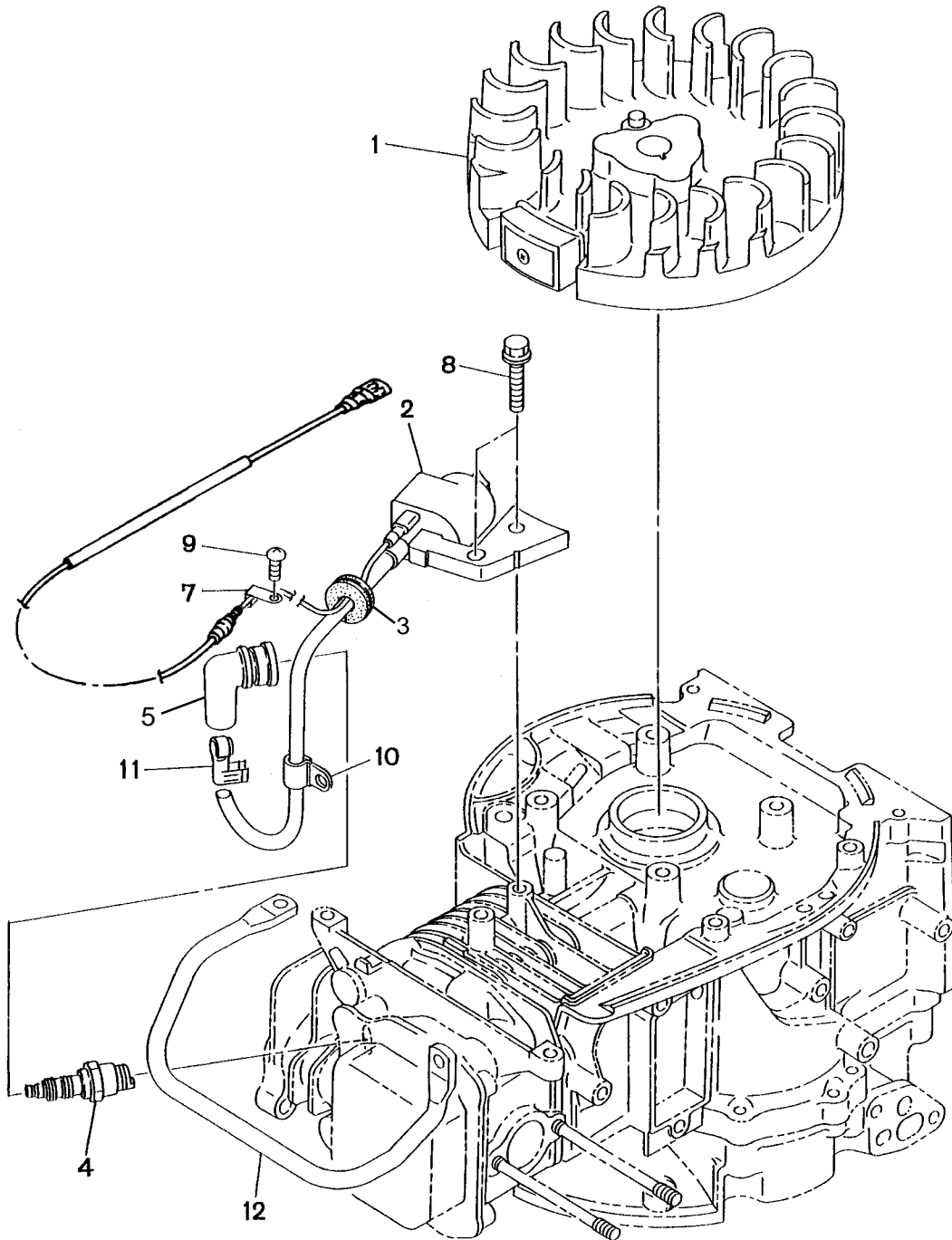


SECTION 6 FUEL GROUP - CARBURETOR

REF.	PART NO.	DESCRIPTION	QTY.	REMARKS	FROM-TO	FIG.
3	261-62301-20	CARBURETOR AY	1	Includes items below		620
4	261-62545-08	GASKET, float chamber	1			620
5	261-62362-08	FLOAT CHAMBER, compl.	1	Includes 5A and 5B		620
5A	215-62446-08	SPRING, drain screw	1			620
5B	215-62353-08	SCREW, drain	1			620
6	226-62501-08	VALVE, float	1			620
7	261-62505-08	FLOAT	1			620
8	226-62515-08	PIN, float	1			620
9	261-62402-08	MAIN JET	1			620
10	215-62430-08	GASKET, chamber set	1			620
11	261-62360-08	PLUG, chamber set	1			620
12	226-62580-08	FILTER	1			620
13	261-62531-08	THROTTLE SHAFT AY	1			620
14	261-62535-08	THROTTLE VALVE	1			620
15	215-62351-08	SCREW	1			620
16	261-62520-08	CHOKE SHAFT AY	1			620
17	261-62525-08	CHOKE VALVE	1			620
19	261-62445-08	SPRING	1			620
20	261-62353-08	ADJUST SCREW	1			620
21	261-62354-08	CAP	1			620
22	261-62359-08	PLUG, slow jet	1			620
23	261-62356-08	CLIP	1			620
24	261-62357-08	PLUG, slow passage	1			620

SECTION 7 ELECTRIC DEVICE GROUP

FIG. 700

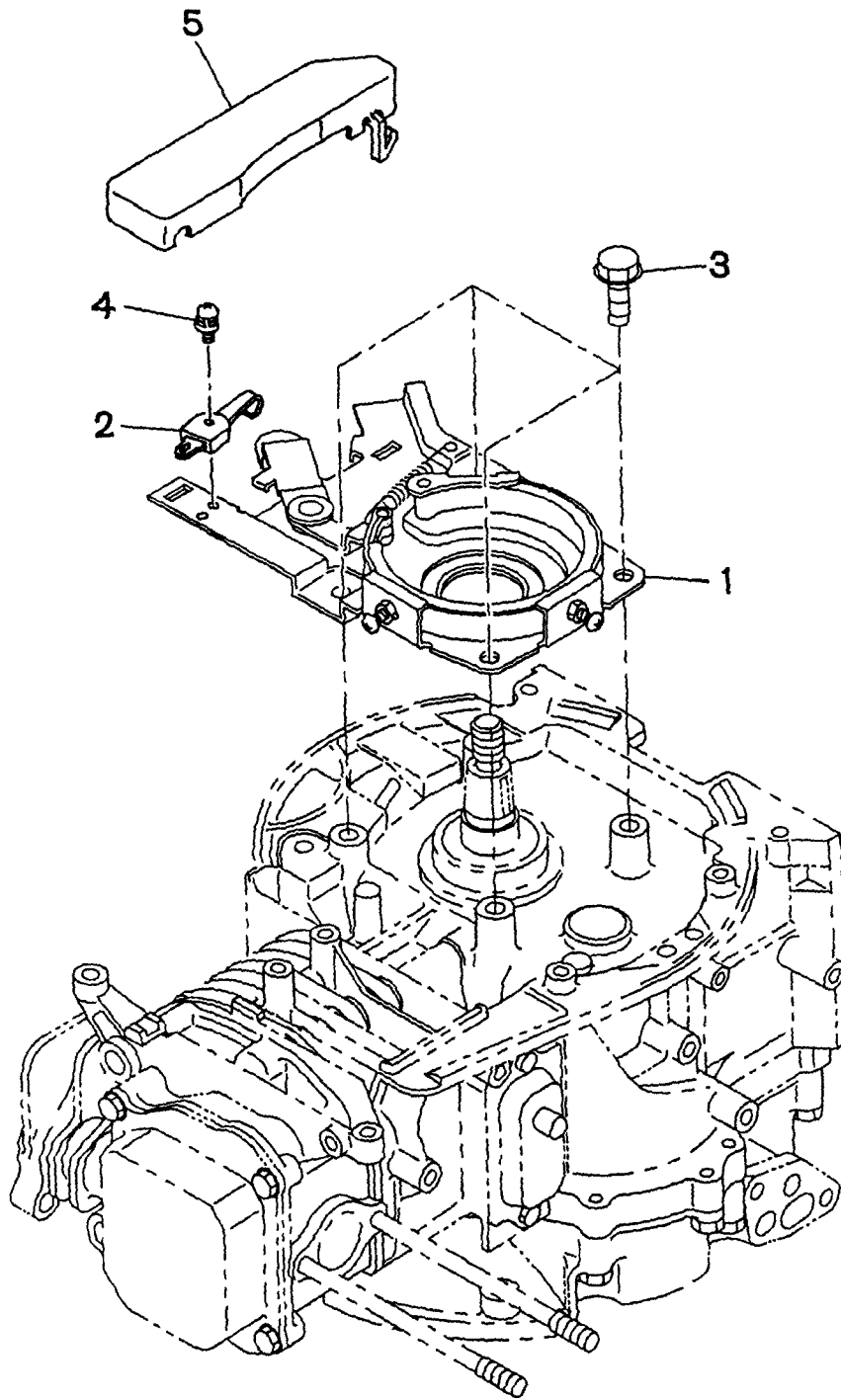


SECTION 7 ELECTRIC DEVICE GROUP

REF.	PART NO.	DESCRIPTION	QTY.	REMARKS	FROM-TO	FIG.
1	261-79201-01	FLYWHEEL, compl.	1			700
2	261-79401-11	IGNITION COIL, compl.	1			700
3	226-70245-08	GROMMET	1			700
4	X65-01410-03	SPARK PLUG	1	L86C		700
5	X65-51000-10	SPARK PLUG CAP	1			700
7	056-60300-10	CLAMP	1			700
8	001-14063-00	BOLT and WASHER AY	2			700
9	015-0040-10	TAPPING SCREW	1			700
10	206-75501-01	CLAMP, compl.	1			700
11	X65-91000-10	PLUG TERMINAL	1			700
12	261-76001-01	PLUG GUARD	1			700

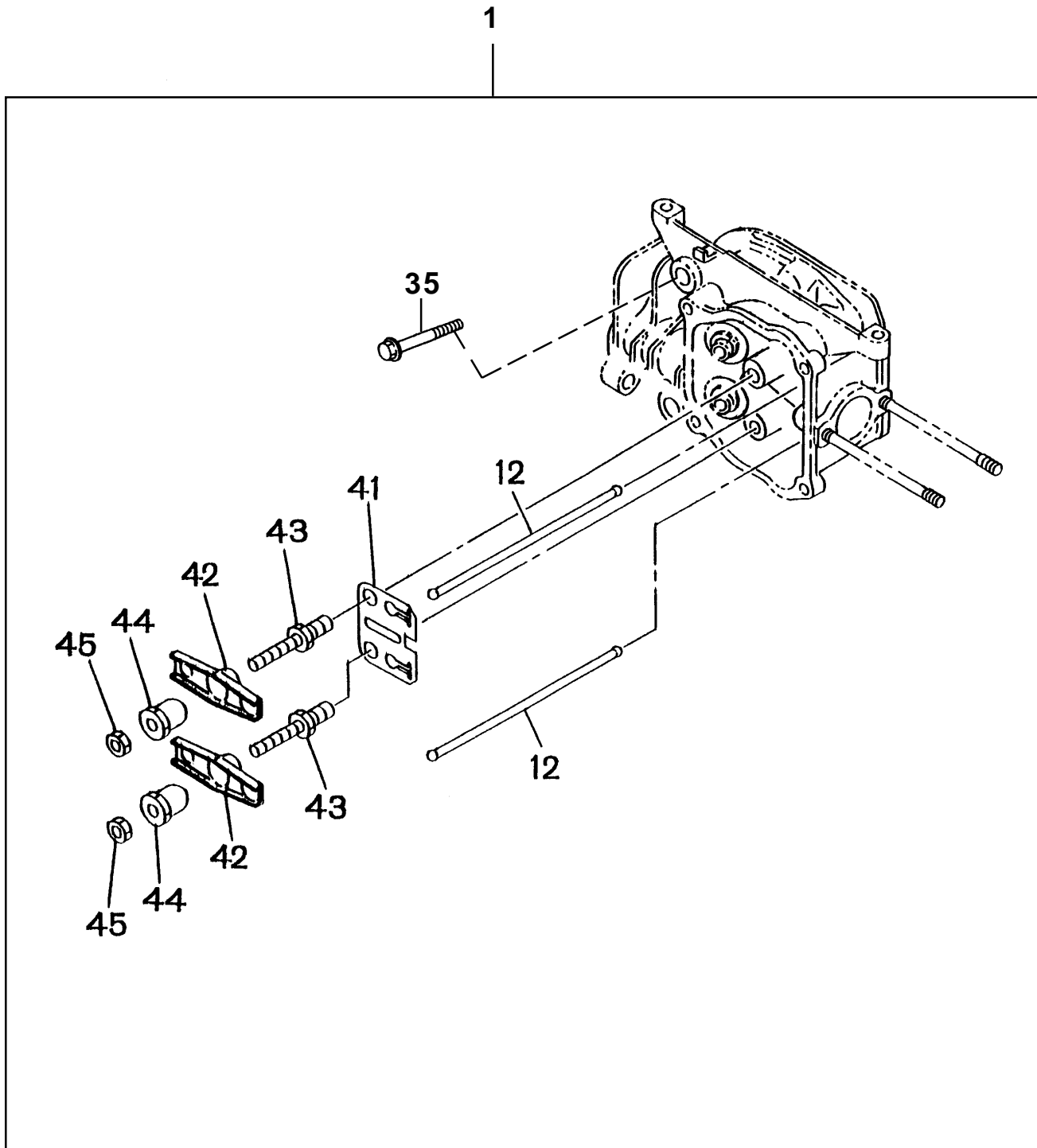
SECTION 8 BRAKE GROUP

FIG. 800



SECTION 9 CYLINDER HEAD KIT

FIG. 900



SECTION 9 CYLINDER HEAD KIT

REF.	PART NO.	DESCRIPTION	QTY.	REMARKS	FROM-TO	FIG.
1	261-13101-07	CYLINDER HEAD KIT	1	Includes items 12 thru 45		900
12	261-35302-03	PUSH ROD	2	151mm		900
35	011-00801-00	FLANGE BOLT	4			900
41	261-36501-A3	GUIDE PLATE	1			900
42	261-36001-A3	ROCKER ARM	2			900
43	261-35801-13	BOLT, PIVOT	2			900
44	261-35701-A3	PIVOT	2			900
45	017-00601-10	NUT	2			900

Use this kit to replace old Cylinder Head (261-13001-01), which is no longer available. Please order gaskets, valves, springs and retainers as needed, as shown in Figures 200 and 300.

PRINTED IN THE USA