

CR 1

0115501 - 0115506



Spare parts
Spares
Pièces de rechange
Piezas de recambio
Ricambi
Peças de reposição
Pieșe de schimb
Náhradných dielov
Reservedele
Części zamienne



BITTE, NOTIEREN SIE SERIENNUMMER UND MOTORNUMMER IHRER MASCHINE:

PLEASE WRITE DOWN SERIALNUMBERS OF MACHINE AND ENGINE:

NOTEZ SVP LE NUMERO DE SERIE ET LE NUMERO DU MOTEUR DE VOTRE MACHINE:

SI PREGA DI ANNOTARE SEMPRE I NUMERI DI SERIE SIA DELLA VS. MACCHINA CHE DEL MOTORE:

MAQUINA: ROGAMOS ANOTEN EL NUMERO DE SERIE Y NUMERO DE MOTOR DE SU MAQUINA:

MASCHINE
MACHINE
MACCHINA
MAQUINA

| |
|-------------|
| # # # |
|-------------|

MOTOR
ENGINE
MOTEUR
MOTORE

| |
|-------------|
| # # # |
|-------------|

ZUR VERMEIDUNG VON FEHLLIEFERUNGEN UND VERZÖGERUNGEN SIND BEI DER BESTELLUNG VON ERSATZTEILEN FOLGENDE ANGABEN UNBEDINGT ERFORDERLICH:

- MASCHINENTYP
- SERIENNUMMER DER MASCHINE
- SERIENNUMMER DES MOTORS (BEI MOTORTEILEN)
- TEILENUMMER
- BESTELLMENGE

TO AVOID ERRORS IN DELIVERY PLEASE STATE THESE PARTICULARS WHEN ORDERING:

- TYPE OF MACHINE
- SERIAL NO. OF MACHINE
- SERIAL NO. OF ENGINE (ON ENGINE PARTS)
- PART-NO.
- QUANTITY REQUIRED

AFIN D'EVITER DES ERREURS DE COMMANDE ET DES RETARDS DE LIVRAISON IL EST NECESSAIRE D'INDIQUER LES CARACTERISTIQUES SUIVANTES:

- TYPE DE MACHINE
- LE NUMERO DE SERIE DE LA MACHINE
- LE NUMERO DE SERIE DU MOTEUR
- LE NUMERO D'IDENTITE DE LA PIECE
- LA QUANTITE SOUHAITEE

ONDE EVITARE DISGUIDI E RITARDI NELLE CONSEGNE DIE RICAMBI SI PREGA DI INDICARE SEMPRE:

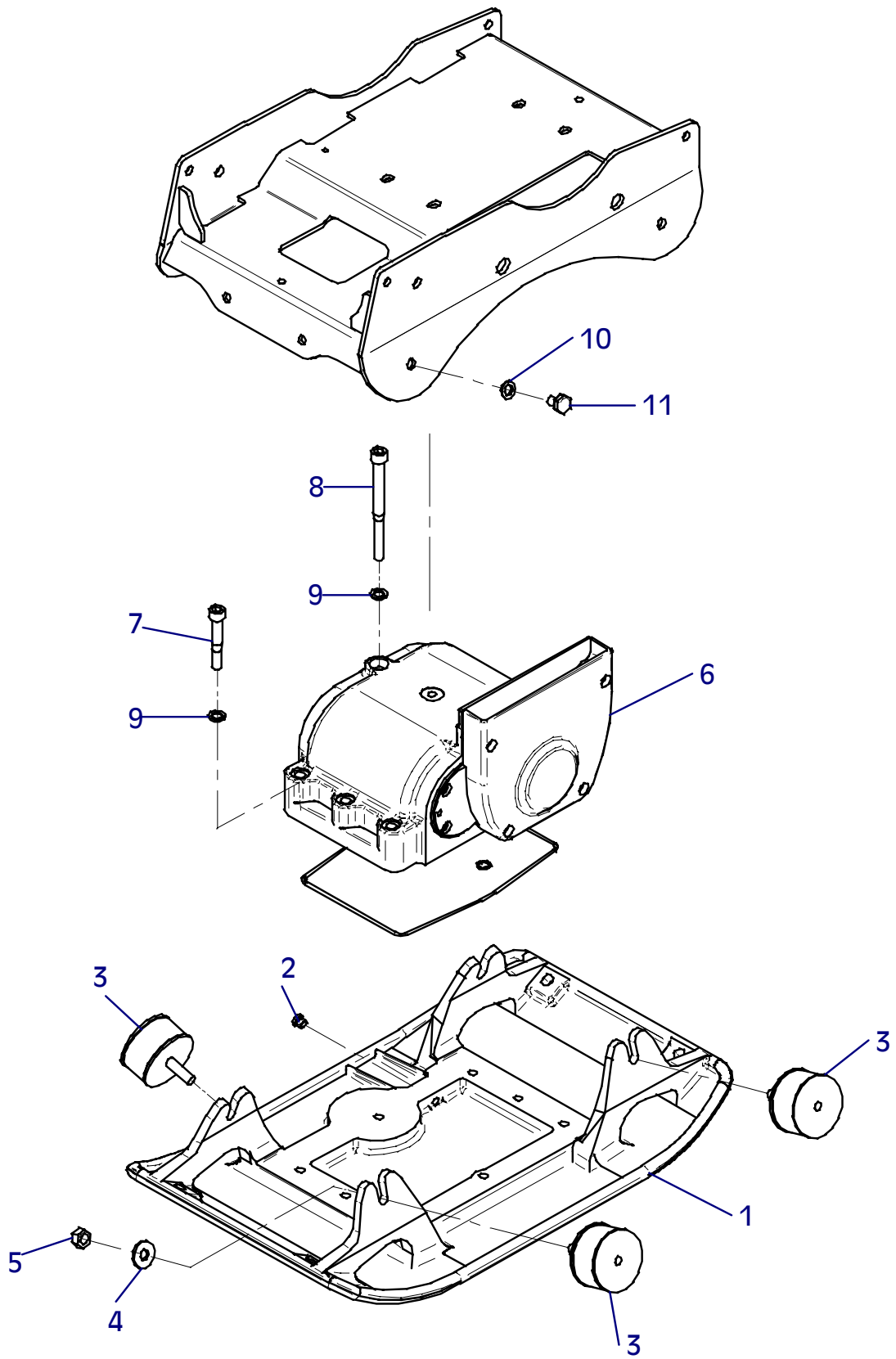
- TIPO DELLA MACCHINA
- NUMERO DI SERIE DELLA MACCHINA
- NUMERO DI SERIE DEL MOTORE (SE SI RICHIEDONO PEZZI DEL MOTORE)
- NUMERO D'ORDINE DIE SINGOLI RICAMBI
- QUANTITA

A FI DE EVITAR ERRORES DE ENTREGA, ROGAMOS INDIQUEN LOS SIGUIENTES DATOS CUANDO PASE PEDIDOS DE RECAMBIO:

- MODELO DE MAQUINA
- NO. DE SERIE DE LA MAQUINA
- NO. DE SERIE DEL MOTOR (EN PIEZAS PARA MOTOR)
- REFERENCIA DEL RECAMBIO
- CANTIDAD PEDIDA

E 3066-0406

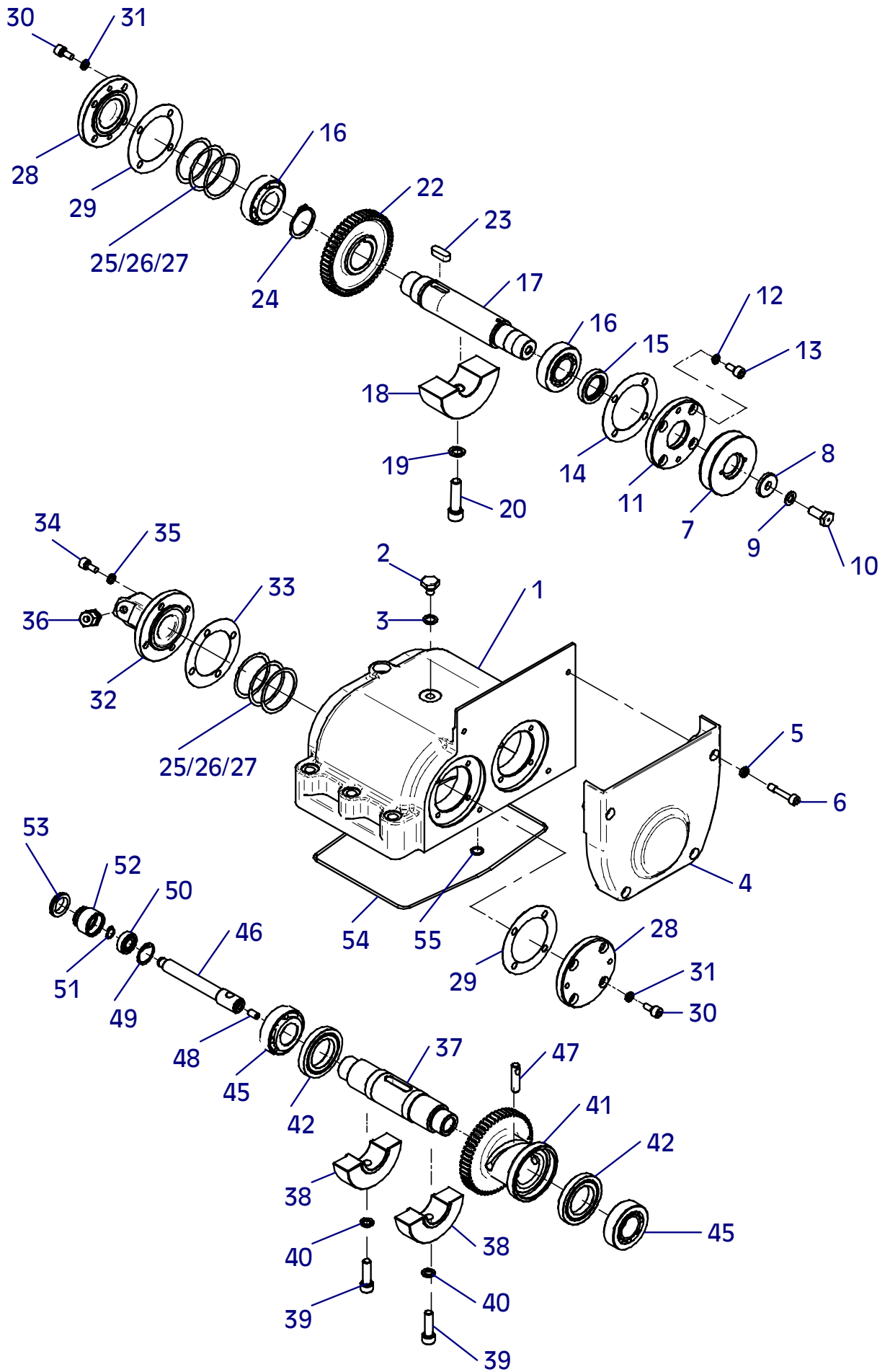
| Position Ref.No. Repère Posizione Posicion | Menge Quantity Quantité Quantità Cantidad | Teile-Nr. Part-No. No. Référence Nr. d'Ordine No. Referenzia | Hinweis Hints Indications Indicazione Indicaciones | Position Ref. No. Repère Posizione Posicion | Menge Quantity Quantité Quantità Cantidad | Teile-Nr. Part-No. No. Référence Nr. d'Ordine No. Referenzia | Hinweis Hints Indications Indicazione Indicaciones |
|--------------------------------------------------------|-------------------------------------------------------|--------------------------------------------------------------------------|----------------------------------------------------------------|---------------------------------------------------------|-------------------------------------------------------|--------------------------------------------------------------------------|----------------------------------------------------------------|
| 1 | 1 | 10016780 | | | | | |
| 2 | 1 | 25030001 | DIN908-M10x1 | | | | |
| 3 | 4 | 20004062 | | | | | |
| 4 | 4 | 20029023 | SKB 12 | | | | |
| 5 | 4 | 25031005 | DIN934-M12 | | | | |
| 6 | 1 | 10001479 | | | | | |
| 7 | 6 | 21000049 | DIN912-M12x70-12.9 | | | | |
| 8 | 2 | 25045041 | DIN912-M12x140-12.9 | | | | |
| 9 | 8 | 20029026 | | | | | |
| 10 | 4 | 20029004 | VSK 12 | | | | |
| 11 | 4 | 25038018 | DIN933-M12x20 | | | | |



E 3066-0406

E 3067-0410

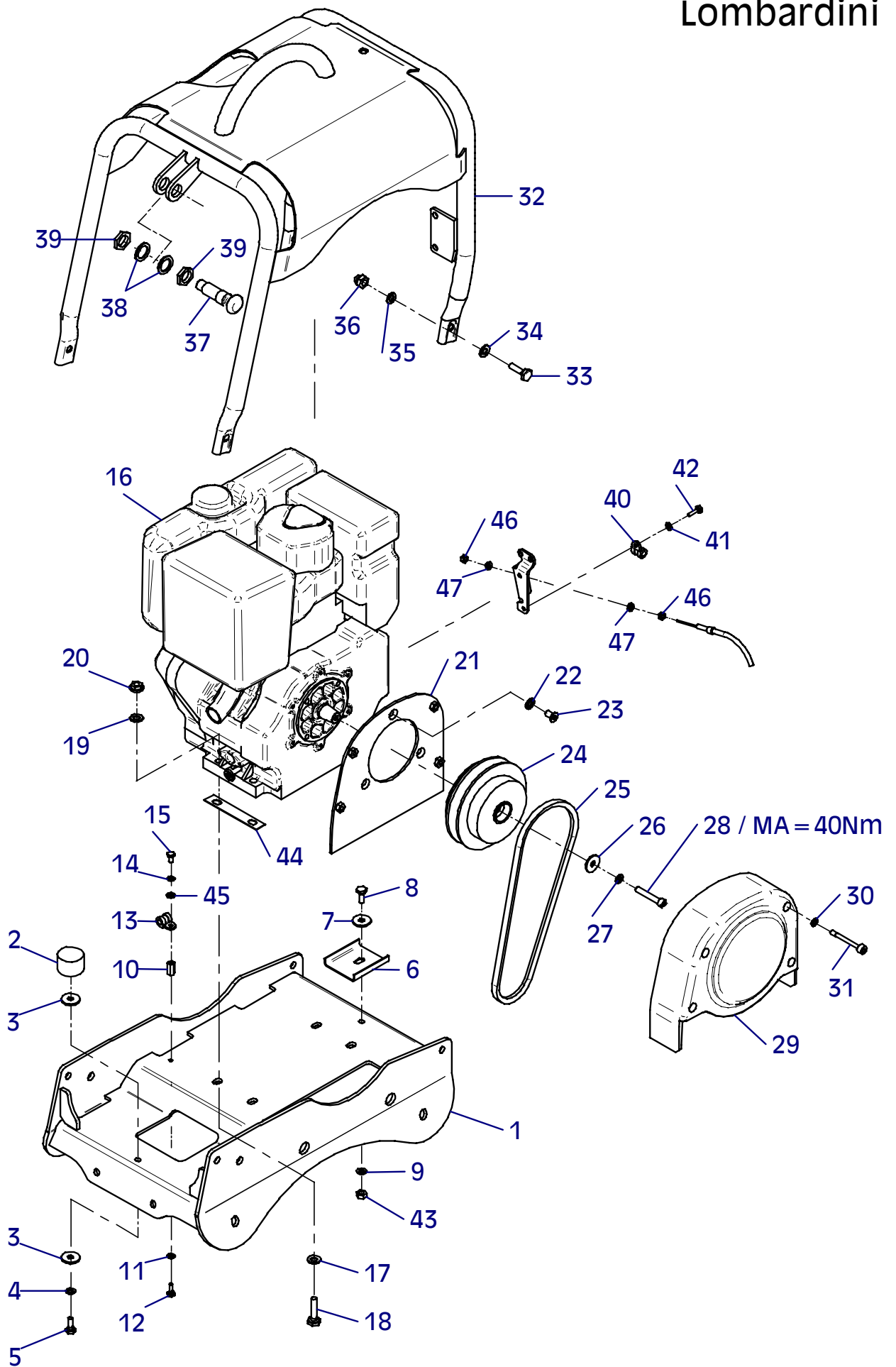
| Position Ref.No. Repère Posizione Posicion | Menge Quantity Quantité Quantità Cantidad | Teile-Nr. Part-No. No. Référence Nr. d'Ordine No. Referenzia | Hinweis Hints Indications Indicazione Indicaciones | Position Ref. No. Repère Posizione Posicion | Menge Quantity Quantité Quantità Cantidad | Teile-Nr. Part-No. No. Référence Nr. d'Ordine No. Referenzia | Hinweis Hints Indications Indicazione Indicaciones |
|--------------------------------------------------------|-------------------------------------------------------|--------------------------------------------------------------------------|----------------------------------------------------------------|---------------------------------------------------------|-------------------------------------------------------|--------------------------------------------------------------------------|----------------------------------------------------------------|
| 1 | 1 | 10016782 | | 30 | 8 | 25044100 | DIN912-M8x16 |
| 2 | 1 | 25038042 | DIN933-M12x16 | 31 | 8 | 20029011 | VSKZ 8 |
| 3 | 1 | 25008011 | DIN7603-12x18x1,5 | 32 | 1 | 10017149 | |
| 4 | 1 | 11000928 | | 33 | 1 | 20013295 | |
| 5 | 4 | 20029011 | VSKZ 8 | 34 | 4 | 25044100 | DIN912-M8x16 |
| 6 | 4 | 21000585 | DIN7964-M8x40 | 35 | 4 | 20029011 | VSKZ 8 |
| 7 | 1 | 10016791 | | 36 | 1 | 20020035 | |
| 8 | 1 | 10016071 | | 37 | 1 | 10017152 | |
| 9 | 1 | 20029001 | VSK 10 | 38 | 2 | 10017093 | |
| 10 | 1 | 10007370 | | 39 | 2 | 25045028 | DIN912-M10x35-10.9 |
| 11 | 1 | 10017148 | | 40 | 2 | 20029025 | |
| 12 | 4 | 20029011 | VSKZ 8 | 41 | 1 | 10016795 | |
| 13 | 4 | 25046015 | DIN7984-M8x16 | 42 | 2 | 25001022 | |
| 14 | 1 | 20013295 | | 43 | | | |
| 15 | 1 | 25017047 | | 45 | 2 | 25001156 | |
| 16 | 2 | 25001156 | | 46 | 1 | 10017154 | |
| 17 | 1 | 10017150 | | 47 | 1 | 10008320 | |
| 18 | 1 | 10017340 | | 48 | 1 | 25027004 | DIN914-M8x16 |
| 19 | 1 | 20029026 | | 49 | 1 | 25035026 | DIN472-I28x1,2 |
| 20 | 1 | 25045037 | DIN912-M12x45-10.9 | 50 | 1 | 25001513 | |
| 21 | | | | 51 | 1 | 25034002 | DIN471-A12 |
| 22 | 1 | 10016790 | | 52 | 1 | 10016066 | |
| 23 | 1 | 25015046 | | 53 | 1 | 20013270 | |
| 24 | 1 | 25034020 | DIN471-A38x1,75 | 54 | 1 | 20013301 | |
| 25 | 0 | 20025561 | | 55 | 2 | 20013103 | |
| 26 | 0 | 25025215 | DIN988-PS-50x62x0,1 | | | | |
| 27 | 0 | 20025163 | | | | | |
| 28 | 2 | 10017147 | | | | | |
| 29 | 2 | 20013295 | | | | | |



E 3067-0410

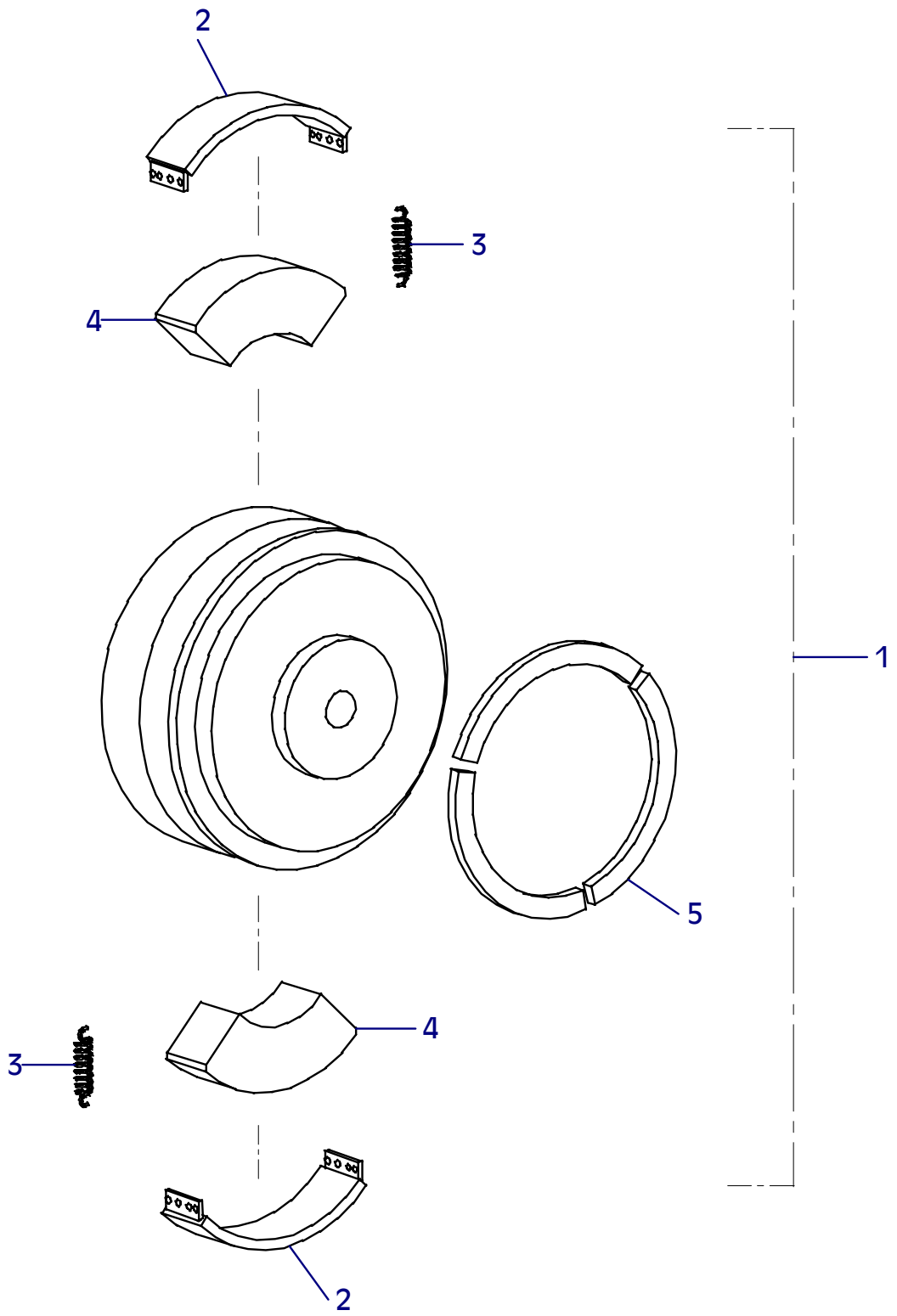
E 3068-0410

| Position Ref.No. Repère Posizione Posicion | Menge Quantity Quantité Quantita Cantidad | Teile-Nr. Part-No. No. Référence Nr. d'Ordine No. Referenzia | Hinweis Hints Indications Indicazione Indicaciones | Position Ref. No. Repère Posizione Posicion | Menge Quantity Quantité Quantita Cantidad | Teile-Nr. Part-No. No. Référence Nr. d'Ordine No. Referenzia | Hinweis Hints Indications Indicazione Indicaciones |
|--------------------------------------------------------|-------------------------------------------------------|--------------------------------------------------------------------------|----------------------------------------------------------------|---------------------------------------------------------|-------------------------------------------------------|--------------------------------------------------------------------------|----------------------------------------------------------------|
| 1 | 1 | 10022580 | | 30 | 4 | 20029011 | VSKZ 8 |
| 2 | 1 | 20005010 | | 31 | 4 | 21000587 | DIN7964-M8x60 |
| 3 | 2 | 25049016 | DIN440-R9 | 32 | 1 | 10022583 | |
| 4 | 1 | 20029003 | VSK 8 | 33 | 4 | 25038015 | DIN933-M10x30 |
| 5 | 1 | 25038007 | DIN933-M8x20 | 34 | 4 | 25048003 | DIN125-A10,5 |
| 6 | 1 | 10016959 | | 35 | 4 | 20029001 | VSK 10 |
| 7 | 1 | 25049016 | DIN440-R9 | 36 | 4 | 25031028 | DIN1587-M10 |
| 8 | 1 | 25038007 | DIN933-M8x20 | 37 | 1 | 20026481 | |
| 9 | 1 | 20029003 | VSK 8 | 38 | 2 | 20025019 | |
| 10 | 1 | 20025564 | | 39 | 2 | 25025191 | DIN80705-M20x1,5 |
| 11 | 1 | 20029007 | VSK 6 | 40 | 1 | 20007007 | |
| 12 | 1 | 25038002 | DIN933-M6x16 | 41 | 1 | 25048001 | DIN125-A6,4 |
| 13 | 1 | 20007007 | | 42 | 1 | 25044003 | DIN912-M6x20 |
| 14 | 1 | 20029007 | VSK 6 | 43 | 1 | 25031003 | DIN934-M8 |
| 15 | 1 | 25038002 | DIN933-M6x16 | 44 | 2 | 30047498 | |
| 16 | 1 | 21000356 | | 45 | 1 | 25048001 | DIN125-A6,4 |
| 17 | 4 | 25048003 | DIN125-A10,5 | 46 | 2 | 25031002 | DIN934-M6 |
| 18 | 4 | 25038017 | DIN933-M10x40 | 47 | 2 | 25048001 | DIN125-A6,4 |
| 19 | 4 | 25048003 | DIN125-A10,5 | | | | |
| 20 | 4 | 20022003 | Tensilock M10 | | | | |
| 21 | 1 | 10022591 | | | | | |
| 22 | 3 | 25005003 | DIN6798-V8,4 | | | | |
| 23 | 3 | 25047003 | DIN7991-M8x16 | | | | |
| 24 | 1 | 20002094 | | | | | |
| 25 | 1 | 25002094 | | | | | |
| 26 | 1 | 25049016 | DIN440-R9 | | | | |
| 27 | 1 | 20029011 | VSKZ 8 | | | | |
| 28 | 1 | 21000044 | DIN912-M8x45-12.9 | | | | |
| 29 | 1 | 11000929 | | | | | |



E 3069-0606

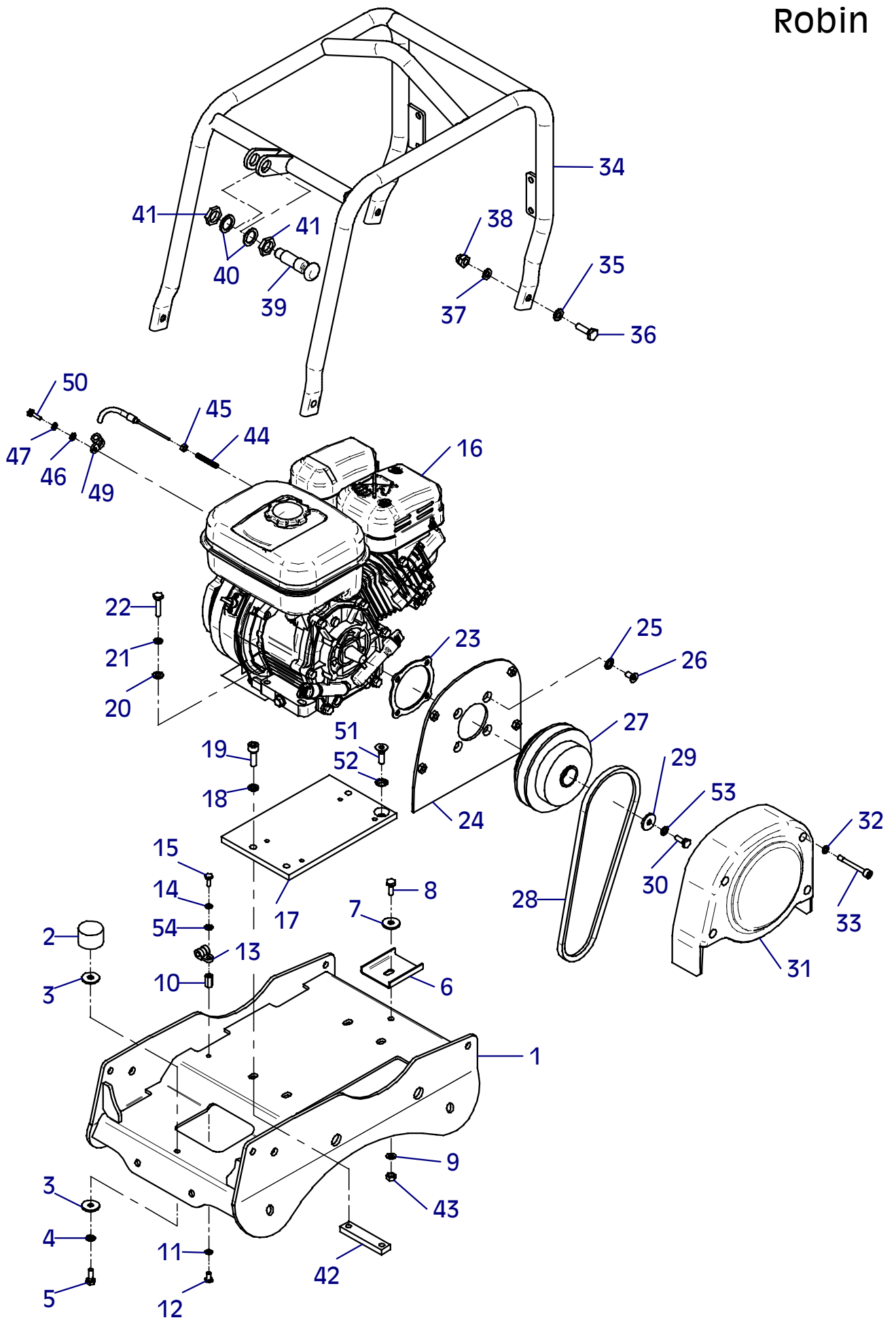
| Position Ref.No. Repère Posizione Posicion | Menge Quantity Quantité Quantita Cantidad | Teile-Nr. Part-No. No. Référence Nr. d'Ordine No. Referenzia | Hinweis Hints Indications Indicazione Indicaciones | Position Ref. No. Repère Posizione Posicion | Menge Quantity Quantité Quantita Cantidad | Teile-Nr. Part-No. No. Référence Nr. d'Ordine No. Referenzia | Hinweis Hints Indications Indicazione Indicaciones |
|--------------------------------------------------------|-------------------------------------------------------|--------------------------------------------------------------------------|----------------------------------------------------------------|---------------------------------------------------------|-------------------------------------------------------|--------------------------------------------------------------------------|----------------------------------------------------------------|
| 1 | 1 | 20002094 | | | | | |
| 2 | 2 | 20002285 | | | | | |
| 3 | 2 | 20002351 | | | | | |
| 4 | 2 | 20002284 | | | | | |
| 5 | 3 | 21000154 | | | | | |



E 3246-0111

| Position Ref.No. Repère Posizione Posicion | Menge Quantity Quantité Quantita Cantidad | Teile-Nr. Part-No. No. Référence Nr. d'Ordine No. Referenzia | Hinweis Hints Indications Indicazione Indicaciones | Position Ref. No. Repère Posizione Posicion | Menge Quantity Quantité Quantita Cantidad | Teile-Nr. Part-No. No. Référence Nr. d'Ordine No. Referenzia | Hinweis Hints Indications Indicazione Indicaciones |
|--------------------------------------------------------|-------------------------------------------------------|--------------------------------------------------------------------------|----------------------------------------------------------------|---------------------------------------------------------|-------------------------------------------------------|--------------------------------------------------------------------------|----------------------------------------------------------------|
| 1 | 1 | 10022580 | | 30 | 1 | 25038011 | DIN933-M8x40 |
| 2 | 1 | 20005010 | | 31 | 1 | 11000929 | |
| 3 | 2 | 25049016 | DIN440-R9 | 32 | 4 | 20029011 | VSKZ 8 |
| 4 | 1 | 20029003 | VSK 8 | 33 | 4 | 21000587 | DIN7964-M8x60 |
| 5 | 1 | 25038007 | DIN933-M8x20 | 34 | 1 | 10022582 | |
| 6 | 1 | 10016959 | | 35 | 4 | 25048003 | DIN125-A10,5 |
| 7 | 1 | 25049016 | DIN440-R9 | 36 | 4 | 25038015 | DIN933-M10x30 |
| 8 | 1 | 25038007 | DIN933-M8x20 | 37 | 4 | 20029001 | VSK 10 |
| 9 | 1 | 20029003 | VSK 8 | 38 | 4 | 25031028 | DIN1587-M10 |
| 10 | 1 | 20025564 | | 39 | 1 | 20026481 | |
| 11 | 1 | 20029007 | VSK 6 | 40 | 2 | 20025019 | |
| 12 | 1 | 25038002 | DIN933-M6x16 | 41 | 2 | 25025191 | DIN80705-M20x1,5 |
| 13 | 1 | 20007007 | | 42 | 2 | 10017034 | |
| 14 | 1 | 20029007 | VSK 6 | 43 | 1 | 25031003 | DIN934-M8 |
| 15 | 1 | 25038002 | DIN933-M6x16 | 44 | 1 | 21000239 | |
| 16 | 1 | 21000080 | | 45 | 1 | 25031002 | DIN934-M6 |
| 17 | 1 | 10016928 | | 46 | 1 | 25048001 | DIN125-A6,4 |
| 18 | 3 | 20029012 | VSKZ 10 | 47 | 1 | 20029007 | VSK 6 |
| 19 | 3 | 25044013 | DIN912-M10x30 | 48 | | | |
| 20 | 4 | 25049026 | DIN7349-8,4 | 49 | 1 | 20007007 | |
| 21 | 4 | 20029024 | | 50 | 1 | 25038003 | DIN933-M6x20 |
| 22 | 4 | 25038010 | DIN933-M8x35 | 51 | 1 | 25047026 | DIN7991-M10x30 |
| 23 | 1 | 30047446 | | 52 | 1 | 25005004 | DIN6798-V10,5 |
| 24 | 1 | 10022593 | | 53 | 1 | 20029003 | VSK 8 |
| 25 | 4 | 25005003 | DIN6798-V8,4 | 54 | 1 | 25048001 | DIN125-A6,4 |
| 26 | 4 | 25047017 | DIN7991-M8x20 | | | | |
| 27 | 1 | 21000233 | | | | | |
| 28 | 1 | 21000288 | | | | | |
| 29 | 1 | 25049016 | DIN440-R9 | | | | |

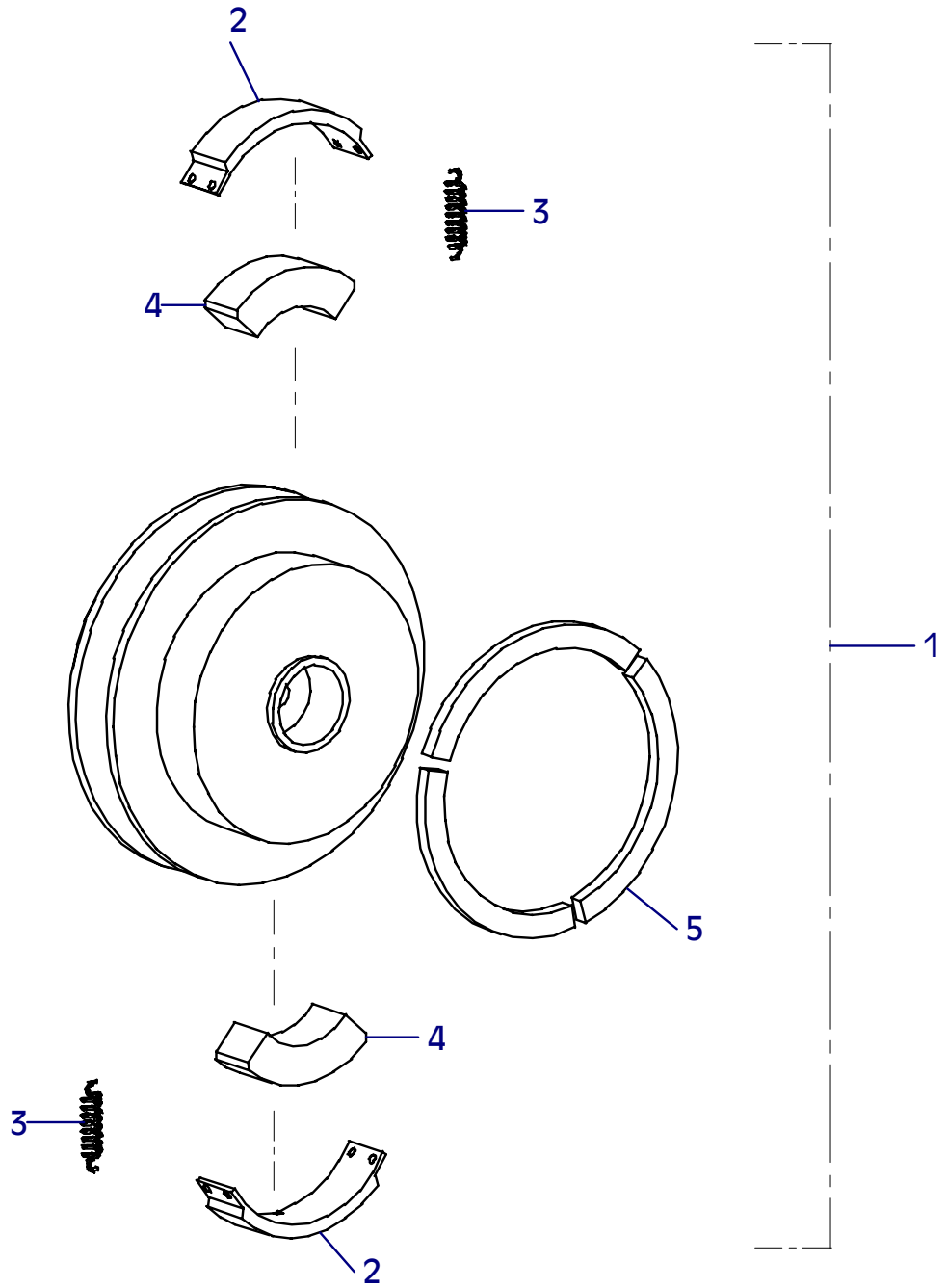
Robin



E 3246-0111

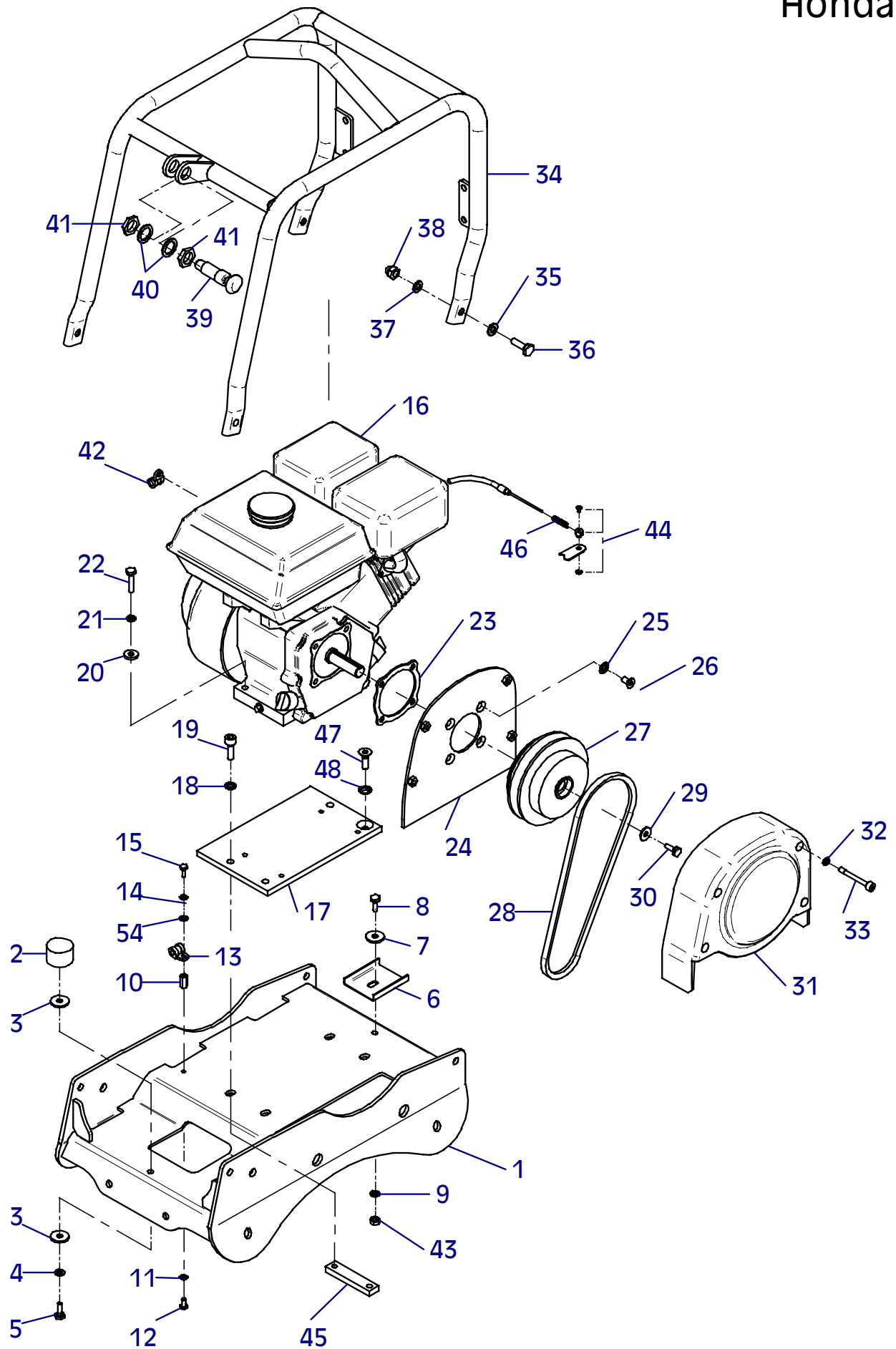
E 3247-0107

| Position Ref.No. Repère Posizione Posicion | Menge Quantity Quantité Quantità Cantidad | Teile-Nr. Part-No. No. Référence Nr. d'Ordine No. Referenzia | Hinweis Hints Indications Indicazione Indicaciones | Position Ref. No. Repère Posizione Posicion | Menge Quantity Quantité Quantità Cantidad | Teile-Nr. Part-No. No. Référence Nr. d'Ordine No. Referenzia | Hinweis Hints Indications Indicazione Indicaciones |
|--------------------------------------------------------|-------------------------------------------------------|--------------------------------------------------------------------------|----------------------------------------------------------------|---------------------------------------------------------|-------------------------------------------------------|--------------------------------------------------------------------------|----------------------------------------------------------------|
| 1 | 1 | 21000233 | | | | | |
| 2 | 2 | 20002285 | | | | | |
| 3 | 2 | 20002351 | | | | | |
| 4 | 2 | 20002284 | | | | | |
| 5 | 3 | 21000019 | | | | | |



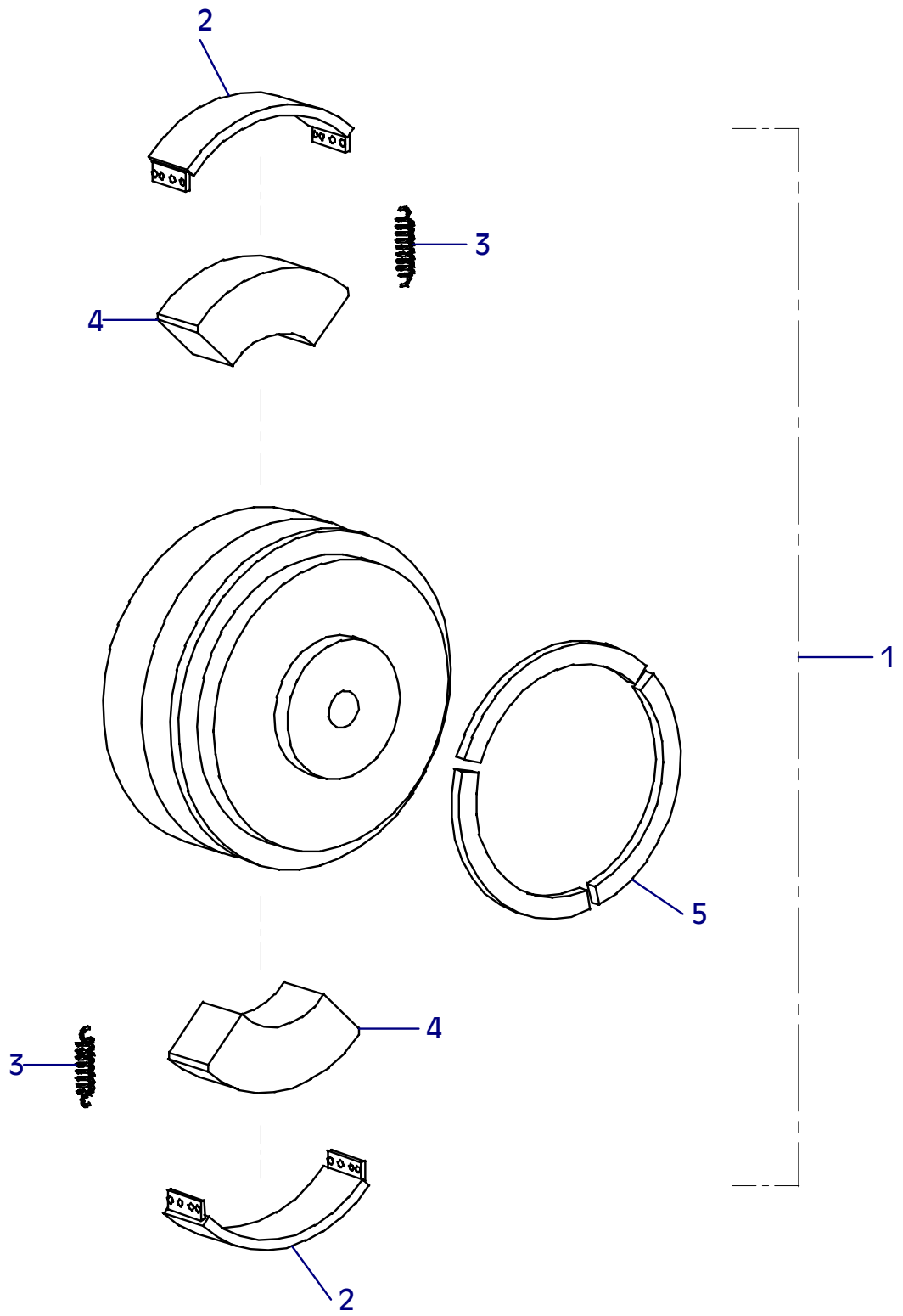
E 3072-0410

| Position Ref.No. Repère Posizione Posicion | Menge Quantity Quantité Quantità Cantidad | Teile-Nr. Part-No. No. Référence Nr. d'Ordine No. Referenzia | Hinweis Hints Indications Indicazione Indicaciones | Position Ref. No. Repère Posizione Posicion | Menge Quantity Quantité Quantità Cantidad | Teile-Nr. Part-No. No. Référence Nr. d'Ordine No. Referenzia | Hinweis Hints Indications Indicazione Indicaciones |
|--------------------------------------------------------|-------------------------------------------------------|--------------------------------------------------------------------------|----------------------------------------------------------------|---------------------------------------------------------|-------------------------------------------------------|--------------------------------------------------------------------------|----------------------------------------------------------------|
| 1 | 1 | 10022580 | | 30 | 1 | 25043005 | DIN933-5/16" |
| 2 | 1 | 20005010 | | 31 | 1 | 11000929 | |
| 3 | 2 | 25049016 | DIN440-R9 | 32 | 4 | 20029011 | VSKZ 8 |
| 4 | 1 | 20029003 | VSK 8 | 33 | 4 | 21000587 | DIN7964-M8x60 |
| 5 | 1 | 25038007 | DIN933-M8x20 | 34 | 1 | 10022582 | |
| 6 | 1 | 10016959 | | 35 | 4 | 25048003 | DIN125-A10,5 |
| 7 | 1 | 25049016 | DIN440-R9 | 36 | 4 | 25038015 | DIN933-M10x30 |
| 8 | 1 | 25038007 | DIN933-M8x20 | 37 | 4 | 20029001 | VSK 10 |
| 9 | 1 | 20029003 | VSK 8 | 38 | 4 | 25031028 | DIN1587-M10 |
| 10 | 1 | 20025564 | | 39 | 1 | 20026481 | |
| 11 | 1 | 20029007 | VSK 6 | 40 | 2 | 20025019 | |
| 12 | 1 | 25038002 | DIN933-M6x16 | 41 | 2 | 25025191 | DIN80705-M20x1,5 |
| 13 | 1 | 20007007 | | 42 | 1 | 20007007 | |
| 14 | 1 | 20029007 | VSK 6 | 43 | 1 | 25031003 | DIN934-M8 |
| 15 | 1 | 25038002 | DIN933-M6x16 | 44 | 1 | 20026383 | |
| 16 | 1 | 21000608 | | 45 | 2 | 10017034 | |
| 17 | 1 | 10016928 | | 46 | 1 | 21000335 | |
| 18 | 3 | 20029012 | VSKZ 10 | 47 | 1 | 25047026 | DIN7991-M10x30 |
| 19 | 3 | 25044013 | DIN912-M10x30 | 48 | 1 | 25005004 | DIN6798-V10,5 |
| 20 | 4 | 25049026 | DIN7349-8,4 | 49 | | | |
| 21 | 4 | 20029024 | | 50 | | | |
| 22 | 4 | 25038010 | DIN933-M8x35 | 54 | 1 | 25048001 | DIN125-A6,4 |
| 23 | 1 | 30047446 | | | | | |
| 24 | 1 | 10022593 | | | | | |
| 25 | 4 | 25005003 | DIN6798-V8,4 | | | | |
| 26 | 4 | 25047062 | DIN7991-5/16"-24UNF | | | | |
| 27 | 1 | 20002096 | | | | | |
| 28 | 1 | 21000348 | | | | | |
| 29 | 1 | 20029021 | SKB 8 | | | | |



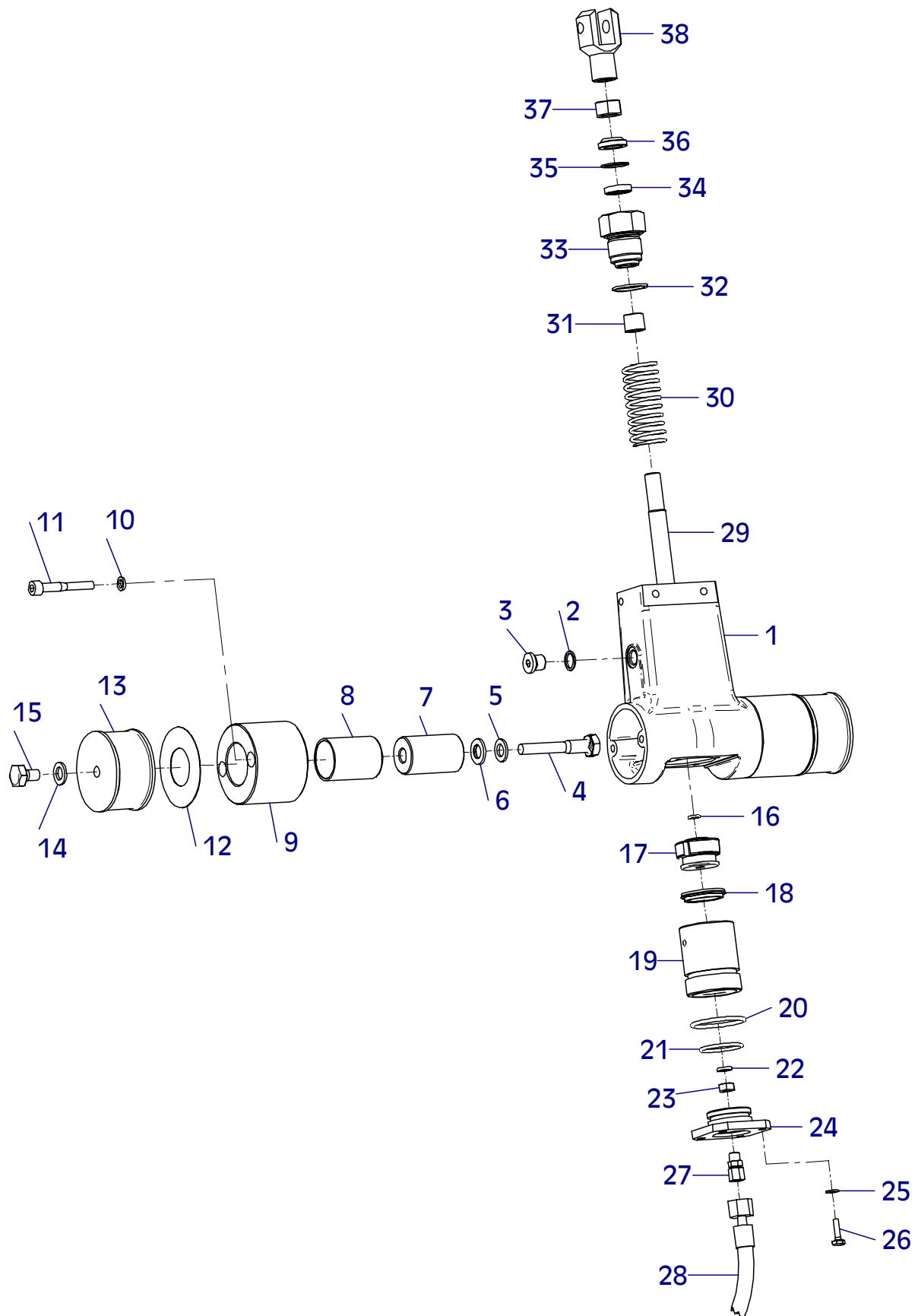
E 3073-0606

| Position Ref.No. Repère Posizione Posicion | Menge Quantity Quantité Quantita Cantidad | Teile-Nr. Part-No. No. Référence Nr. d'Ordine No. Referenzia | Hinweis Hints Indications Indicazione Indicaciones | Position Ref. No. Repère Posizione Posicion | Menge Quantity Quantité Quantita Cantidad | Teile-Nr. Part-No. No. Référence Nr. d'Ordine No. Referenzia | Hinweis Hints Indications Indicazione Indicaciones |
|--------------------------------------------------------|-------------------------------------------------------|--------------------------------------------------------------------------|----------------------------------------------------------------|---------------------------------------------------------|-------------------------------------------------------|--------------------------------------------------------------------------|----------------------------------------------------------------|
| 1 | 1 | 20002096 | | | | | |
| 2 | 2 | 20002285 | | | | | |
| 3 | 2 | 20002351 | | | | | |
| 4 | 2 | 20002284 | | | | | |
| 5 | 3 | 21000154 | | | | | |



E 3338-0309

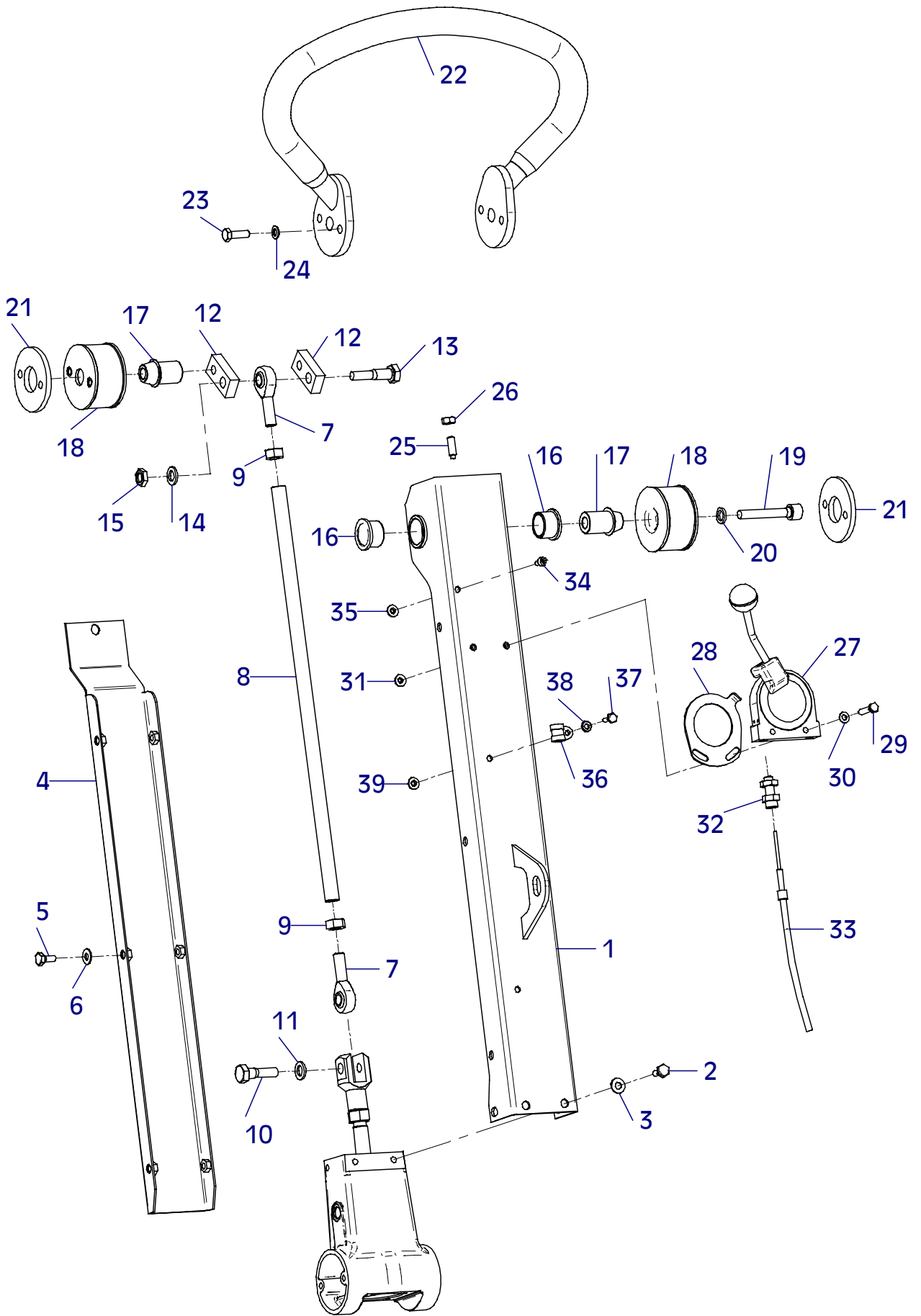
| Position Ref.No. Repère Posizione Posicion | Menge Quantity Quantité Cantidad | Teile-Nr. Part-No. No. Référence Nr. d'Ordine No. Referenzia | Hinweis Hints Indications Indicazione Indicaciones | Position Ref. No. Repère Posizione Posicion | Menge Quantity Quantité Cantidad | Teile-Nr. Part-No. No. Référence Nr. d'Ordine No. Referenzia | Hinweis Hints Indications Indicazione Indicaciones |
|--------------------------------------------------------|-------------------------------------------|--------------------------------------------------------------------------|----------------------------------------------------------------|---------------------------------------------------------|-------------------------------------------|--------------------------------------------------------------------------|----------------------------------------------------------------|
| 1 | 1 | 10016872 | | 31 | 1 | 20026542 | |
| 2 | 1 | 25008016 | DIN7603-14x18x1,5 | 32 | 1 | 25008009 | DIN7603-30x36x2 |
| 3 | 1 | 25030002 | DIN908-M14x1,5 | 33 | 1 | 10017050 | |
| 4 | 2 | 25040033 | DIN931-M12x70 | 34 | 1 | 20013296 | |
| 5 | 2 | 20029004 | VSK 12 | 35 | 1 | 25035025 | DIN472-I24x1,2 |
| 6 | 2 | 25048004 | DIN125-A13 | 36 | 1 | 20013297 | |
| 7 | 2 | 10016877 | | 37 | 1 | 25031037 | DIN934-M14 |
| 8 | 2 | 21000695 | | 38 | 1 | 11000649 | |
| 9 | 2 | 10016876 | | | | | |
| 10 | 4 | 20029011 | VSKZ 8 | | | | |
| 11 | 4 | 25044046 | DIN912-M8x55 | | | | |
| 12 | 2 | 20026546 | | | | | |
| 13 | 2 | 20004061 | | | | | |
| 14 | 2 | 20029004 | VSK 12 | | | | |
| 15 | 2 | 25038042 | DIN933-M12x16 | | | | |
| 16 | 1 | 20013298 | | | | | |
| 17 | 1 | 10016869 | | | | | |
| 18 | 1 | 20013282 | | | | | |
| 19 | 1 | 10016867 | | | | | |
| 20 | 1 | 20013284 | | | | | |
| 21 | 1 | 20013286 | | | | | |
| 22 | 1 | 20029024 | | | | | |
| 23 | 1 | 25031003 | DIN934-M8 | | | | |
| 24 | 1 | 10016870 | | | | | |
| 25 | 4 | 20029007 | VSK 6 | | | | |
| 26 | 4 | 25038003 | DIN933-M6x20 | | | | |
| 27 | 1 | 20020035 | | | | | |
| 28 | 1 | 20016390 | | | | | |
| 29 | 1 | 11000650 | | | | | |
| 30 | 1 | 20008067 | | | | | |



E 3338-0309

E 3339-0309

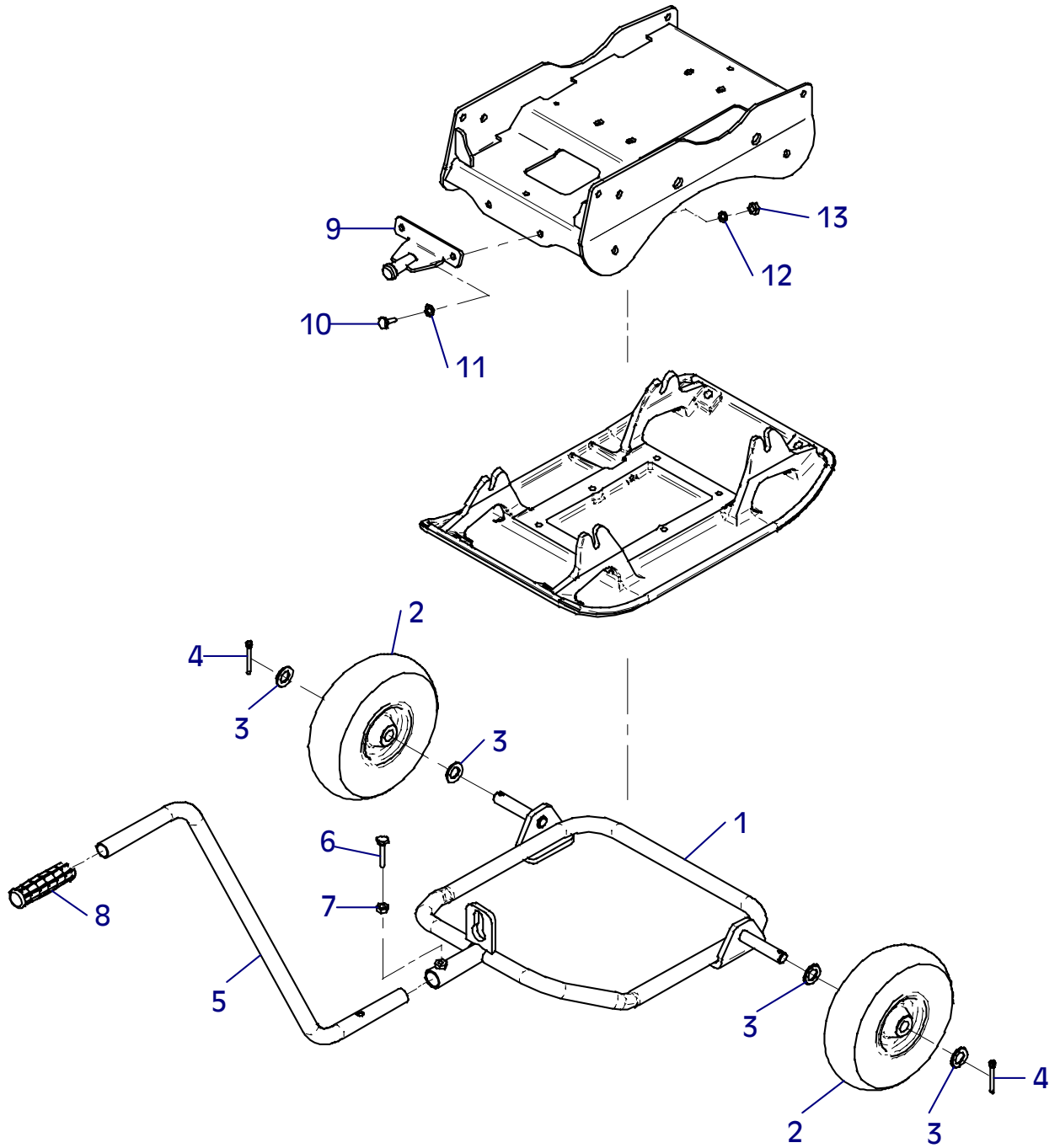
| Position Ref.No. Repère Posizione Posicion | Menge Quantity Quantité Cantidad | Teile-Nr. Part-No. No. Référence Nr. d'Ordine No. Referenzia | Hinweis Hints Indications Indicazione Indicaciones | Position Ref. No. Repère Posizione Posicion | Menge Quantity Quantité Cantidad | Teile-Nr. Part-No. No. Référence Nr. d'Ordine No. Referenzia | Hinweis Hints Indications Indicazione Indicaciones |
|--------------------------------------------------------|-------------------------------------------|--------------------------------------------------------------------------|----------------------------------------------------------------|---------------------------------------------------------|-------------------------------------------|--------------------------------------------------------------------------|----------------------------------------------------------------|
| 1 | 1 | 11000642 | | 30 | 2 | 25048001 | DIN125-A6,4 |
| 2 | 4 | 25038006 | DIN933-M8x16 | 31 | 2 | 20022001 | Tensilock M6 |
| 3 | 4 | 20029031 | SKM 8 | 32 | 1 | 20018021 | |
| 4 | 1 | 11000647 | | 33 | 1 | 20006416 | Lombardini |
| 5 | 7 | 25038006 | DIN933-M8x16 | 33 | 1 | 21000241 | Robin/Honda |
| 6 | 7 | 20029031 | SKM 8 | 34 | 1 | 25044074 | DIN912-M6x12 |
| 7 | 2 | 21000455 | | 35 | 1 | 20022001 | Tensilock M6 |
| 8 | 1 | 11000651 | | 36 | 2 | 20007007 | |
| 9 | 2 | 25031005 | DIN934-M12 | 37 | 2 | 25038002 | DIN933-M6x16 |
| 10 | 1 | 25040047 | DIN931-M12x40 | 38 | 2 | 25048001 | DIN125-A6,4 |
| 11 | 1 | 20029004 | VSK 12 | 39 | 2 | 20022001 | Tensilock M6 |
| 12 | 2 | 11000652 | | | | | |
| 13 | 1 | 25040018 | DIN931-M12x50 | | | | |
| 14 | 1 | 20029004 | VSK 12 | | | | |
| 15 | 1 | 25031019 | DIN936-M12 | | | | |
| 16 | 2 | 21000453 | | | | | |
| 17 | 2 | 11000646 | | | | | |
| 18 | 2 | 10017396 | | | | | |
| 19 | 2 | 21000462 | DIN912-M12x65 | | | | |
| 20 | 2 | 20025158 | | | | | |
| 21 | 2 | 11000056 | | | | | |
| 22 | 1 | 11000038 | | | | | |
| 23 | 4 | 25038008 | DIN933-M8x25 | | | | |
| 24 | 4 | 20029003 | VSK 8 | | | | |
| 25 | 1 | 25028012 | DIN915-M8x30 | | | | |
| 26 | 1 | 25031003 | DIN934-M8 | | | | |
| 27 | 1 | 20018134 | | | | | |
| 28 | 1 | 10016358 | | | | | |
| 28 | | | | | | | |
| 29 | 2 | 25038070 | DIN933-M6x30 | | | | |



E 3339-0309

E 3075-0303

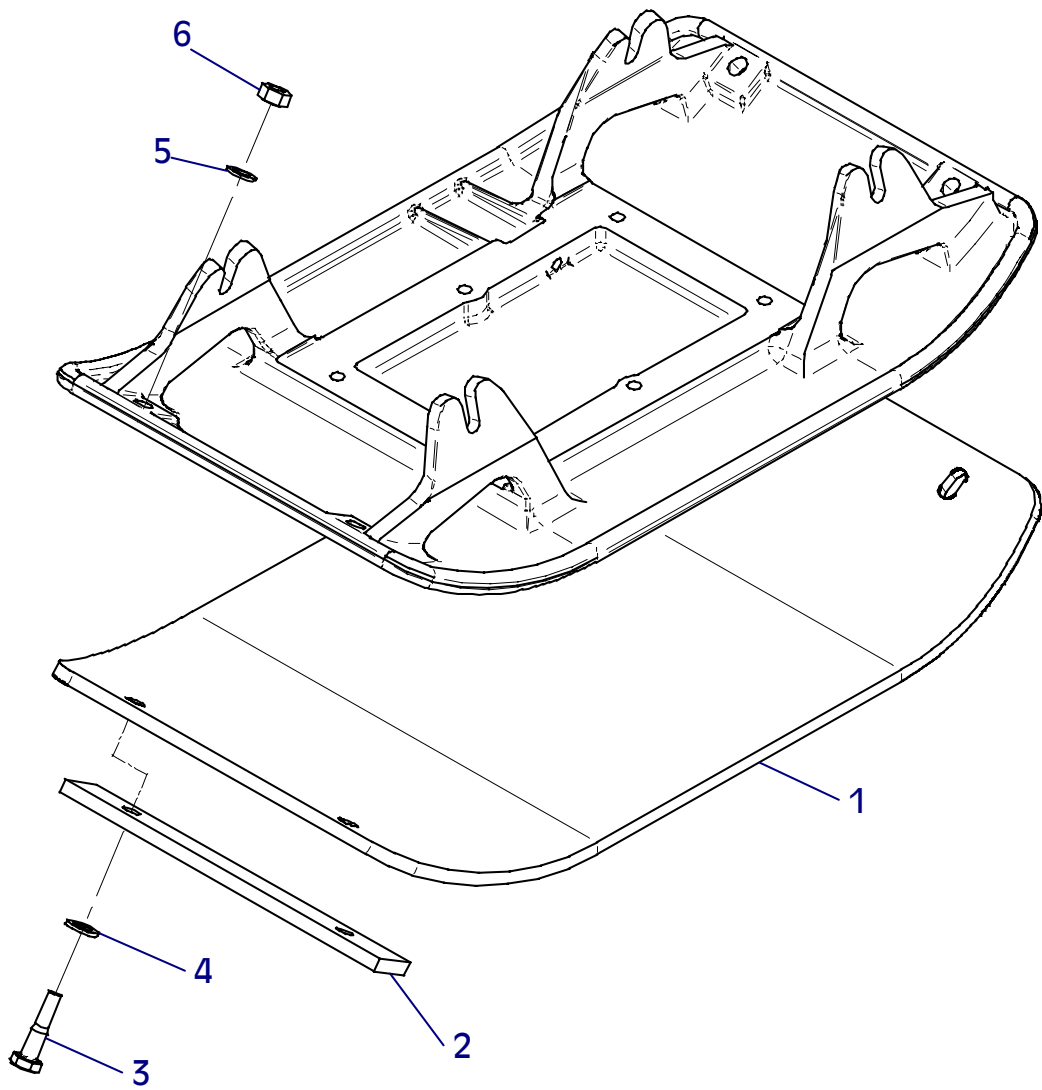
| Position Ref.No. Repère Posizione Posicion | Menge Quantity Quantité Quantita Cantidad | Teile-Nr. Part-No. No. Référence Nr. d'Ordine No. Referenzia | Hinweis Hints Indications Indicazione Indicaciones | Position Ref. No. Repère Posizione Posicion | Menge Quantity Quantité Quantita Cantidad | Teile-Nr. Part-No. No. Référence Nr. d'Ordine No. Referenzia | Hinweis Hints Indications Indicazione Indicaciones |
|--------------------------------------------------------|-------------------------------------------------------|--------------------------------------------------------------------------|----------------------------------------------------------------|---------------------------------------------------------|-------------------------------------------------------|--------------------------------------------------------------------------|----------------------------------------------------------------|
| 1 | 1 | 10022610 | | | | | |
| 2 | 2 | 20025007 | | | | | |
| 3 | 4 | 25048006 | DIN125-A21 | | | | |
| 4 | 2 | 25037002 | | | | | |
| 5 | 1 | 10016239 | | | | | |
| 6 | 1 | 25038060 | DIN933-M10x50 | | | | |
| 7 | 1 | 25031004 | DIN934-M10 | | | | |
| 8 | 1 | 20025508 | | | | | |
| 9 | 1 | 10022609 | | | | | |
| 10 | 2 | 25038014 | DIN933-M10x25 | | | | |
| 11 | 2 | 25048003 | DIN125-A10,5 | | | | |
| 12 | 2 | 20029001 | VSK 10 | | | | |
| 13 | 2 | 25031004 | DIN934-M10 | | | | |



E 3075-0303

E 3076-0303

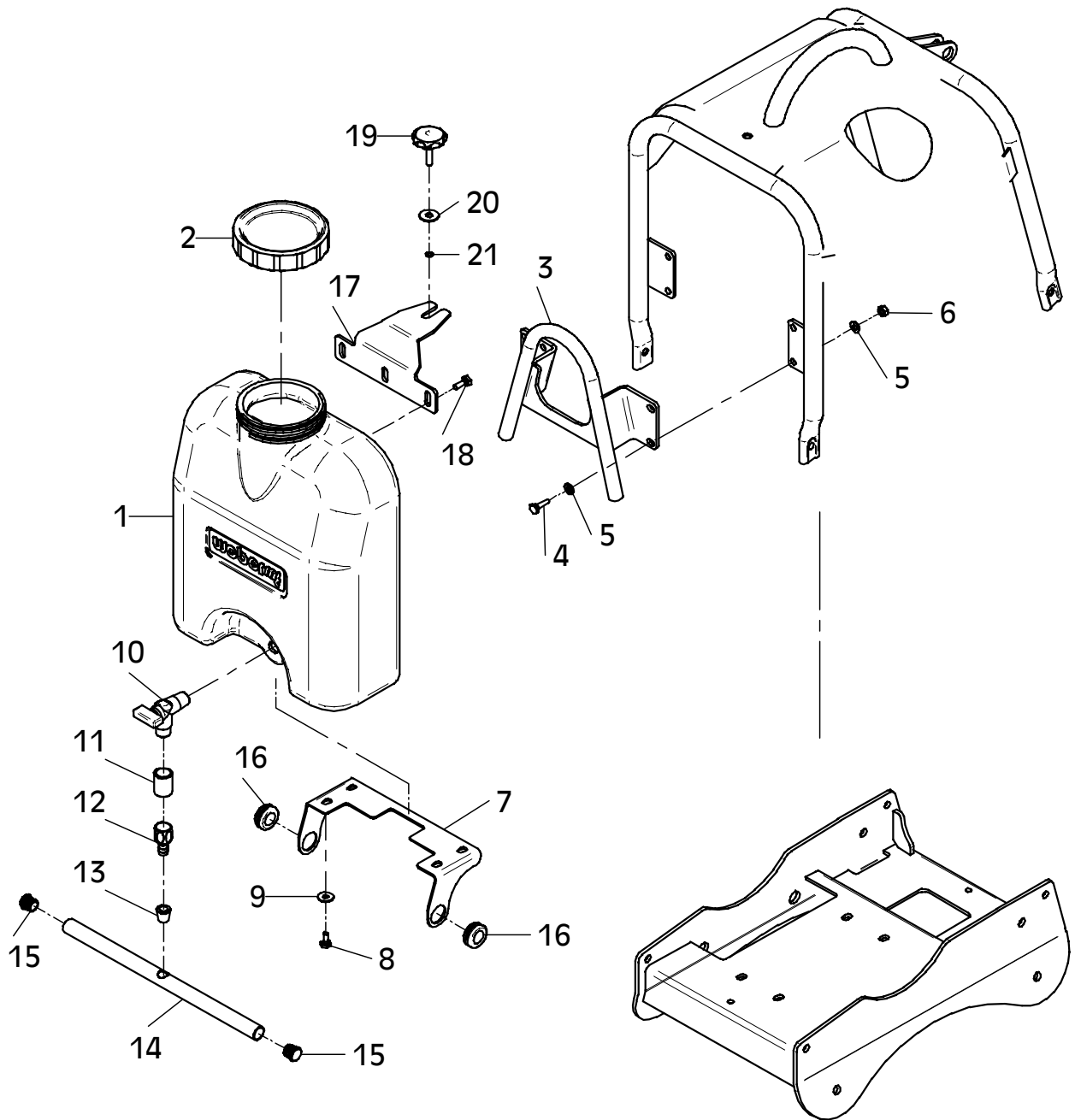
| Position Ref.No. Repère Posizione Posicion | Menge Quantity Quantité Quantità Cantidad | Teile-Nr. Part-No. No. Référence Nr. d'Ordine No. Referenzia | Hinweis Hints Indications Indicazione Indicaciones | Position Ref. No. Repère Posizione Posicion | Menge Quantity Quantité Quantità Cantidad | Teile-Nr. Part-No. No. Référence Nr. d'Ordine No. Referenzia | Hinweis Hints Indications Indicazione Indicaciones |
|--------------------------------------------------------|-------------------------------------------------------|--------------------------------------------------------------------------|----------------------------------------------------------------|---------------------------------------------------------|-------------------------------------------------------|--------------------------------------------------------------------------|----------------------------------------------------------------|
| 1 | 1 | 10017000 | | | | | |
| 2 | 2 | 10017002 | | | | | |
| 3 | 4 | 25040019 | DIN931-M12x55 | | | | |
| 4 | 4 | 25048004 | DIN125-A13 | | | | |
| 5 | 4 | 20029023 | SKB 12 | | | | |
| 6 | 4 | 25031005 | DIN934-M12 | | | | |



E 3076-0303

E 3124-0105

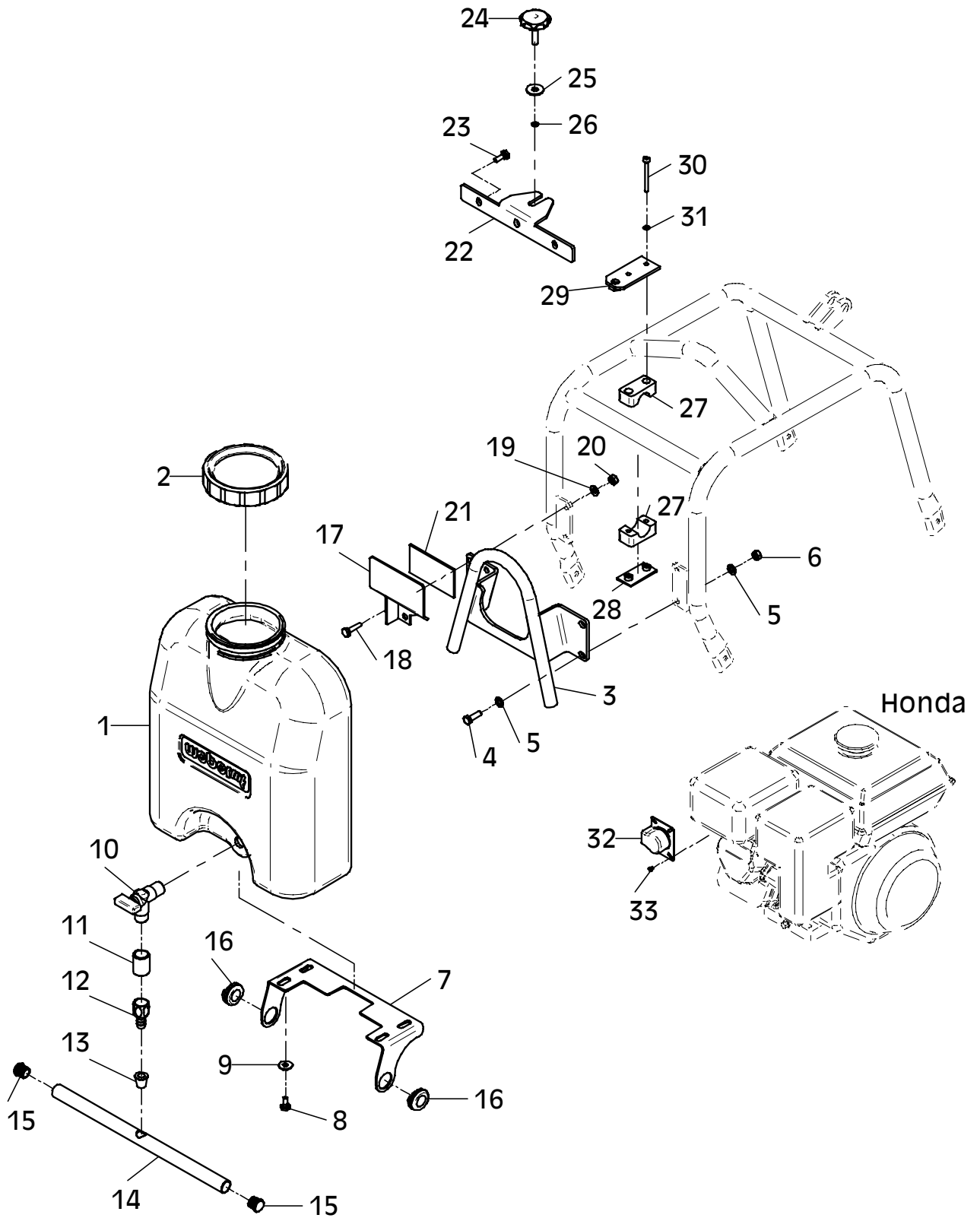
| Position Ref.No. Repère Posizione Posicion | Menge Quantity Quantité Quantita Cantidad | Teile-Nr. Part-No. No. Référence Nr. d'Ordine No. Referenzia | Hinweis Hints Indications Indicazione Indicaciones | Position Ref. No. Repère Posizione Posicion | Menge Quantity Quantité Quantita Cantidad | Teile-Nr. Part-No. No. Référence Nr. d'Ordine No. Referenzia | Hinweis Hints Indications Indicazione Indicaciones |
|--------------------------------------------------------|-------------------------------------------------------|--------------------------------------------------------------------------|----------------------------------------------------------------|---------------------------------------------------------|-------------------------------------------------------|--------------------------------------------------------------------------|----------------------------------------------------------------|
| 1 | 1 | 20026575 | | | | | |
| 2 | 1 | 20025719 | | | | | |
| 3 | 1 | 10022641 | | | | | |
| 4 | 4 | 25038008 | DIN933-M8x25 | | | | |
| 5 | 8 | 25048002 | DIN125-A8,4 | | | | |
| 6 | 4 | 25031003 | DIN934-M8 | | | | |
| 7 | 1 | 10017143 | | | | | |
| 8 | 4 | 25038006 | DIN933-M8x16 | | | | |
| 9 | 4 | 20029021 | SKB 8 | | | | |
| 10 | 1 | 20030018 | | | | | |
| 11 | 1 | 25025143 | | | | | |
| 12 | 1 | 20030012 | | | | | |
| 13 | 1 | 20013292 | | | | | |
| 14 | 1 | 10017142 | | | | | |
| 15 | 2 | 20026480 | | | | | |
| 16 | 2 | 20025775 | | | | | |
| 17 | 1 | 10017351 | | | | | |
| 18 | 3 | 25038007 | DIN933-M8x20 | | | | |
| 19 | 1 | 20025671 | | | | | |
| 20 | 1 | 20029022 | SKB 10 | | | | |
| 21 | 1 | 20025829 | | | | | |



E 3192-0610

| Position Ref.No. Repère Posizione Posicion | Menge Quantity Quantité Cantidad | Teile-Nr. Part-No. No. Référence Nr. d'Ordine No. Referenzia | Hinweis Hints Indications Indicazione Indicaciones | Position Ref. No. Repère Posizione Posicion | Menge Quantity Quantité Cantidad | Teile-Nr. Part-No. No. Référence Nr. d'Ordine No. Referenzia | Hinweis Hints Indications Indicazione Indicaciones |
|--------------------------------------------------------|-------------------------------------------|--------------------------------------------------------------------------|----------------------------------------------------------------|---------------------------------------------------------|-------------------------------------------|--------------------------------------------------------------------------|----------------------------------------------------------------|
| 1 | 1 | 20026575 | | 31 | 2 | 20029007 | VSK 6 |
| 2 | 1 | 20025719 | | 32 | 1 | 21000610 | Honda |
| 3 | 1 | 10022641 | | 33 | 2 | 20026389 | Honda |
| 4 | 3 | 25038008 | DIN933-M8x25 | | | | |
| 5 | 6 | 25048002 | DIN125-A8,4 | | | | |
| 6 | 3 | 25031003 | DIN934-M8 | | | | |
| 7 | 1 | 10017143 | | | | | |
| 8 | 4 | 25038006 | DIN933-M8x16 | | | | |
| 9 | 4 | 20029021 | SKB 8 | | | | |
| 10 | 1 | 20030018 | | | | | |
| 11 | 1 | 25025143 | | | | | |
| 12 | 1 | 20030012 | | | | | |
| 13 | 1 | 20013292 | | | | | |
| 14 | 1 | 10017142 | | | | | |
| 15 | 2 | 20026480 | | | | | |
| 16 | 2 | 20025775 | | | | | |
| 17 | 1 | 10022680 | | | | | |
| 18 | 2 | 25038008 | DIN933-M8x25 | | | | |
| 19 | 2 | 25048002 | DIN125-A8,4 | | | | |
| 20 | 2 | 25031003 | DIN934-M8 | | | | |
| 21 | 1 | 10017367 | | | | | |
| 22 | 1 | 10017352 | | | | | |
| 23 | 3 | 25038007 | DIN933-M8x20 | | | | |
| 24 | 1 | 20025671 | | | | | |
| 25 | 1 | 20029022 | SKB 10 | | | | |
| 26 | 1 | 20025829 | | | | | |
| 27 | 1 | 20007230 | | | | | |
| 28 | 1 | 20007231 | | | | | |
| 29 | 1 | 10022679 | | | | | |
| 30 | 2 | 25040001 | DIN931-M6x60 | | | | |

Robin / Honda



Wenn Sie Fragen, Anregungen, Probleme, usw. haben, wenden Sie sich bitte an eine der unten genannten Adressen:

For problems, questions and further information refer to one of the following addresses:

Si des questions, des suggestions, des problèmes ... survenaient, veuillez vous adresser a l'une des adresses - ci dessous

| | | |
|-------------------------------------------------------------------------------------------------------------------|----------------------------------------------------------------------------------------------------------------------------------------------------|-----------------------------------------------------------------------------------------------------------------------------------------------------------------------------------------------------------------------------------------------------------------------------------------------------------------|
| <p>in Deutschland</p> <p>in Germany</p> <p>Pour l' Allemagne</p> | <p>WEBER Maschinentechnik GmbH 57334 Bad Laasphe – Rückershausen Im Boden 5-8, 10</p> | <p>Telefon + 49 (0) 2754 - 398-0 Telefax + 49 (0) 2754 - 398101- Zentrale switchboard Central + 49 (0) 2754 - 398102- Ersatzteil-Direktlinie spare parts-directlinie Ligne direct pièces détachées</p> <p>E-Mail g.voelkel@webermt.de</p> |
| <p>in Frankreich</p> <p>in France</p> <p>Pour la France</p> | <p>WEBER Technologie SARL 26' rue d' Arsonval 69680 Chassieu</p> | <p>Telefon + 33 (0) 472 - 791020 Telefax + 33 (0) 472 - 791021</p> <p>E-Mail france@webermt.com</p> |
| <p>in Polen</p> <p>in Poland</p> <p>Pour la Pologne</p> | <p>WEBER Maschinentechnik Sp. zo.o. Ul. Grodziska 7 05-830 Stara Wies</p> | <p>Telefon + 48 (0) 22 - 739 70 - 80 Telefax + 48 (0) 22 - 739 70 - 81 + 48 (0) 22 - 739 70 - 82</p> <p>E-Mail info@webermt.com.pl</p> |
| <p>in USA und Kanada</p> <p>in USA and Canada</p> <p>Pour les Etats Unis Et le Canada</p> | <p>WEBER MT, Inc. 45 Dowd Road Bangor, ME 04401</p> | <p>Telefon + 1(207) - 947 - 4990 Telefax + 1(207) - 947 - 5452</p> <p>E-Mail sales@webermt.com service@webermt.com</p> |
| <p>in Süd – Amerika</p> <p>in South – America</p> <p>Pour l' Amérique du sud</p> | <p>WEBER Maschinentechnik do Brasil Máquinas Para Construção Ltda. Rua Curt Wacker, n° 45 93332 – 200 Novo Hamburgo, RS Brasil</p> | <p>Telefon + 55 (0) 51- 587 3044 Telefax + 55 (0) 51- 587 2271</p> <p>E-Mail webermt@webermt.com.br</p> |

